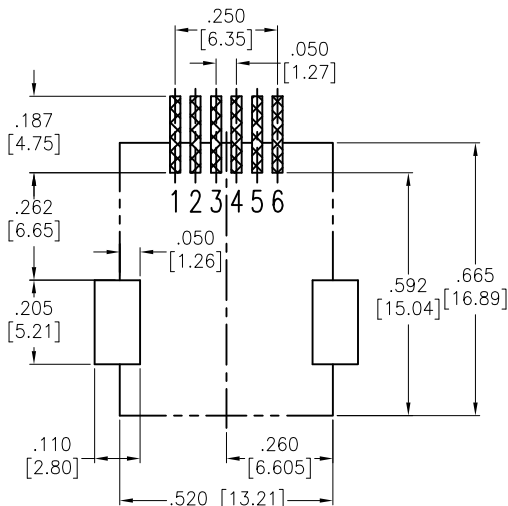
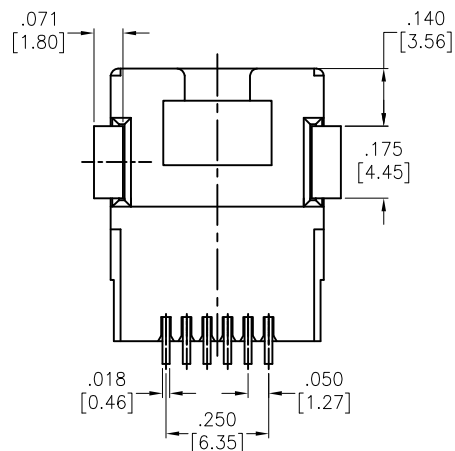
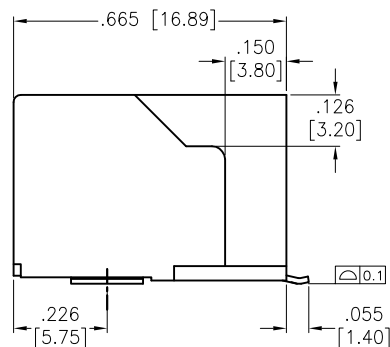
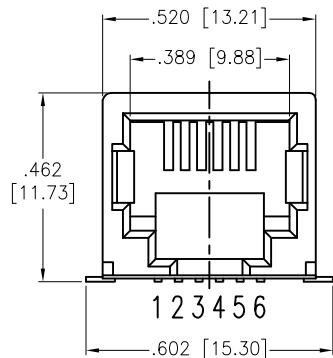


APPROVED: _____

DATE: _____ TITLE: _____

Rev	AWO #	Description	Date	Appr
-	7302	RELEASED	12/08/06	
A		REDRAWN	9/07/09	
B		UPDATE SPEC.	6/20/19	LH/TW
C		UPDATE DRAWING	2/12/20	LH/TY



RECOMMENDED PCB LAYOUT

SPECIFICATIONS:

Material:

Insulator: Hi-temp thermoplastic, rated UL 94V-0

Insulator color: Black

Contacts: Phosphor Bronze

Hold Down: Copper Alloy, Tin plated

Plating:

Gold over Nickel underplate on contact area

Gold flash over Nickel underplate on solder tails

Electrical:

Voltage Rating: 150 VAC max

Current rating: 1.5 Amps max

Contact Resistance: 20 mohms max.

Insulation resistance: 500 Mohms min @500 VDC

Dielectric withstanding voltage: 1000 Vrms for 1 minute

Temperature Rating:

Operating temperature: -40°C to +85°C

Environmental:

Lead free, RoHS compliant.



UNLESS OTHERWISE SPECIFIED
ALL DIMENSIONS ARE INCHES [MM]
TOLERANCES: EXCEPT AS NOTED
INCHES HOLES

.X	± .10	Ø.X	± .10
.XX	± .020	Ø.XX	± .015
.XXX	± .015	Ø.XXX	± .010

ADAM TECH INTERCONNECTS
909 Rahway Avenue,
Union, NJ 07083
Phone: 908-687-5000
Fax: 908-687-5710

TITLE		MODULAR TELEPHONE JACK, 6P6C SMT TYPE, SIDE ENTRY	
SIZE	PART NO.	REV.	
X	MTJ-66WBX1	C	
REF: S00065T		SCALE: NTS	SHEET 1 OF 1

APPROVALS		DATE
DRAWN	LH	2/12/20
CHECKED	TY	2/12/20
APPROVED		