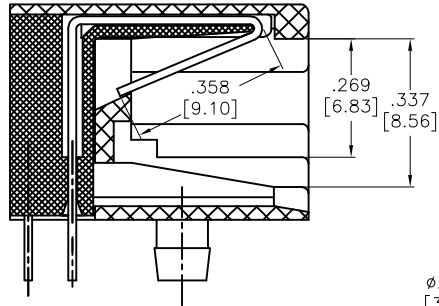
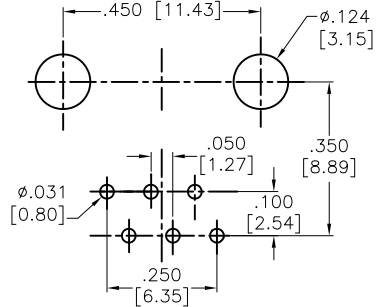
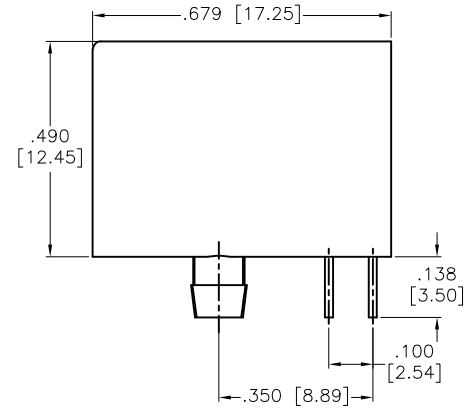
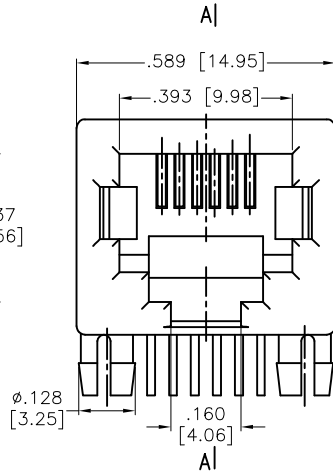


APPROVED: _____
 DATE: _____ TITLE: _____

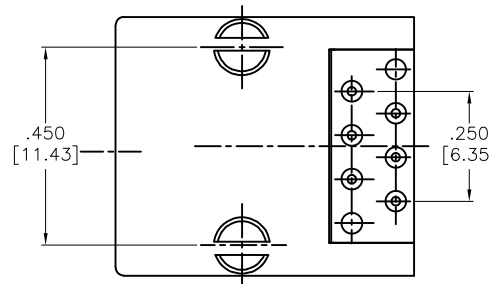
Rev	AWO #	Description	Date	Appr
-		RELEASED	10/4/04	
A		REDRAWN	11/25/13	AY/NP



SECTION A-A



RECOMMENDED PCB LAYOUT



SPECIFICATIONS:

Material:
 Insulator: PBT, rated UL 94V-0
 Insulator color: Black
 Contacts: Phosphor Bronze
 Contacts Plating:
 Round contact
 Gold over Nickel underplate overall
 Flat contact
 Gold Flash Nickel underplate on contact area,
 Tin over Nickel underplate on solder tails
Electrical:
 Voltage rating: 125 VAC
 Current rating: 1.5 Amp
 Contact resistance: 20 mohms max
 Insulation resistance: 1000 Mohms min @ 500 VDC
 Dielectric withstanding voltage: 1000 VAC or 1500 VDC for 1 minute
 Temperature Rating:
 Operating temperature: -40°C to +85°C
Environmental:
 Lead free, RoHS compliant

UNLESS OTHERWISE SPECIFIED
 ALL DIMENSIONS ARE INCHES [MM]
 TOLERANCES: EXCEPT AS NOTED
 INCHES HOLES
 .X ± .10 Ø.X ± .10
 .XX ± .020 Ø.XX ± .015
 .XXX ± .015 Ø.XXX ± .010

ADAM TECH

909 Rahway Avenue, Union, NJ 07083
 Phone: 908-687-5000 Fax: 908-687-5710

TITLE
**MODULAR TELEPHONE JACK, 6P6C
 RIGHT ANGLE, PCB**

APPROVALS		DATE
DRAWN	SS	10/4/04
CHECKED		
APPROVED		

SIZE	PART NO.	REV.
X	MTJ-669X1	A
REF: S00005C	SCALE: NTS	SHEET 1 OF 1