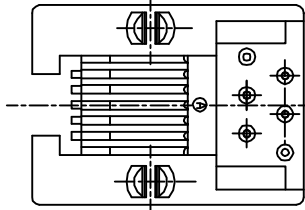
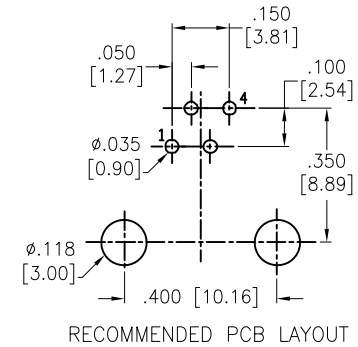
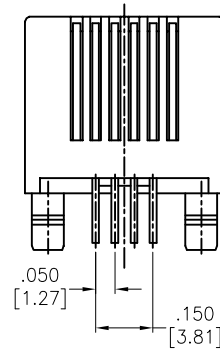
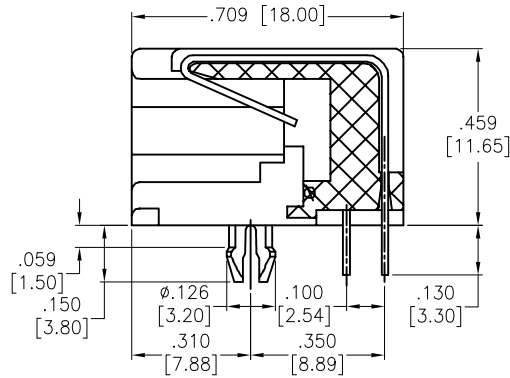
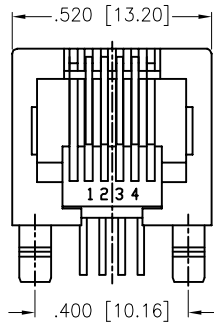
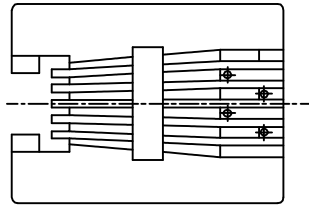


APPROVED: \_\_\_\_\_

DATE: \_\_\_\_\_ TITLE: \_\_\_\_\_

Rev	AWO #	Description	Date	Appr
-		RELEASED	10/4/04	
A		REVISED DIM.	2/05/10	
B		REDRAWN	04/27/12	
C		REVISED SHAPE	05/27/13	
D		UPDATED SPEC.	1/14/19	AY/TW



**SPECIFICATIONS:**

Material:  
 Insulator: PBT, rated UL 94V-0  
 Insulator color: Black  
 Contacts: Phosphor Bronze  
 Plating:  
 Round contact  
 Gold over Nickel underplate overall  
 Flat contact  
 Gold over Nickel underplate on contact area,  
 Tin over Nickel underplate on solder tails

Electrical:  
 Voltage rating: 125 VAC max  
 Current rating: 1.5 Amps max  
 Contact resistance: 35 mohms max  
 Insulation resistance: 1,000 Mohms min @ 500 VDC  
 Dielectric withstanding voltage: 1,000 VAC for 1 minute  
 Temperature Rating:  
 Operating temperature: -40°C to +85°C

Environmental:  
 Lead free, RoHS compliant.



UNLESS OTHERWISE SPECIFIED  
 ALL DIMENSIONS ARE INCHES [MM]  
 TOLERANCES: EXCEPT AS NOTED  
 INCHES HOLES  
 .X ± .10 Ø.X ± .10  
 .XX ± .020 Ø.XX ± .015  
 .XXX ± .015 Ø.XXX ± .010

**ADAM TECH INTERCONNECTS**  
 909 Rahway Avenue,  
 Union, NJ 07083  
 Phone: 908-687-5000  
 Fax: 908-687-5710

APPROVALS		DATE
DRAWN	SS	10/4/04
CHECKED		
APPROVED		

TITLE MODULAR TELEPHONE JACK, 6P4C RIGHT ANGLE, PCB		
SIZE X	PART NO. MTJ-645X1	REV. D
REF: S00005C	SCALE: NTS	SHEET 1 OF 1