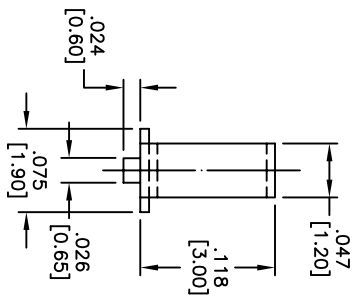
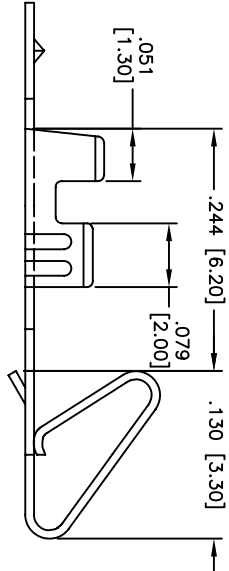
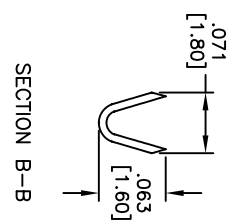
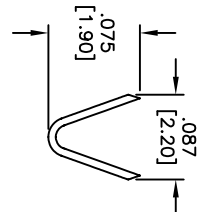
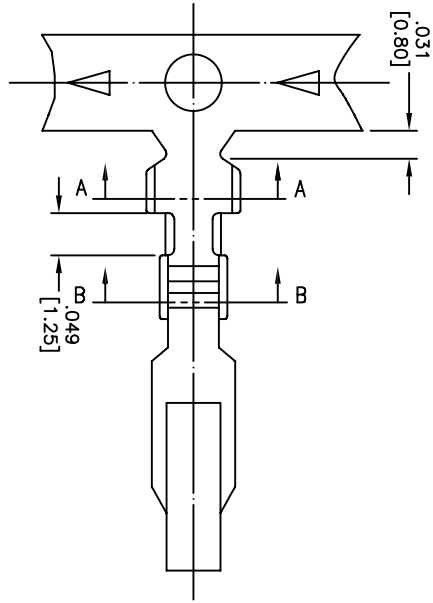


Rev	AWO #	Description	Date	Appr
-		RELEASED	4/8/05	
A		REVISED SPEC.	11/18/10	
B		REDRAWN	2/20/13	

APPROVED: \_\_\_\_\_  
 DATE: \_\_\_\_\_ TITLE: \_\_\_\_\_



**SPECIFICATIONS:**  
 Material: Brass, Tin plated  
 Contact: Brass, Tin plated  
 Electrical:  
 Operating voltage: 250 V AC/DC  
 Current rating: 3 A AC/DC  
 Contact resistance: 20 mohms max  
 Dielectric withstanding voltage: 1,000 VAC for 1 minute  
 Thickness: 0.2mm  
 Wire Range: AWG#22~#28  
 Insulation O.D.: 1.5mm  
 Temperature Rating:  
 Operating temperature: -25°C to +85°C

Packaging:  
 B = loose cut  
 R = tape and reel  
 Environmental:  
 Lead free, RoHS compliant

UNLESS OTHERWISE SPECIFIED  
 ALL DIMENSIONS ARE INCHES [MM]  
 TOLERANCES: EXCEPT AS NOTED  
 INCHES Holes ±.10  
 .X ±.10 ØX ±.10  
 .XX ±.020 ØXX ±.015  
 .XXX ±.015 ØXXX ±.010

**ADAM TECH**  
 909 Rahway Avenue, Union, NJ 07083  
 Phone: 908-687-5000 Fax: 908-687-5710

**CRIMP CONTACT**

DRAWN	SS	4/8/05
CHECKED		
APPROVED		

SIZE	PART NO.	REV.
X	MTA-C-X	B
REF:	S00016T	SHEET 1 OF 1
SCALE:	NTS	

