

6

5

4

3

2

1

APPROVED: \_\_\_\_\_  
DATE: \_\_\_\_\_ TITLE: \_\_\_\_\_

Rev	AWO #	Description	Date	Appr
-		RELEASED	8/16/21	

MMI-M1RSXXXP

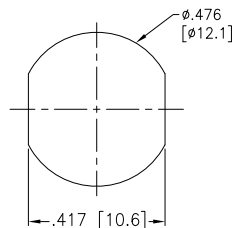
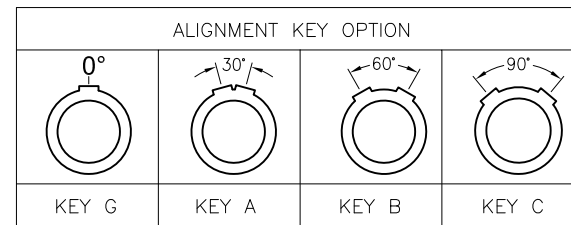
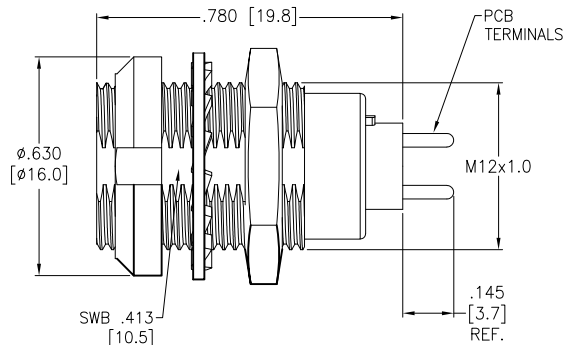
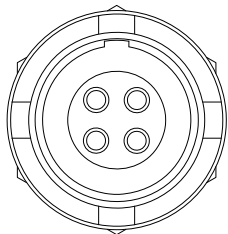
SIZE 1

ALIGNMENT KEY

- G = 0°
- A = 30°
- B = 60°
- C = 90°

# OF POSITIONS

(02, 03, 04, 05, 06, 07, 08, 10, 14 & 16)



Panel Cut-Out  
(Rear Panel Mounting)

Note: .295 [7.5] Max. Panel Thickness

	2 Pin	3 Pin	4 Pin	5 Pin	6 Pin	7 Pin	8 Pin	10 Pin	14 Pin	16 Pin
Configuration										
Diameter of Pin	Ø1.3	Ø1.3	Ø0.9	Ø0.9	Ø0.7	Ø0.7	Ø0.7	Ø0.5	Ø0.5	Ø0.5
Testing Voltage	1300V	1300V	1200V	1200V	1000V	1000V	1000V	800V	800V	800V
Working Voltage	300V	300V	250V	250V	200V	200V	200V	200V	200V	200V
Rated Current / Pin	9A	9A	8A	7A	5A	5A	5A	2A	2A	2A

SPECIFICATIONS:

Material:  
 Body: Brass, Natural Chrome Plated  
 Insulator: PPS, color Beige  
 Terminal: Brass, Gold Plated  
 Electrical:  
 Voltage Rating: 250V  
 Current Rating: See chart  
 Dielectric withstanding voltage: See chart  
 Electrical Life: 1,000 Cycles min.  
 Mechanical:  
 Endurance: 5,000 Cycles Min.  
 Temperature Rating:  
 Operating temperature: -55°C to +150°C  
 Environmental:  
 IP50 Protection (Mated Condition)  
 Lead free, RoHS compliant



UNLESS OTHERWISE SPECIFIED  
 ALL DIMENSIONS ARE INCHES [MM]  
 TOLERANCES: EXCEPT AS NOTED

.X	± .10	Ø.X	± .10
.XX	± .020	Ø.XX	± .015
.XXX	± .015	Ø.XXX	± .010

APPROVALS		DATE
DRAWN	SS	8/16/21
CHECKED	SS	8/16/21
APPROVED		

**ADAM TECH** 909 Rahway Avenue,  
 Union, NJ 07083  
 Phone: 908-687-5000  
 Fax: 908-687-5710

TITLE: PUSH-PULL SOCKET, VERTICAL, SIZE 1, METAL BODY, REAR PANEL MOUNT, PCB TERMINALS, IP50

SIZE X	PART NO. MMI-M1RSXXXP	REV. -
REF: SXXXXX	SCALE: NTS	SHEET 1 OF 2

6

5

4

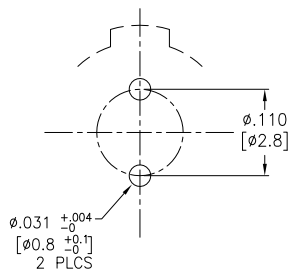
3

2

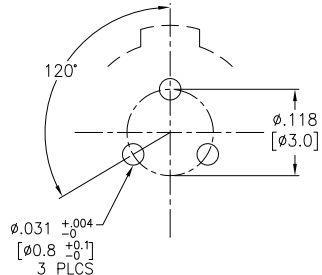
1

APPROVED: \_\_\_\_\_  
 DATE: \_\_\_\_\_ TITLE: \_\_\_\_\_

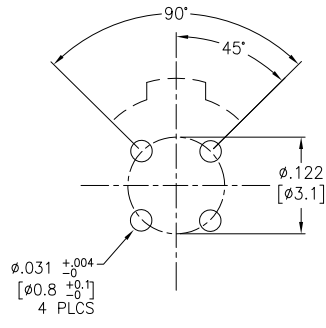
Rev	AWO #	Description	Date	Appr
-		RELEASED	8/16/21	



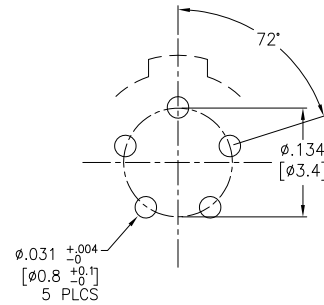
2 PIN



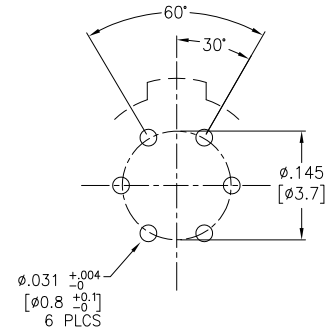
3 PIN



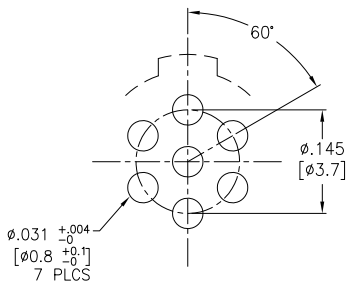
4 PIN



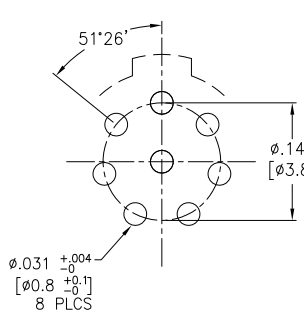
5 PIN



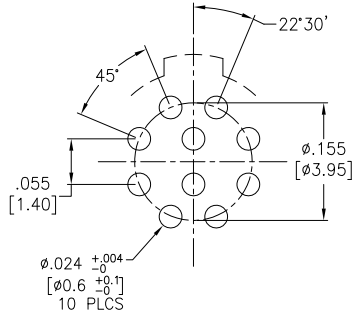
6 PIN



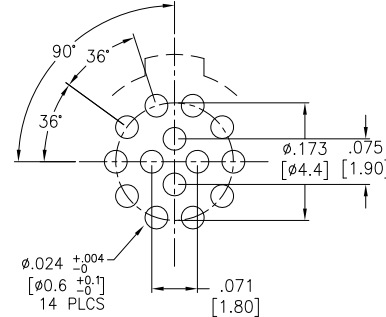
7 PIN



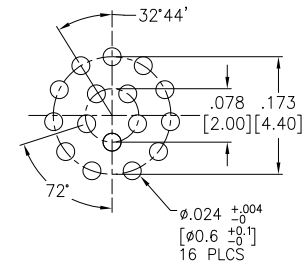
8 PIN



10 PIN



14 PIN



16 PIN

UNLESS OTHERWISE SPECIFIED  
 ALL DIMENSIONS ARE INCHES [MM]  
 TOLERANCES: EXCEPT AS NOTED  
 INCHES HOLES

.X	$\pm .10$	$\phi$ .X	$\pm .10$
.XX	$\pm .020$	$\phi$ .XX	$\pm .015$
.XXX	$\pm .015$	$\phi$ .XXX	$\pm .010$

**ADAM**  
**TECH**

909 Rahway Avenue,  
 Union, NJ 07083  
 Phone: 908-687-5000  
 Fax: 908-687-5710

TITLE  
 PUSH-PULL SOCKET, VERTICAL, SIZE 1, METAL BODY,  
 REAR PANEL MOUNT, PCB TERMINALS, IP50

APPROVALS		DATE
DRAWN	SS	8/16/21
CHECKED	SS	8/16/21
APPROVED		

SIZE X	PART NO. MMI-M1RSXXXP	REV. -
REF: SXXXXXX	SCALE: NTS	SHEET 2 OF 2