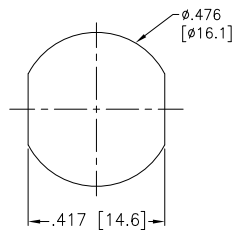
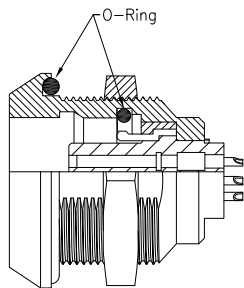
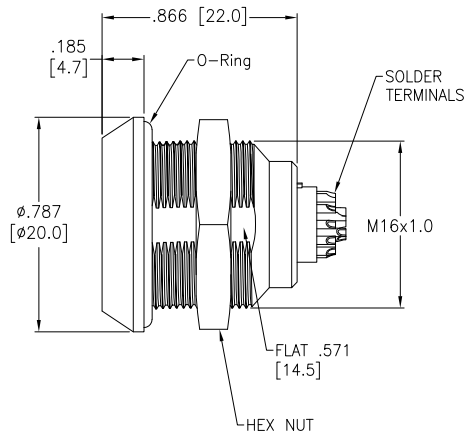
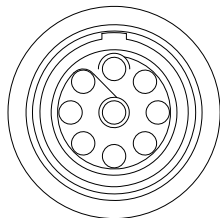


APPROVED: _____
 DATE: _____ TITLE: _____

Rev	AWO #	Description	Date	Appr
-		RELEASED	8/16/21	



Panel Cut-Out
(Front Panel Mounting)

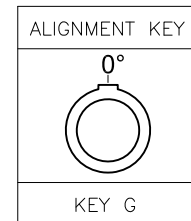
Note: .354 [9.0] Max. Panel Thickness

MMI-M1RSGXXS-IP67

SIZE 1

ALIGNMENT KEY
G = 0°

OF POSITIONS
(02, 03, 04, 05, 06, 07, 10, 14 & 16)



	2 Pin	3 Pin	4 Pin	5 Pin	6 Pin	7 Pin	10 Pin	14 Pin	16 Pin
Configuration									
Diameter of Pin	$\phi 1.3$	$\phi 1.3$	$\phi 0.9$	$\phi 0.9$	$\phi 0.7$	$\phi 0.7$	$\phi 0.5$	$\phi 0.5$	$\phi 0.5$
Testing Voltage	1300V	1300V	1200V	1200V	1000V	1000V	800V	800V	800V
Working Voltage	300V	300V	250V	250V	200V	200V	200V	200V	200V
Rated Current / Pin	9A	9A	8A	7A	5A	5A	2A	2A	2A

SPECIFICATIONS:

Material:
 Body: Brass, Natural Chrome Plated
 Insulator: PPS, color Beige
 Terminal: Brass, Gold Plated
 O-Ring: Silicone

Electrical:
 Voltage Rating: 250V
 Current Rating: See chart
 Dielectric withstanding voltage: See chart
 Electrical Life: 1,000 Cycles min.

Mechanical:
 Endurance: 5,000 Cycles Min.
 Temperature Rating:
 Operating temperature: -55°C to +150°C

Environmental:
 IP67 Protection (Panel and Mated Condition)
 Lead free, RoHS compliant



UNLESS OTHERWISE SPECIFIED
 ALL DIMENSIONS ARE INCHES [MM]
 TOLERANCES: EXCEPT AS NOTED

INCHES	HOLES
.X ± .10	Ø.X ± .10
.XX ± .020	Ø.XX ± .015
.XXX ± .015	Ø.XXX ± .010



909 Rahway Avenue,
 Union, NJ 07083
 Phone: 908-687-5000
 Fax: 908-687-5710

APPROVALS		DATE
DRAWN	SS	8/16/21
CHECKED	SS	8/16/21
APPROVED		

TITLE PUSH-PULL SOCKET, VERTICAL, SIZE 1, METAL BODY, REAR PANEL MOUNT, SOLDER TERMINAL, IP67			
SIZE X	PART NO. MMI-M1RSGXXS-IP67	REV. -	
REF: SXXXXX	SCALE: NTS	SHEET 1 OF 1	