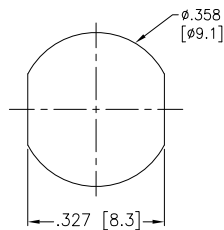
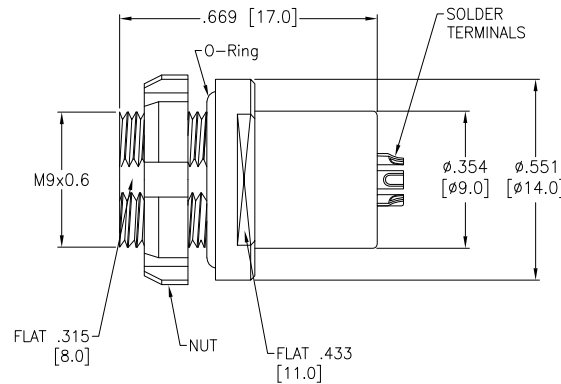
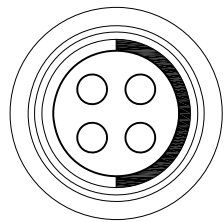


APPROVED: _____
 DATE: _____ TITLE: _____

| | | | | |
|-----|-------|-------------|---------|------|
| Rev | AWO # | Description | Date | Appr |
| - | | RELEASED | 8/16/21 | |



Panel Cut-Out
(Rear Panel Mounting)

MMI-MORSXXXS-IP68

SIZE 0

| | |
|--------|----------|
| CODING | |
| 1 | = CODE 1 |
| 2 | = CODE 2 |
| 3 | = CODE 3 |

OF POSITIONS
02, 03, 04, 05, & 07

| CODING OPTIONS | | |
|----------------|--------|--------|
| | | |
| CODE 1 | CODE 2 | CODE 3 |

| | 2 Pin | 3 Pin | 4 Pin | 5 Pin | 7 Pin |
|---------------------|-------|-------|-------|-------|-------|
| Configuration | | | | | |
| Diameter of Pin | ø0.9 | ø0.9 | ø0.7 | ø0.7 | ø0.5 |
| Testing Voltage | 1200V | 1200V | 1000V | 1000V | 800V |
| Working Voltage | 250V | 250V | 200V | 200V | 200V |
| Rated Current / Pin | 8A | 7A | 5A | 5A | 2A |

SPECIFICATIONS:

Material:
 Body: Brass, Natural Chrome Plated
 Insulator: PPS, color Beige
 Terminal: Brass, Gold Plated
 O-Ring: Silicone

Electrical:
 Voltage Rating: 250V
 Current Rating: See chart
 Dielectric withstanding voltage: See chart
 Electrical Life: 1,000 Cycles min.

Mechanical:
 Endurance: 5,000 Cycles Min.
 Temperature Rating:
 Operating temperature: -55°C to +150°C

Environmental:
 IP68 Protection (Panel and Mated Condition)
 Lead free, RoHS compliant



| UNLESS OTHERWISE SPECIFIED ALL DIMENSIONS ARE INCHES [MM] TOLERANCES: EXCEPT AS NOTED | | |
|---|--------------|---------|
| INCHES | | HOLES |
| .X ± .10 | ø.X ± .10 | |
| .XX ± .020 | ø.XX ± .015 | |
| .XXX ± .015 | ø.XXX ± .010 | |
| APPROVALS | | DATE |
| DRAWN | SS | 8/16/21 |
| CHECKED | SS | 8/16/21 |
| APPROVED | | |



909 Rahway Avenue,
 Union, NJ 07083
 Phone: 908-687-5000
 Fax: 908-687-5710

TITLE
 PUSH-PULL SOCKET, VERTICAL, SIZE 0, METAL BODY,
 FRONT PANEL MOUNT, SOLDER TERMINAL, IP68

| | | |
|-------------|-------------------------------|--------------|
| SIZE X | PART NO. MMI-MORSXXXS-IP68 | REV. - |
| REF: SXXXXX | SCALE: NTS | SHEET 1 OF 1 |