

6

5

4

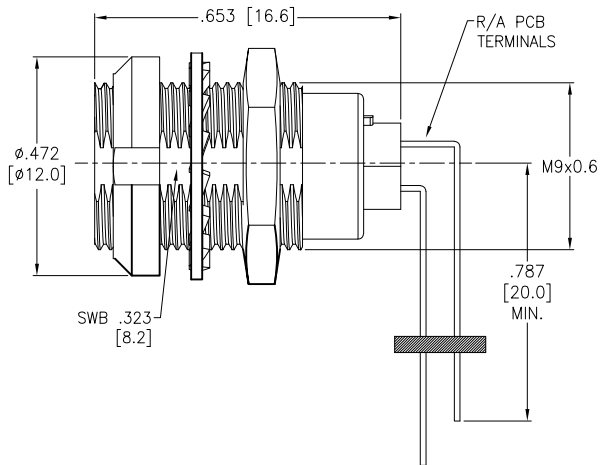
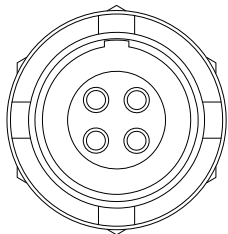
3

2

1

APPROVED: \_\_\_\_\_  
 DATE: \_\_\_\_\_ TITLE: \_\_\_\_\_

Rev	AWO #	Description	Date	Appr
-		RELEASED	8/16/21	



MMI-MORSXXXXPR

SIZE 0

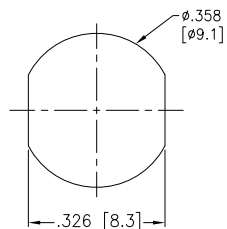
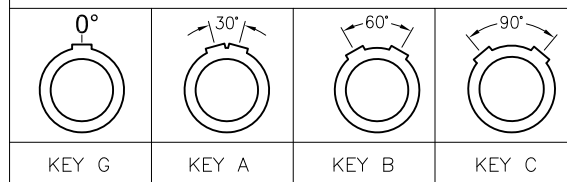
ALIGNMENT KEY

- G = 0°
- A = 30°
- B = 60°
- C = 90°

# OF POSITIONS

(02, 03, 04, 05, 06, 07 & 09)

ALIGNMENT KEY OPTION



Panel Cut-Out  
(Rear Panel Mounting)

Note: .216 [5.5] Max. Panel Thickness

SPECIFICATIONS:

Material:  
 Body: Brass, Natural Chrome Plated  
 Insulator: PPS, color Beige  
 Terminal: Brass, Gold Plated  
 Electrical:  
 Voltage Rating: 250V  
 Current Rating: See chart  
 Dielectric withstanding voltage: See chart  
 Electrical Life: 1,000 Cycles min.  
 Mechanical:  
 Endurance: 5,000 Cycles Min.  
 Temperature Rating:  
 Operating temperature: -55°C to +150°C  
 Environmental:  
 IP50 Protection (Mated Condition)  
 Lead free, RoHS compliant



	2 Pin	3 Pin	4 Pin	5 Pin	6 Pin	7 Pin	9 Pin
Configuration							
Diameter of Pin	$\phi 0.9$	$\phi 0.9$	$\phi 0.7$	$\phi 0.7$	$\phi 0.5$	$\phi 0.5$	$\phi 0.5$
Testing Voltage	1200V	1200V	1000V	1000V	900V	800V	800V
Working Voltage	250V	250V	200V	200V	200V	200V	200V
Rated Current / Pin	8A	7A	5A	5A	2.5A	2A	2A

UNLESS OTHERWISE SPECIFIED  
 ALL DIMENSIONS ARE INCHES [MM]  
 TOLERANCES: EXCEPT AS NOTED

INCHES		HOLES	
.X	± .10	$\phi$ .X	± .10
.XX	± .020	$\phi$ .XX	± .015
.XXX	± .015	$\phi$ .XXX	± .010

APPROVALS		DATE
DRAWN	SS	8/16/21
CHECKED	SS	8/16/21
APPROVED		



909 Rahway Avenue,  
 Union, NJ 07083  
 Phone: 908-687-5000  
 Fax: 908-687-5710

TITLE  
 PUSH-PULL SOCKET, VERTICAL, SIZE 0, METAL BODY,  
 REAR PANEL MOUNT, R/A PCB TERMINALS, IP50

SIZE X	PART NO. MMI-MORSXXXXPR	REV. -
REF: SXXXXX	SCALE: NTS	SHEET 1 OF 2

6

5

4

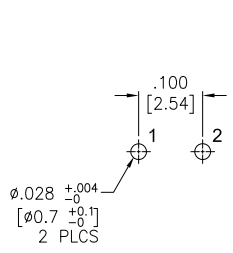
3

2

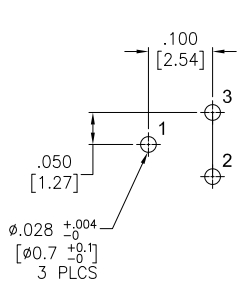
1

APPROVED: \_\_\_\_\_  
 DATE: \_\_\_\_\_ TITLE: \_\_\_\_\_

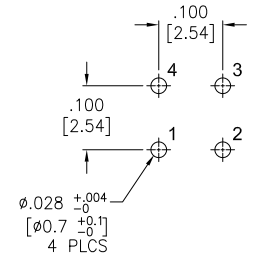
Rev	AWO #	Description	Date	Appr
-		RELEASED	8/16/21	



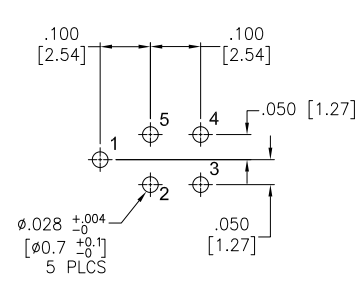
2 PIN



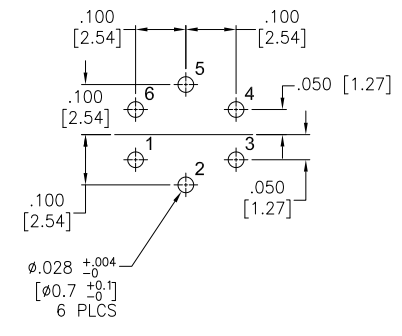
3 PIN



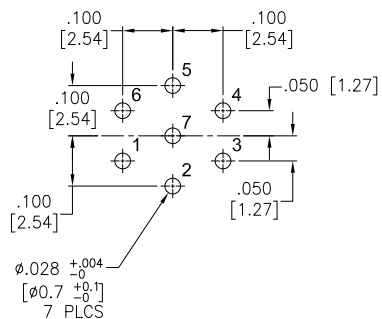
4 PIN



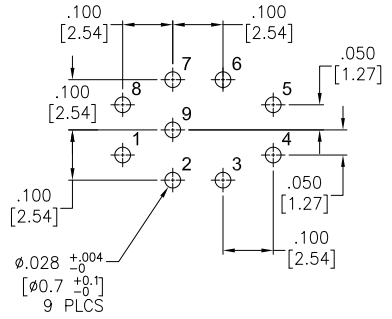
5 PIN



6 PIN



7 PIN



9 PIN

UNLESS OTHERWISE SPECIFIED  
 ALL DIMENSIONS ARE INCHES [MM]  
 TOLERANCES: EXCEPT AS NOTED  
 INCHES HOLES  
 .X ± .10 Ø.X ± .10  
 .XX ± .020 Ø.XX ± .015  
 .XXX ± .015 Ø.XXX ± .010

**ADAM TECH** 909 Rahway Avenue,  
 Union, NJ 07083  
 Phone: 908-687-5000  
 Fax: 908-687-5710

APPROVALS		DATE
DRAWN	SS	8/16/21
CHECKED	SS	8/16/21
APPROVED		

TITLE PUSH-PULL SOCKET, VERTICAL, SIZE 0, METAL BODY, REAR PANEL MOUNT, R/A PCB TERMINALS, IP50		
SIZE X	PART NO. MMI-MORSXXXPR	REV. -
REF: SXXXXXX	SCALE: NTS	SHEET 2 OF 2