

6

5

4

3

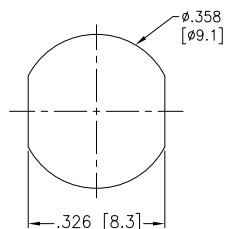
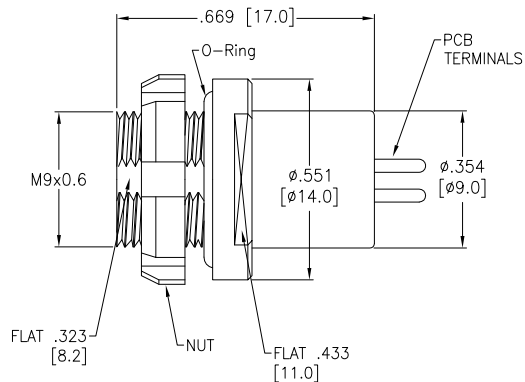
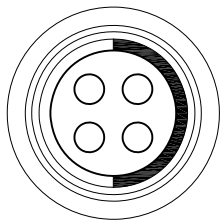
2

1

APPROVED: _____

DATE: _____ TITLE: _____

Rev	AWO #	Description	Date	Appr
-		RELEASED	8/16/21	



Panel Cut-Out
(Rear Panel Mounting)

MMI-MORSXXXP-IP68

SIZE 0

CODING

1 = CODE 1

2 = CODE 2

3 = CODE 3

OF POSITIONS

02, 03, 04, 05, & 07

CODING OPTIONS



CODE 1



CODE 2



CODE 3

	2 Pin	3 Pin	4 Pin	5 Pin	7 Pin
Configuration					
Diameter of Pin	ø0.9	ø0.9	ø0.7	ø0.7	ø0.5
Testing Voltage	1200V	1200V	1000V	1000V	800V
Working Voltage	250V	250V	200V	200V	200V
Rated Current / Pin	8A	7A	5A	5A	2A

SPECIFICATIONS:

Material:

Body: Brass, Natural Chrome Plated

Insulator: PPS, color Beige

Terminal: Brass, Gold Plated

Electrical:

Voltage Rating: 250V

Current Rating: See chart

Dielectric withstanding voltage: See chart

Electrical Life: 1,000 Cycles min.

Mechanical:

Endurance: 5,000 Cycles Min.

Temperature Rating:

Operating temperature: -55°C to +150°C

Environmental:

IP68 Protection (Mated Condition)

Lead free, RoHS compliant



UNLESS OTHERWISE SPECIFIED
ALL DIMENSIONS ARE INCHES [MM]
TOLERANCES: EXCEPT AS NOTED

INCHES		HOLES	
.X	± .10	ø.X	±.10
.XX	± .020	ø.XX	±.015
.XXX	± .015	ø.XXX	±.010

APPROVALS		DATE
DRAWN	SS	8/16/21
CHECKED	SS	8/16/21
APPROVED		



909 Rahway Avenue,
Union, NJ 07083
Phone: 908-687-5000
Fax: 908-687-5710

TITLE
PUSH-PULL SOCKET, VERTICAL, SIZE 0, METAL BODY,
REAR PANEL MOUNT, PCB TERMINALS, IP68

SIZE X	PART NO. MMI-MORSXXXP-IP68	REV. -
REF: SXXXXX	SCALE: NTS	SHEET 1 OF 2

6

5

4

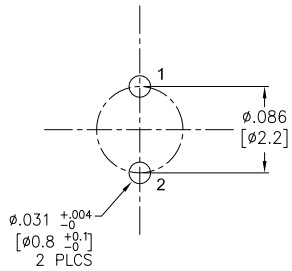
3

2

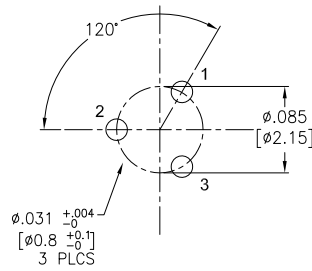
1

APPROVED: _____
 DATE: _____ TITLE: _____

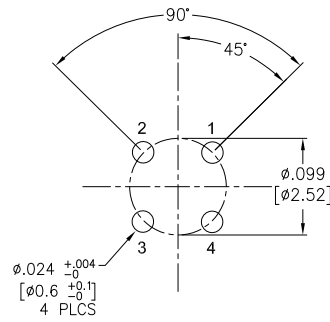
Rev	AWO #	Description	Date	Appr
-		RELEASED	8/16/21	



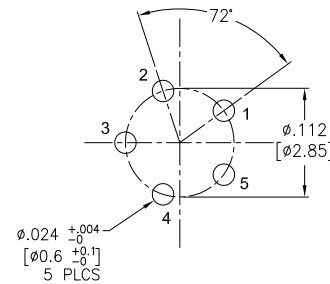
2 PIN



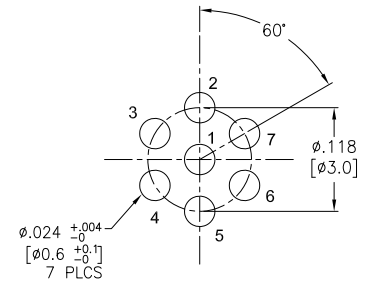
3 PIN



4 PIN



5 PIN



7 PIN

UNLESS OTHERWISE SPECIFIED
 ALL DIMENSIONS ARE INCHES [MM]
 TOLERANCES: EXCEPT AS NOTED
 INCHES HOLES
 .X ± .10 Ø.X ± .10
 .XX ± .020 Ø.XX ± .015
 .XXX ± .015 Ø.XXX ± .010



909 Rahway Avenue,
 Union, NJ 07083
 Phone: 908-687-5000
 Fax: 908-687-5710

APPROVALS		DATE
DRAWN	SS	8/16/21
CHECKED	SS	8/16/21
APPROVED		

TITLE
 PUSH-PULL SOCKET, VERTICAL, SIZE 0, METAL BODY,
 REAR PANEL MOUNT, PCB TERMINALS, IP68

SIZE X	PART NO. MMI-MORSXXXP-IP68	REV. -
REF: SXXXXXX	SCALE: NTS	SHEET 2 OF 2