

6

5

4

3

2

1

APPROVED: _____

DATE: _____ TITLE: _____

Rev	AWO #	Description	Date	Appr
-		RELEASED	8/16/21	

MMI-MORSXXXXP

SIZE 0

ALIGNMENT KEY

G = 0°

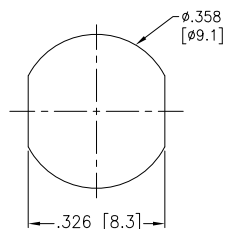
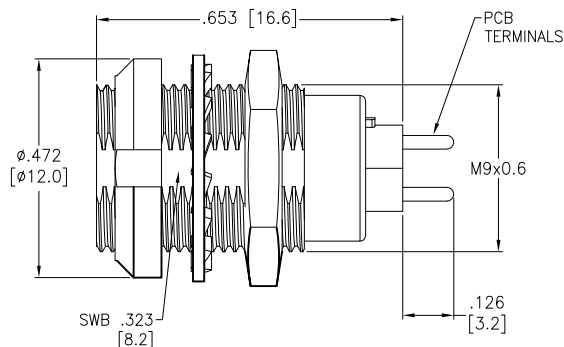
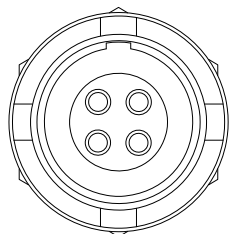
A = 30°

B = 60°

C = 90°

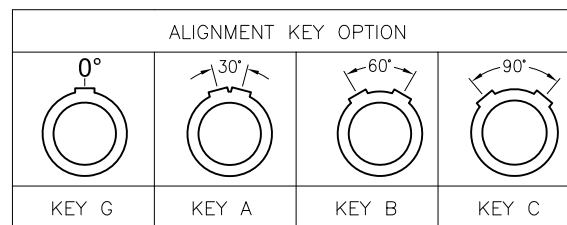
OF POSITIONS

(02, 03, 04, 05, 06, 07 & 09)



Panel Cut-Out (Rear Panel Mounting)

Note: .216 [5.5] Max. Panel Thickness



	2 Pin	3 Pin	4 Pin	5 Pin	6 Pin	7 Pin	9 Pin
Configuration							
Diameter of Pin	$\phi 0.9$	$\phi 0.9$	$\phi 0.7$	$\phi 0.7$	$\phi 0.5$	$\phi 0.5$	$\phi 0.5$
Testing Voltage	1200V	1200V	1000V	1000V	900V	800V	800V
Working Voltage	250V	250V	200V	200V	200V	200V	200V
Rated Current / Pin	8A	7A	5A	5A	2.5A	2A	2A

SPECIFICATIONS:

Material:

Body: Brass, Natural Chrome Plated

Insulator: PPS, color Beige

Terminal: Brass, Gold Plated

Electrical:

Voltage Rating: 250V

Current Rating: See chart

Dielectric withstanding voltage: See chart

Electrical Life: 1,000 Cycles min.

Mechanical:

Endurance: 5,000 Cycles Min.

Temperature Rating:

Operating temperature: -55°C to +150°C

Environmental:

IP50 Protection (Mated Condition)

Lead free, RoHS compliant



UNLESS OTHERWISE SPECIFIED
ALL DIMENSIONS ARE INCHES [MM]
TOLERANCES: EXCEPT AS NOTED

INCHES		HOLES	
.X	± .10	Ø.X	± .10
.XX	± .020	Ø.XX	± .015
.XXX	± .015	Ø.XXX	± .010

APPROVALS		DATE
DRAWN	SS	8/16/21
CHECKED	SS	8/16/21
APPROVED		



909 Rahway Avenue,
Union, NJ 07083
Phone: 908-687-5000
Fax: 908-687-5710

TITLE
PUSH-PULL SOCKET, VERTICAL, SIZE 0, METAL BODY,
REAR PANEL MOUNT, PCB TERMINALS, IP50

SIZE X	PART NO. MMI-MORSXXXXP	REV. -
REF: SXXXXX	SCALE: NTS	SHEET 1 OF 2

6

5

4

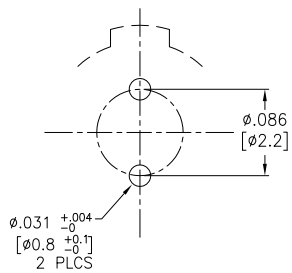
3

2

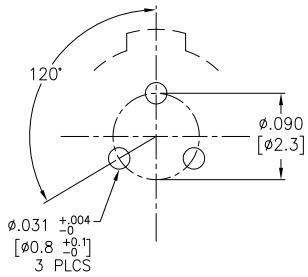
1

APPROVED: _____
 DATE: _____ TITLE: _____

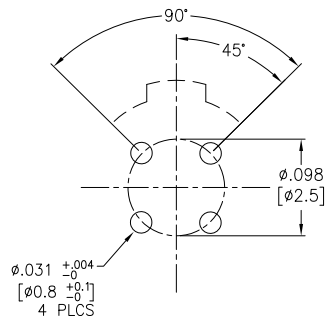
Rev	AWO #	Description	Date	Appr
-		RELEASED	8/16/21	



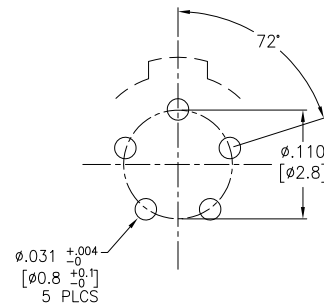
2 PIN



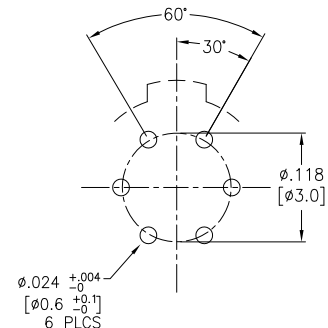
3 PIN



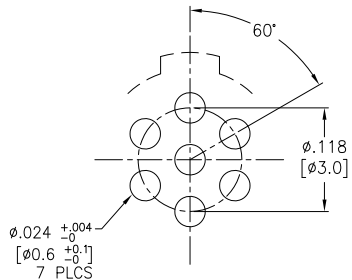
4 PIN



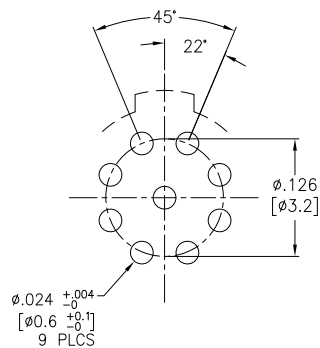
5 PIN



6 PIN



7 PIN



9 PIN

UNLESS OTHERWISE SPECIFIED
 ALL DIMENSIONS ARE INCHES [MM]
 TOLERANCES: EXCEPT AS NOTED
 INCHES HOLES
 .X ± .10 Ø.X ± .10
 .XX ± .020 Ø.XX ± .015
 .XXX ± .015 Ø.XXX ± .010

ADAM
TECH

909 Rahway Avenue,
 Union, NJ 07083
 Phone: 908-687-5000
 Fax: 908-687-5710

APPROVALS		DATE
DRAWN	SS	8/16/21
CHECKED	SS	8/16/21
APPROVED		

TITLE PUSH-PULL SOCKET, VERTICAL, SIZE 0, METAL BODY, REAR PANEL MOUNT, PCB TERMINALS, IP50		
SIZE X	PART NO. MMI-MORSXXXP	REV. -
REF: SXXXXXX	SCALE: NTS	SHEET 2 OF 2