

APPROVED: _____
 DATE: _____ TITLE: _____

Rev	AWO #	Description	Date	Appr
-		RELEASED	8/16/21	

MMI-MOPXXXSXXB-IP68

CODING
1 = CODE 1
2 = CODE 2
3 = CODE 3

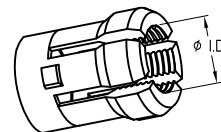
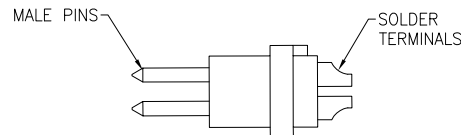
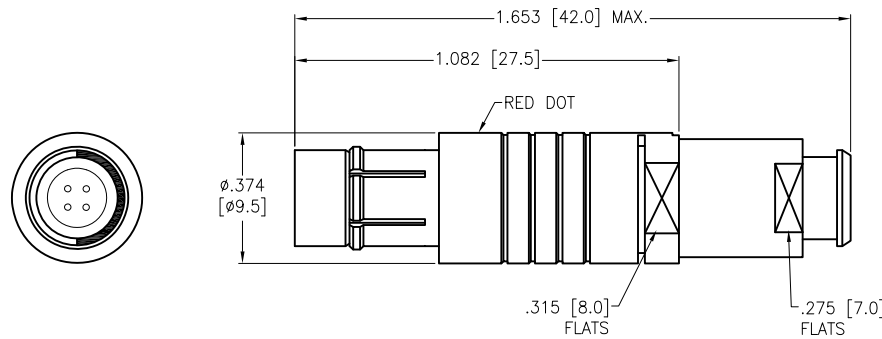
CABLE COLLET SIZE
32 = 2.2mm ~ 3.2mm ID
42 = 3.2mm ~ 4.2mm ID
52 = 4.2mm ~ 5.2mm ID

OF POSITIONS
 02, 03, 04, 05,
 & 07

NOTE: BEND RELIEF
 MUST BE ORDERED
 SEPARATELY
 SEE MMI-BR0-XX-XX-X

CODING OPTIONS		
CODE 1	CODE 2	CODE 3

	2 Pin	3 Pin	4 Pin	5 Pin	7 Pin
Configuration					
Diameter of Pin	Ø0.9	Ø0.9	Ø0.7	Ø0.7	Ø0.5
Testing Voltage	1200V	1100V	900V	900V	700V
Working Voltage	350V	300V	250V	250V	200V
Rated Current / Pin	8A	8A	5A	5A	3A



DETAIL

CABLE COLLET

SPECIFICATIONS:

Material:
 Housing (Body): Brass, Natural Chrome plated
 Insulator: PPS
 Terminal: Brass, Gold Plated
 Electrical:
 Voltage Rating: 250V
 Current Rating: See chart
 Dielectric withstanding voltage: See chart
 Electrical Life: 5,000 Cycles min.
 Temperature Rating:
 Operating temperature: -55°C to +150°C
 Environmental:
 IP68 Protection (Mated Condition)
 Lead free, RoHS compliant



UNLESS OTHERWISE SPECIFIED
 ALL DIMENSIONS ARE INCHES [MM]
 TOLERANCES: EXCEPT AS NOTED
 INCHES HOLES
 .X ± .10 Ø.X ± .10
 .XX ± .020 Ø.XX ± .015
 .XXX ± .015 Ø.XXX ± .010

APPROVALS		DATE
DRAWN	SS	8/16/21
CHECKED	SS	8/16/21
APPROVED		

ADAM TECH
 909 Rahway Avenue,
 Union, NJ 07083
 Phone: 908-687-5000
 Fax: 908-687-5710

TITLE	PUSH-PULL CONNECTOR MALE PLUG, METAL, SIZE 0, SOLDER TERMINAL, BEND RELIEF TYPE, IP68		
SIZE	X	PART NO.	MMI-MOPXXXSXXB-IP68
REV.	-	REF:	SXXXXX
		SCALE:	NTS
			SHEET 1 OF 1