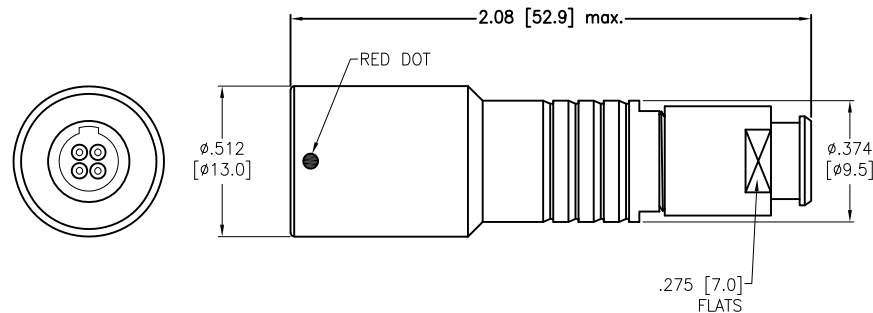


APPROVED: \_\_\_\_\_  
 DATE: \_\_\_\_\_ TITLE: \_\_\_\_\_

Rev	AWO #	Description	Date	Appr
-		RELEASED	8/16/21	



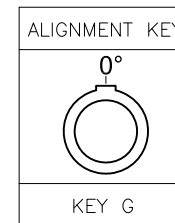
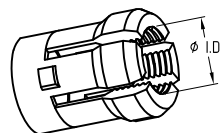
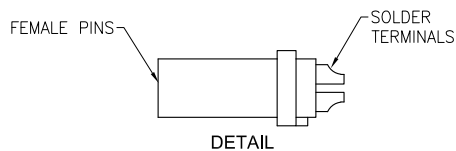
NOTE; BEND RELIEF  
 MUST BE ORDERED  
 SEPARATELY  
 SEE MMI-BR0-XX-XX-X

MMI-MOFGXXSXXB-IP67

ALIGNMENT KEY  
 G = 0

# OF POSITIONS  
 02, 03, 04, 05,  
 06, 07 & 09

CABLE COLLET SIZE	
32	= 2.2mm ~ 3.2mm ID
42	= 3.2mm ~ 4.2mm ID
45	= 3.5mm ~ 4.5mm ID
52	= 4.2mm ~ 5.2mm ID



	2 Pin	3 Pin	4 Pin	5 Pin	6 Pin	7 Pin	9 Pin
Configuration							
Diameter of Pin	0.9	0.9	0.7	0.7	0.5	0.5	0.5
Testing Voltage	1200V	1200V	1000V	1000V	900V	800V	800V
Working Voltage	250V	250V	200V	200V	200V	200V	200V
Rated Current / Pin	8A	7A	5A	5A	2.5A	2A	2A

SPECIFICATIONS:

Material:  
 Housing (Body): Brass, Natural Chrome plated  
 Insulator: PPS  
 Terminal: Brass, Gold Plated  
 Electrical:  
 Voltage Rating: 250V  
 Current Rating: See chart  
 Dielectric withstanding voltage: See chart  
 Electrical Life: 5,000 Cycles min.  
 Temperature Rating:  
 Operating temperature: -55°C to +150°C  
 Environmental:  
 IP67 Protection (Mated Condition)  
 Lead free, RoHS compliant



UNLESS OTHERWISE SPECIFIED ALL DIMENSIONS ARE INCHES [MM] TOLERANCES: EXCEPT AS NOTED		
INCHES HOLES		
.X ± .10	Ø.X ± .10	
.XX ± .020	Ø.XX ± .015	
.XXX ± .015	Ø.XXX ± .010	
APPROVALS		DATE
DRAWN	SS	8/16/21
CHECKED	SS	8/16/21
APPROVED		

**ADAM TECH** 909 Rahway Avenue,  
 Union, NJ 07083  
 Phone: 908-687-5000  
 Fax: 908-687-5710

TITLE  
 PUSH-PULL CONNECTOR FEMALE PLUG, METAL,  
 SIZE 0, SOLDER TERMINAL, BEND RELIEF TYPE, IP67

SIZE X	PART NO. MMI-MOFGXXSXXB-IP67	REV. -
REF: SXXXXX	SCALE: NTS	SHEET 1 OF 1