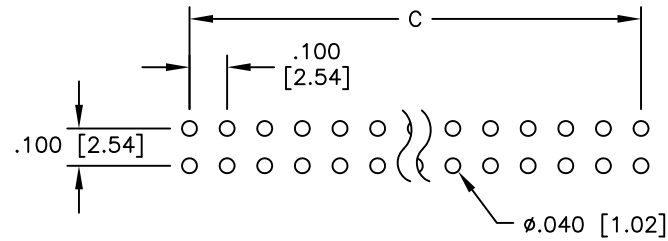
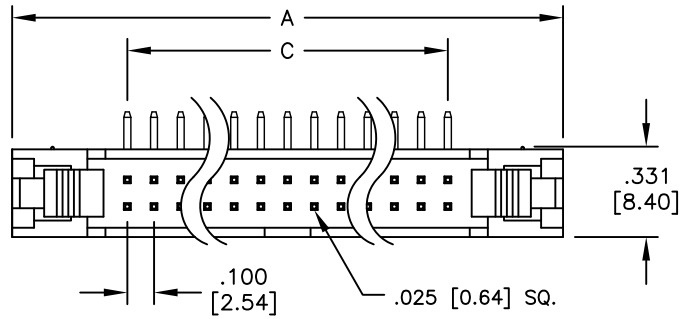
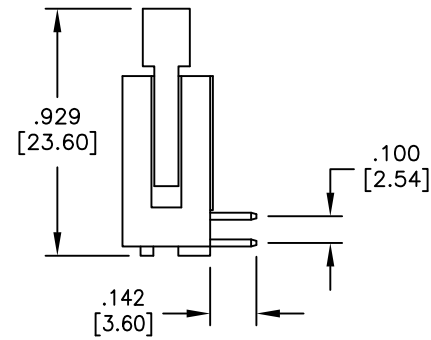
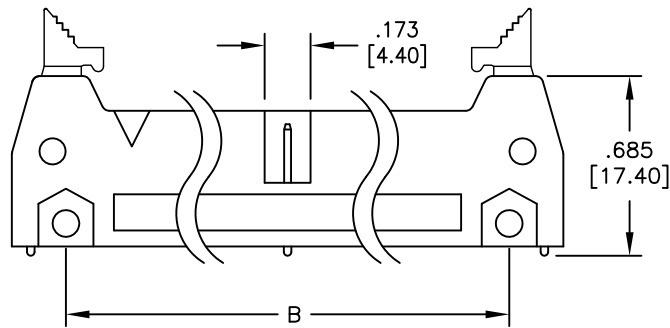


APPROVED: _____
 DATE: _____ TITLE: _____

Rev	AWO #	Description	Date	Appr
-		RELEASED	11/2/01	
A		REDRAWN	11/30/09	
B		UPDATE DIM.	4/2/18	AY/KC
C		P/N CHANGE, P/N WAS MHR-XX-HSGAS	4/15/18	AY/KC



RECOMMENDED PCB LAYOUT



SPECIFICATIONS:

Material:
 Insulator: PBT, rated UL 94V-0
 Insulator color: Black
 Contacts: Brass
 Plating:
 Gold flash over Nickel underplate on contact area,
 Tin over copper underplate on solder tails

Electrical:
 Operating voltage: 250 VAC max
 Current rating: 3 Amps max
 Contact resistance: 20 mohms max
 Insulation resistance: 5,000 Mohms min @ 500 VDC
 Dielectric withstanding voltage: 1,000 VAC for 1 minute
 Temperature Rating:
 Operating temperature: -55°C to +105°C

Environmental:
 Lead free, RoHS compliant



Positions: 10, 14, 16, 20, 24, 26, 30, 34, 40, 44, 50, 60, 64
 $A = .100 [2.54] \times \text{No. of Spaces} + .860 [21.84]$
 $B = .100 [2.54] \times \text{No. of Spaces} + .460 [11.68]$
 $C = .100 [2.54] \times \text{No. of Spaces}$

UNLESS OTHERWISE SPECIFIED
 ALL DIMENSIONS ARE INCHES [MM]
 TOLERANCES: EXCEPT AS NOTED

INCHES		HOLES	
.X	± .10	Ø.X	± .10
.XX	± .020	Ø.XX	± .015
.XXX	± .015	Ø.XXX	± .010

APPROVALS		DATE
DRAWN	SS	11/2/01
CHECKED		
APPROVED		

ADAM TECH INTERCONNECTS
 909 Rahway Avenue,
 Union, NJ 07083
 Phone: 908-687-5000
 Fax: 908-687-5710

TITLE			
LATCHED BOX HEADER, RIGHT ANGLE, SHORT EJECTOR LATCHES, SELECTIVE GOLD			
SIZE	PART NO.	REV.	
X	MHR-XX-HSGAS-Y	C	
REF:	S00089T	SCALE:	NTS SHEET 1 OF 1