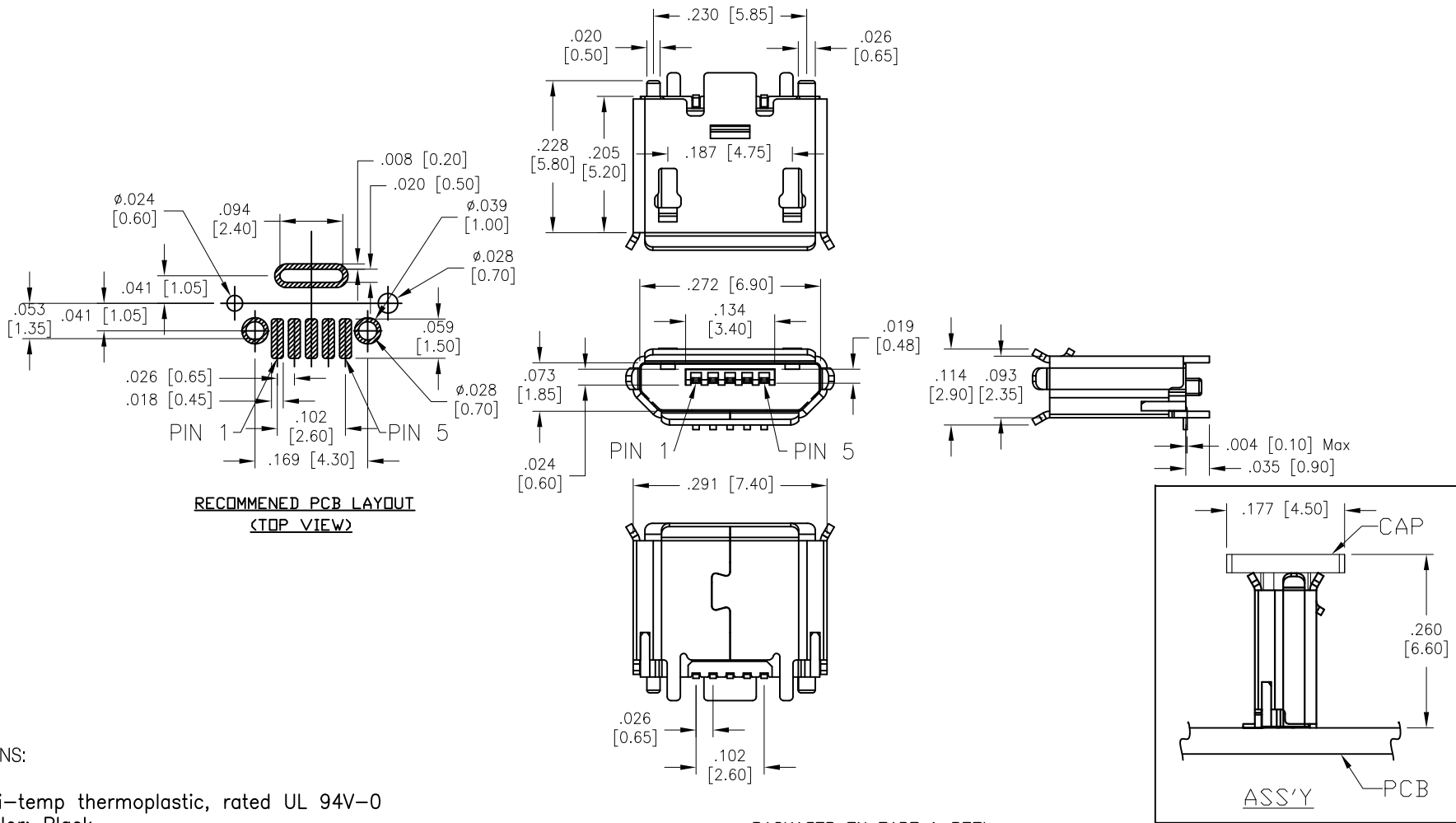


APPROVED: _____
 DATE: _____ TITLE: _____

Rev	AWO #	Description	Date	Appr
-		RELEASED	1/9/17	
A		UPDATE SPEC.	10/17/17	AYTY



SPECIFICATIONS:

Material:
 Insulator: Hi-temp thermoplastic, rated UL 94V-0
 Insulator color: Black
 Contacts: Phosphor Bronze
 Shell: Stainless Steel, Matte tin plated
 Plating:
 10u" Gold over Nickel underplate overall
 Electrical:
 Rated current: PIN 1 & 5 => 1.8A
 PIN 2, 3 & 4 => 0.5A.
 Rated Voltage: 30 VAC
 Environmental:
 Lead free, RoHS compliant.



PACKAGED ON TAPE & REEL

UNLESS OTHERWISE SPECIFIED ALL DIMENSIONS ARE INCHES [MM] TOLERANCES: EXCEPT AS NOTED	
INCHES	
.X ± .10	∅X ± .10
.XX ± .020	∅XX ± .015
.XXX ± .015	∅XXX ± .010
HOLES	
APPROVALS	
DRAWN	AY
CHECKED	MY
APPROVED	
DATE	
1/9/17	
1/9/17	

ADAM TECH		
909 Rahway Avenue, Union, NJ 07083 Phone: 908-687-5000 Fax: 908-687-5710		
TITLE		
MICRO USB B TYPE, FEMALE, VERTICAL SMT, W/PEG		
SIZE	PART NO.	REV.
X	MCR-B-S-V-SMT-P-CS1-10-PP-T/R	A
REF: S00126T	SCALE: NTS	SHEET 1 OF 1