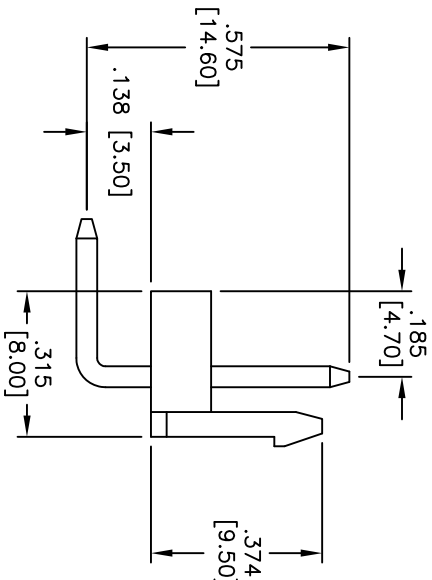
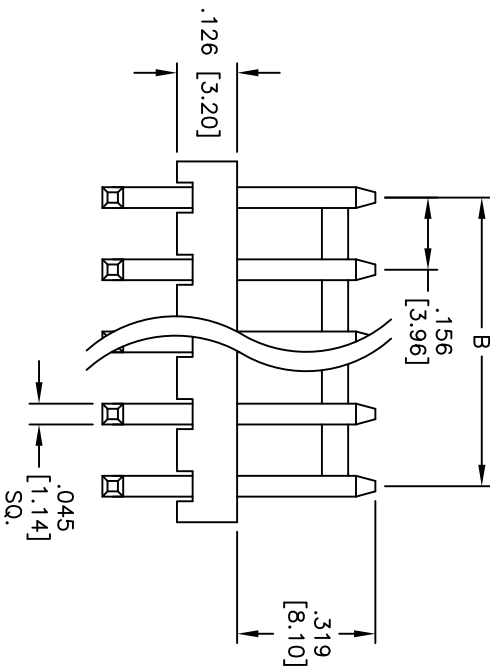
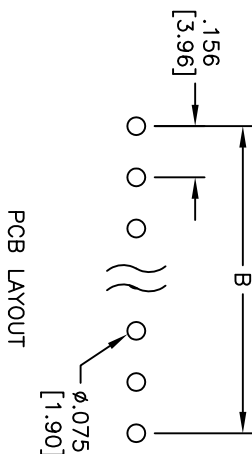
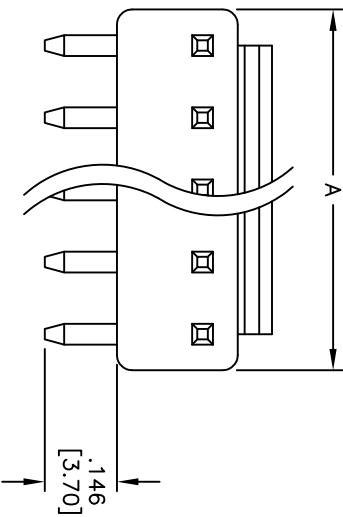


APPROVED: _____
 DATE: _____ TITLE: _____

Rev	AWO #	Description	Date	Appr
-		RELEASED	4/12/05	
A		UPDATED DIM.	3/20/15	HR/LL



SPECIFICATIONS:

Material:

Insulator: Nylon, rated UL 94V-2

Insulator color: White

Contacts: Brass

Plating:

Tin over Copper underplate overall

Electrical:

Operating voltage: 250 VAC/DC max

Current rating: AC/DC 5 Amps max

Contact resistance: 20 mohms max

Insulation resistance: 1,000 Mohms min

Dielectric withstanding voltage: 1,500 VAC for 1 minute

Temperature Rating:

Operating temperature: -25°C to +85°C

Environmental:

Lead free, RoHS compliant

Positions: 2 thru 12
 A = .156 [3.96] x No. of Positions + .008 [0.20]
 B = .156 [3.96] x No. of Spaces

ADAM TECH

909 Rahway Avenue, Union, NJ 07083
 Phone: 908-687-5000 Fax: 908-687-5710

**.156 [3.96] POWER HEADER
 RIGHT ANGLE, WITH REAR LOCK**

UNLESS OTHERWISE SPECIFIED ALL DIMENSIONS ARE INCHES [MM]	
TOLERANCES: EXCEPT AS NOTED	
INCHES	HOLES
.X ± .10	Ø.X ± .10
.XX ± .020	Ø.XX ± .015
.XXX ± .015	Ø.XXX ± .010
APPROVALS	DATE
DRAWN	SS
CHECKED	
APPROVED	

TITLE		SIZE		PART NO.		REV.	
.156 [3.96] POWER HEADER		X		LHC-XX-TRA		A	
RIGHT ANGLE, WITH REAR LOCK		REF: S00016T		SCALE: NTS		SHEET 1 OF 1	



6

5

4

3

2

1