

6

5

4

3

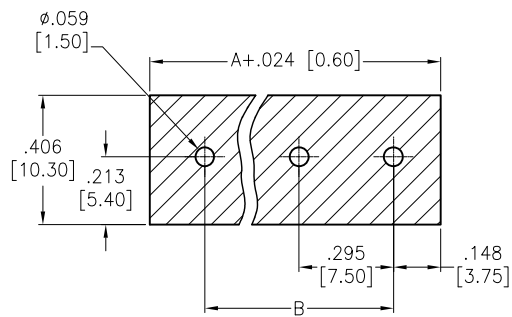
2

1

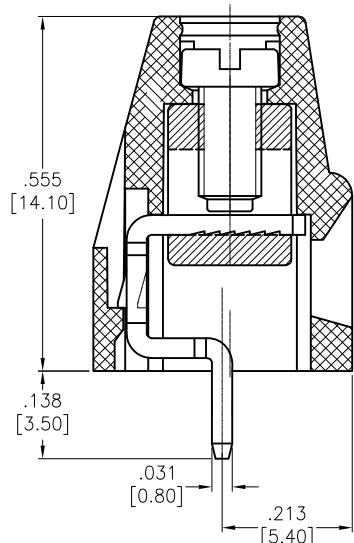
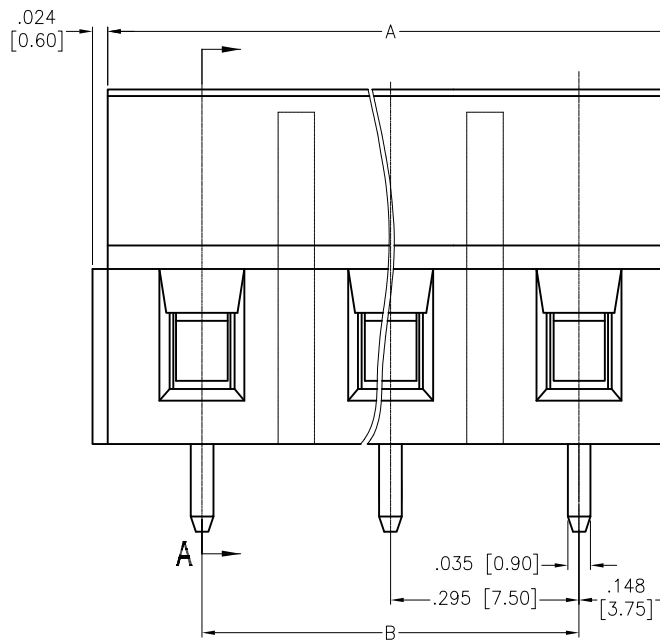
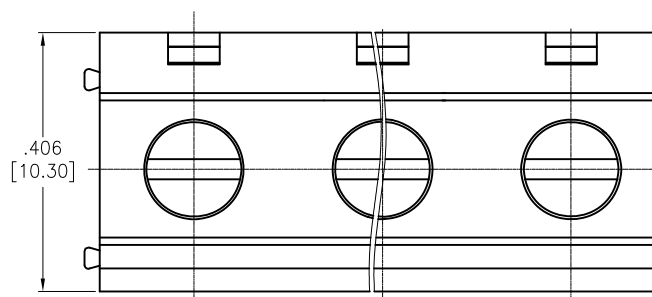
APPROVED: _____

DATE: _____ TITLE: _____

Rev	AWO #	Description	Date	Appr
-		RELEASED	9/3/14	



RECOMMENDED PCB LAYOUT



SECTION A-A

SPECIFICATIONS:

Material:
 Insulator: PA66, rated UL 94V-0
 Insulator Color: Green
 Contact: Brass, Tin plated.
 Screw: Steel, M2.5, Zn plated.
 Cage: Brass, Ni plated

Electrical:
 Voltage rating: 300 V
 Current rating: 10 A
 Contact resistance: 20 mohms max
 Insulation resistance: 500 Mohms min @ 500 VDC
 Dielectric withstanding voltage: 2,000 VAC for 1 minute

Mechanical:
 Wire Range: 12~22 AWG, 2.5mm²
 Wire strip length: 6~7mm
 Torque: 0.4Nm, 3.6Lb-in
 Temperature Rating:
 Operating temperature: -40°C to +105°C
 Environmental:
 Lead free, RoHS compliant.



Positions: 02 thru 24
 $A = .197'' [7.50] \times \text{No. of positions}$
 $B = .197'' [7.50] \times \text{No. of spaces}$

UNLESS OTHERWISE SPECIFIED ALL DIMENSIONS ARE INCHES [MM] TOLERANCES: EXCEPT AS NOTED		ADAM TECH 909 Rahway Avenue, Union, NJ 07083 Phone: 908-687-5000 Fax: 908-687-5710	
INCHES HOLES			
.X ± .10	∅X ± .10	TITLE MODULAR EURO BLOCK, VERTICAL, .197" [7.50] PITCH, COLOR GREEN	
.XX ± .020	∅XX ± .015		
.XXX ± .015	∅XXX ± .010	SIZE X	
APPROVALS		DATE	
DRAWN AY		9/3/14	
CHECKED MW		9/3/14	
APPROVED		REF: S00067C	SCALE: NTS
		SHEET 1 OF 1	

6

5

4

3

2

1