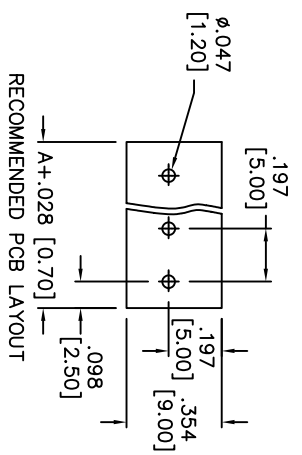


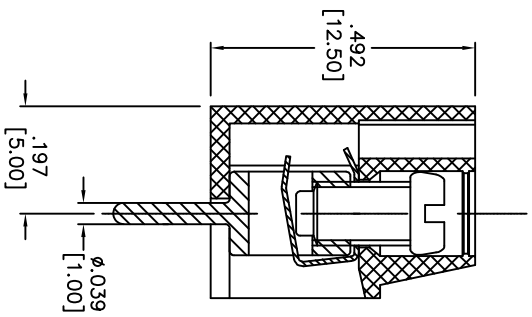
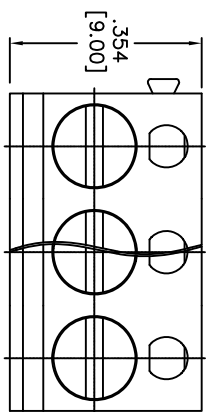
Rev	AWO #	Description	Date	Appr
-		RELEASED	10/22/14	

APPROVED: _____ TITLE: _____

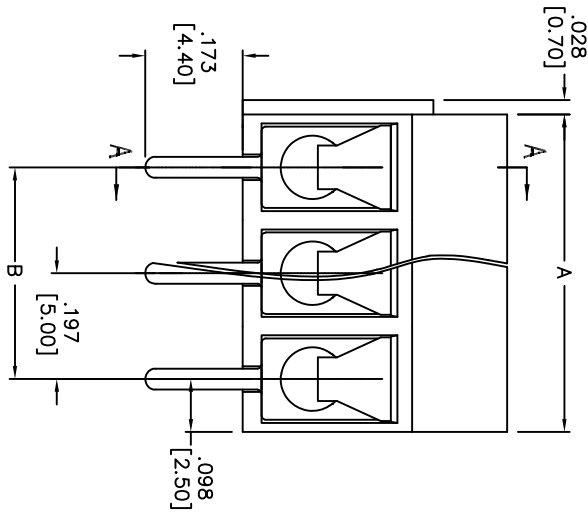
DATE: _____



RECOMMENDED PCB LAYOUT



SECTION A-A



Positions: 02 thru 24
 A = .197 [5.00] x No. of Positions
 B = .197 [5.00] x No. of Spaces

SPECIFICATIONS:

- Material:**
- Insulator: PA66, rated UL 94V-0
- Insulator color: Green
- Contact: Brass, Tin plated
- Strapmetal: Phosphor Bronze, Nickel plated
- Screw: M3 Steel, Zinc plated
- Electrical:**
- Operation voltage: 250 VAC max
- Current rating: 16 Amps
- Contact resistance: 20 mohms max
- Insulation resistance: 500 Mohms min @ 500 VDC
- Dielectric withstanding voltage: 2,000 VAC for 1 minute
- Wire range: 22-14AWG, 1.5mm²
- Mechanical:**
- Torque: 0.5Nm (4.5Lb.In)
- Strip length: 4-4.5mm
- Temperature Rating:**
- Operating temperature: -30°C to +120°C
- Environmental:**
- Lead free, RoHS compliant.



ADAM TECH
 909 Rahway Avenue, Union, NJ 07083
 Phone: 908-687-5000 Fax: 908-687-5710

TITLE
.197" [5.00] PITCH, TERMINAL BLOCK

UNLESS OTHERWISE SPECIFIED ALL DIMENSIONS ARE MM [INCHES] TOLERANCES: EXCEPT AS NOTED	
.X XX .XXX	±.10 ±.020 ±.015
ØX ØXX ØXXX	±.10 ±.015 ±.010
APPROVALS	DATE
DRAWN AY	10/22/14
CHECKED MW	10/22/14
APPROVED	

SIZE	PART NO.	SCALE	SHEET 1 OF 1
X	EBAAX-C	NIS	
REF: S0067C			