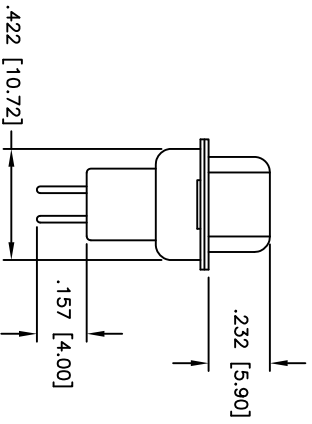
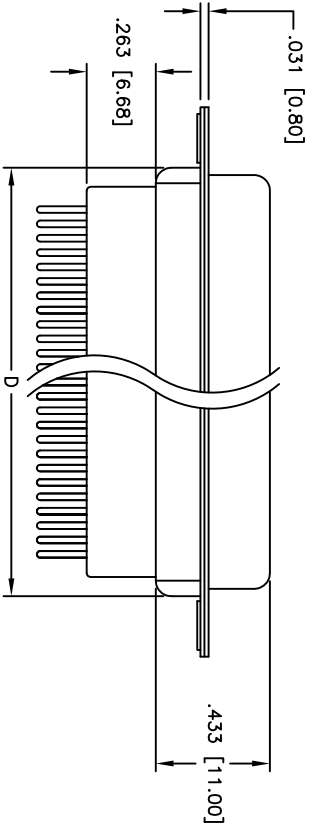
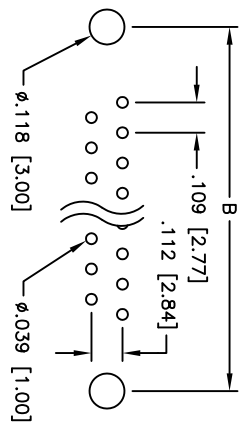
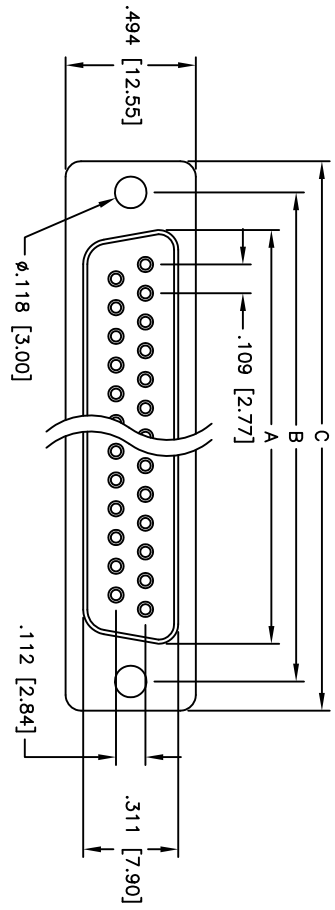


Rev	AWO #	Description	Date	Appr
-		RELEASED	4/15/05	

APPROVED: _____
 DATE: _____ TITLE: _____



Unit: Inch / mm

Positions	DIMENSIONS			
	A	B	C	D
9	.643 [16.33]	.984 [24.99]	1.213 [30.81]	.756 [19.20]
15	.971 [24.66]	1.312 [33.32]	1.541 [39.14]	1.091 [27.70]
25	1.511 [38.38]	1.852 [47.04]	2.088 [53.04]	1.618 [41.10]
37	2.159 [54.84]	2.500 [63.50]	2.729 [69.32]	2.256 [57.30]

ADAM TECH

909 Rahway Avenue, Union, NJ 07083
 Phone: 908-687-5000 Fax: 908-687-5710

D-SUB SOCKET, STRAIGHT PCB TAIL
 HIGH PROFILE

SPECIFICATIONS:
 Material: Insulator: PBT, glass reinforced, rated UL 94V-0
 Insulator color: Black
 Contacts: Phosphor Bronze
 Shell: Steel, Tin plated
 Plating: Gold flash over Nickel underplate overall
 Electrical: Operating voltage: 250 VAC max
 Current rating: 5 Amps max
 Contact resistance: 20 mohms max
 Insulation resistance: 5,000 Mohms min
 Dielectric withstanding voltage: 1,000 VAC for 1 minute
 Operating temperature: -65°C to +125°C
 Environmental: Lead free, RoHS compliant



UNLESS OTHERWISE SPECIFIED ALL DIMENSIONS ARE INCHES [MM]		TITLE	
TOLERANCES: EXCEPT AS NOTED	INCHES	D-SUB SOCKET, STRAIGHT PCB TAIL	
.X ± .10	ØXX ± .10	HIGH PROFILE	
.XX ± .020	ØXXX ± .015	DXXX-SE-1	
.XXX ± .015	ØXXXX ± .010	PART NO.	
APPROVALS	DATE	SIZE	
DRAWN	SS	X	
CHECKED		SCALE: NTS	
APPROVED		SHEET 1 OF 1	