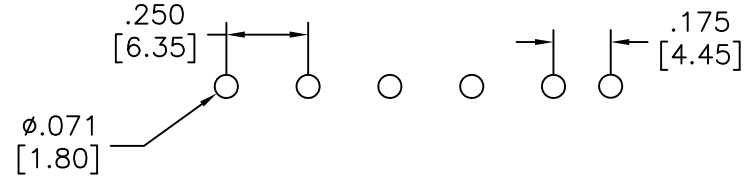
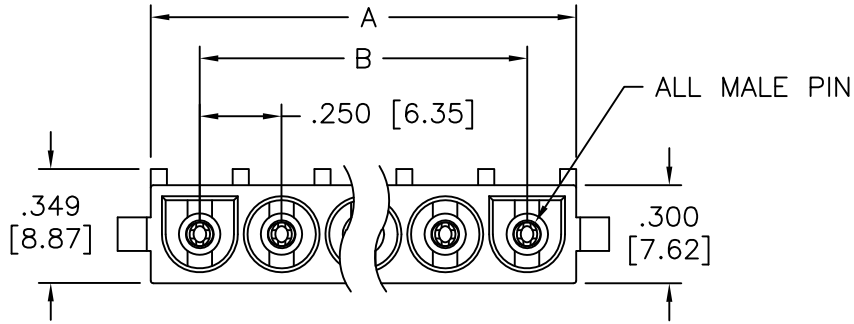
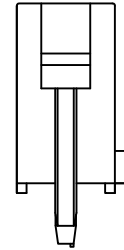
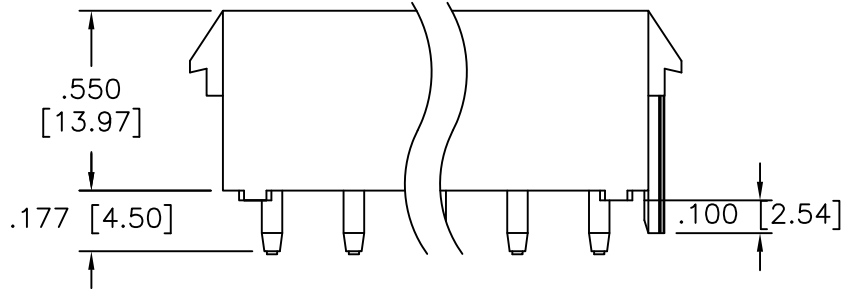


APPROVED: \_\_\_\_\_  
 DATE: \_\_\_\_\_ TITLE: \_\_\_\_\_

Rev	AWO #	Description	Date	Appr
-		RELEASED	10/6/11	
A		REVISED SPEC.	12/6/13	AY/SL



Recommended PCB Layout



**SPECIFICATIONS:**

Material:  
 Insulator: Nylon 66, rated UL 94V-2  
 Insulator color: Natural  
 Contacts: Phosphor Bronze

Plating:  
 Tin over Copper underplate overall

Electrical:  
 Voltage rating: 600 V  
 Current rating: 2~4P: 13A, 6~10P: 11A  
 Dielectric withstanding voltage: 5000 VAC for 1 minute  
 Temperature Rating:  
 -55°C to +105°C

Environmental:  
 Lead free, RoHS compliant.



Poles: 02 thru 10  
 A = .250 [6.35] X No. of Positions + .050 [1.27]  
 B = .250 [6.35] X No. of Spaces

UNLESS OTHERWISE SPECIFIED ALL DIMENSIONS ARE MM [INCHES] TOLERANCES: EXCEPT AS NOTED		<b>ADAM TECH</b> 909 Rahway Avenue, Union, NJ 07083 Phone: 908-687-5000 Fax: 908-687-5710	
INCHES HOLES .X ± .10    Ø.X ± .10 .XX ± .020    Ø.XX ± .015 .XXX ± .015    Ø.XXX ± .010			
APPROVALS		TITLE	
DRAWN	AY	WIRE TO BOARD, FEMALE, 6.35mm PITCH WITH POLARIZING, SINGLE ROW TYPE	
CHECKED	LW	DATE	10/6/11
APPROVED		SIZE	X
		PART NO.	DME-XX-S-P-S
		REV.	A
		REF:	S00123T
		SCALE:	NTS
		SHEET	1 OF 1