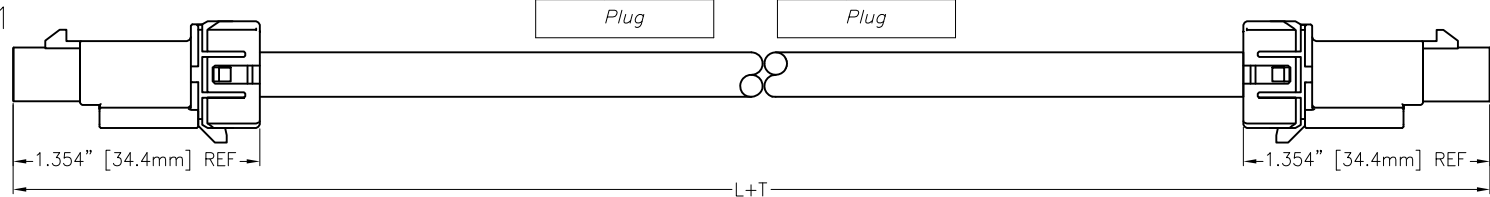
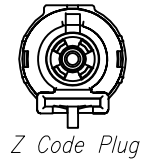
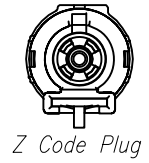
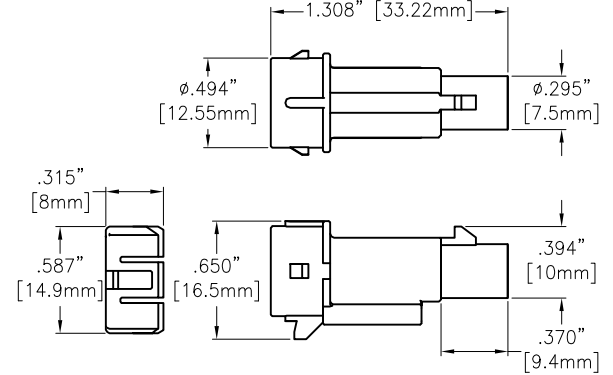
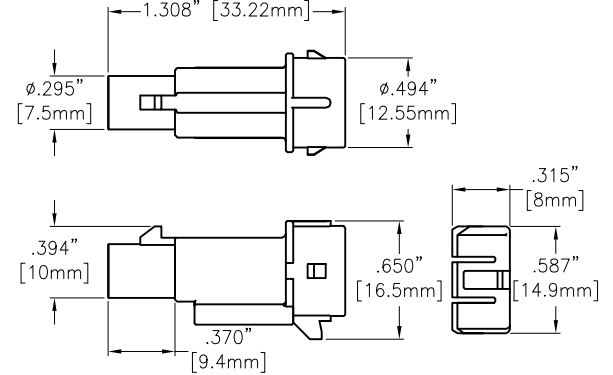


APPROVED: _____
 DATE: _____ TITLE: _____

Rev	AWO #	Description	Date	Appr
-		RELEASED	10/12/22	

CA-FMFM-XX001X

P1 CODE			P2 CODE		
Z		Water Blue	Z		Water Blue
N		Pastel Green	N		Pastel Green
M		Pink Orange	M		Pink Orange
L		Carmine	L		Carmine
K		Curry	K		Curry
I		Yellow	I		Yellow
H		Violet	H		Violet
G		Grey	G		Grey
F		Brown	F		Brown
E		Green	E		Green
D		Purple	D		Purple
C		Blue	C		Blue
B		White	B		White
A		Black	A		Black
Code	Color		Code	Color	
Plug			Plug		



ADAM-P/N	L±T
CA-FMFM-XX00103WP	11.811±.787" [300±20mm]
CA-FMFM-XX00106WP	23.622±.787" [600±20mm]
CA-FMFM-XX00110WP	39.370±1.969" [1000±50mm]
CA-FMFM-XX00120WP	78.740±1.969" [2000±50mm]
CA-FMFM-XX00130WP	118.110±1.969" [3000±50mm]
CA-FMFM-XX00140WP	157.480±1.969" [4000±50mm]
CA-FMFM-XX00150WP	196.850±3.937" [5000±100mm]

SPECIFICATIONS:
Connector:
 P1&P2= FAKRA Male Code See Chart, Straight, Brass Gold Plated Contacts
 ADAM-P/N: RF55-62Z-Y-02-50

Cable:
 RG316U, Color: Brown

Electrical Test:
 All Assemblies must be 100% Tested for
 Shorts, Open, Continuity, and Physical Appearance.

Environmental:
 IP Rating: IPX7
 Lead free, RoHS compliant



UNLESS OTHERWISE SPECIFIED ALL DIMENSIONS
 ARE INCHES [MM]. TOLERANCES: EXCEPT AS NOTED

INCHES	HOLES
.X ±.10	Ø.X ±.10
.XX ±.020	Ø.XX ±.015
.XXX ±.015	Ø.XXX ±.010

DRAWN	LH	8/23/22
CHECKED	RC	8/23/22
APPROVED		

THIS DRAWING CONTAINS INFORMATION THAT IS PROPRIETARY
 AND SHOULD NOT BE USED WITHOUT PRIOR WRITTEN
 PERMISSION FROM ADAM TECH

ADAM TECH 909 Rahway Avenue,
 Union, NJ 07083
 Phone: 908-687-5000
 Fax: 908-687-5710

TITLE
 CUSTOM CABLE ASSEMBLY, FAKRA MALE STRAIGHT
 TO FAKRA MALE STRAIGHT , RG316U, IPX7 RATED

SIZE	PART NO.	REV.
X	CA-FMFM-XX001XWP	-
REF:	S00288T	SCALE: NTS SHEET 1 OF 1