

6

5

4

3

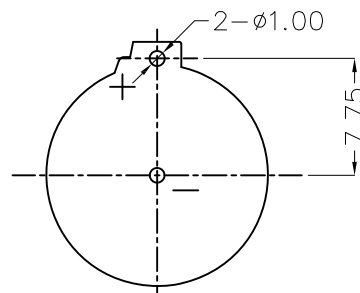
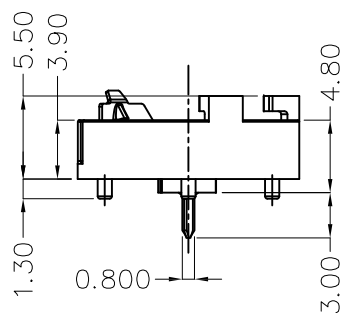
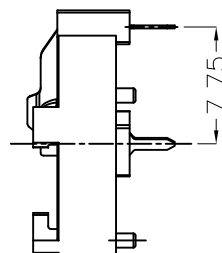
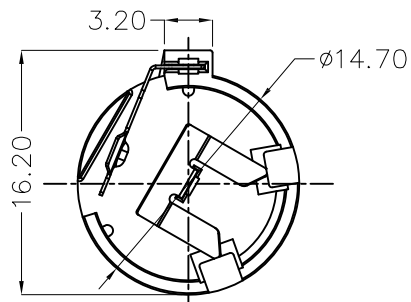
2

1

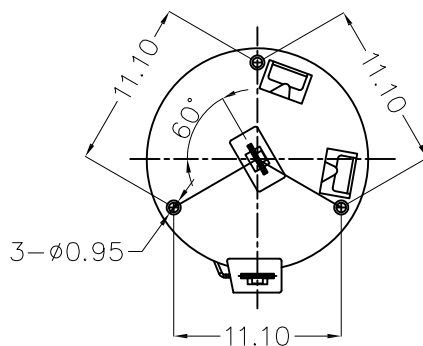
APPROVED: _____

DATE: _____ TITLE: _____

Rev	AWO #	Description	Date	Appr
-		RELEASED	8/2/17	
A		UPDATE DRAWING	3/18/20	LH/MY



RECOMMENDED PCB LAYOUT



SPECIFICATIONS:

Material:
Housing: PBT, rated UL94V-0, Color: Black
Contact: Phosphor Bronze, Nickel plated
Electrical:
Contact resistance: 30 mohms max
Insulation resistance: 1,000 Mohms min
Dielectric Voltage: 500 VAC one sec level
Temperature Rating:
Operating temperature: -25°C to +85°C.
Environmental:
Lead free, RoHS compliant



UNLESS OTHERWISE SPECIFIED
ALL DIMENSIONS ARE MILLIMETERS
TOLERANCES: EXCEPT AS NOTED

MM	ANGLE
X ± 0.30	X ± 1°
X.X ± 0.25	X.X ± 0.5°
X.XX ± 0.20	
X.XXX ± 0.10	

ADAM TECH
INTERCONNECTS

909 Rahway Avenue,
Union, NJ 07083
Phone: 908-687-5000
Fax: 908-687-5710

TITLE: **BATTERY HOLDER, DIP TYPE, FOR CR1220**
BLACK COLOR, REVERSE

APPROVALS		DATE
DRAWN	AY	8/2/17
CHECKED	MY	8/2/17
APPROVED		

SIZE X	PART NO. BH-98R-1	REV. A
REF: S00136C	SCALE: NTS	SHEET 1 OF 1

6

5

4

3

2

1