

6

5

4

3

2

1

APPROVED: _____
DATE: _____ TITLE: _____

Rev	AWO #	Description	Date	Appr
-		RELEASED	11/27/18	

D

D

C

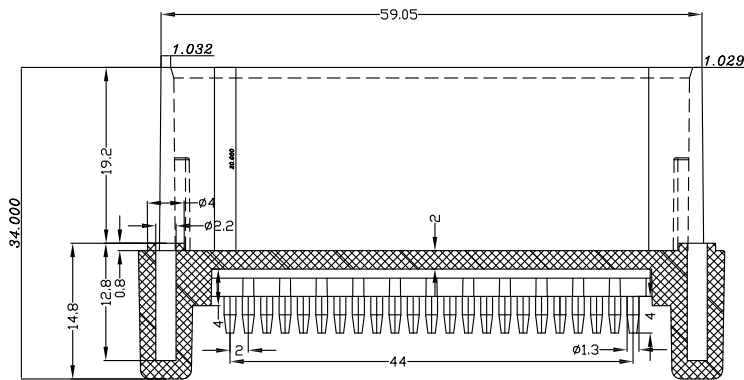
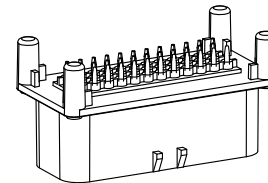
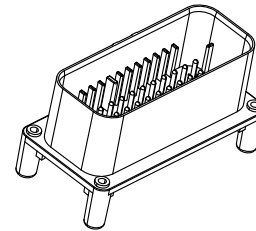
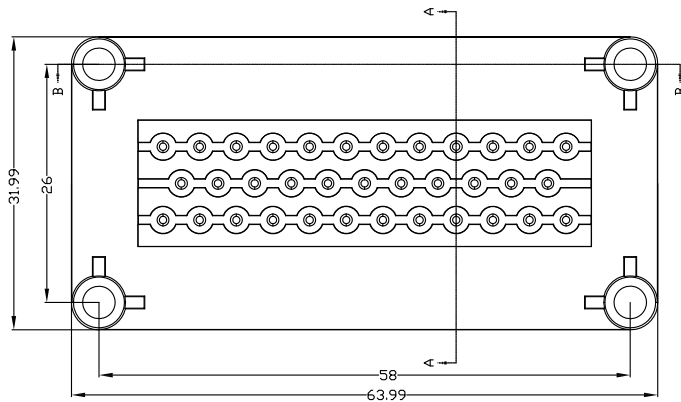
C

B

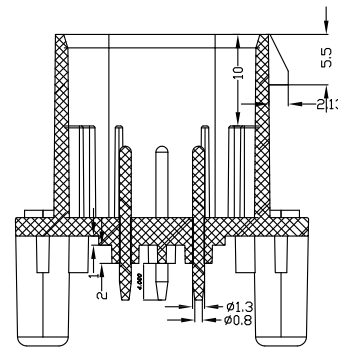
B

A

A



SECTION B-B



SECTION A-A

UNLESS OTHERWISE SPECIFIED
ALL DIMENSIONS ARE MILLIMETERS
TOLERANCES: EXCEPT AS NOTED

MM	ANGLE
0.5~6 ± 0.05	± 1°
6~30 ± 0.10	
30~120 ± 0.15	

ADAM TECH INTERCONNECTS 909 Rahway Avenue,
Union, NJ 07083
Phone: 908-687-5000
Fax: 908-687-5710

APPROVALS		DATE
DRAWN	AY	11/27/18
CHECKED	AC	11/27/18
APPROVED		

TITLE		
35P, AUTOMOBILE, 1.35*16.8 PIN		
SIZE	PART NO.	REV.
X	ADT-AMYX7762311	-
REF:	S00111C	SCALE: NTS
		SHEET 1 OF 1

SPECIFICATIONS:
Environmental:
Lead free, RoHS compliant



6

5

4

3

2

1