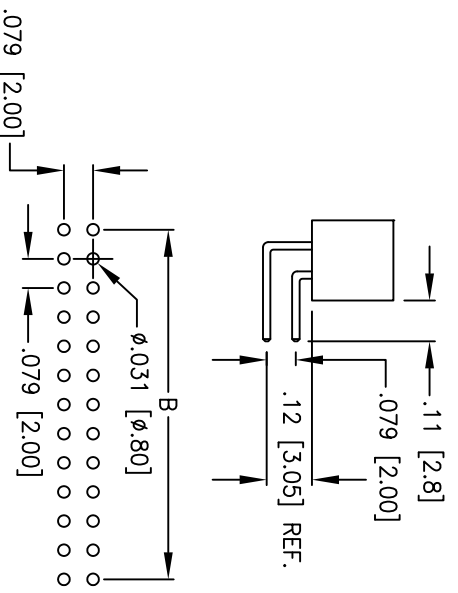
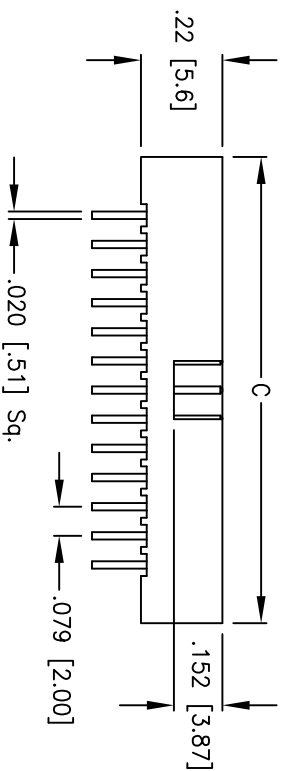
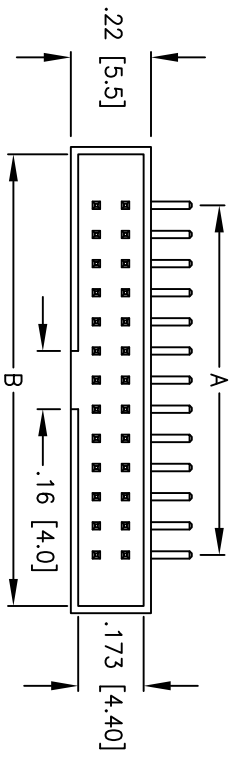


| Rev | AWO # | Description | Date | Appr |
|-----|-------|-------------|----------|------|
| - | 7466 | RELEASED | 01/25/07 | |

APPROVED: _____ TITLE: _____
 DATE: _____

| POSITION | A | B | C |
|----------|---------------|---------------|---------------|
| 10 | .315 [8.00] | .633 [16.08] | .673 [17.10] |
| 12 | .394 [10.00] | .712 [18.08] | .752 [19.10] |
| 14 | .472 [12.00] | .791 [20.08] | .831 [21.10] |
| 16 | .551 [14.00] | .869 [22.08] | .909 [23.10] |
| 20 | .709 [18.00] | 1.027 [26.08] | 1.067 [27.10] |
| 26 | .945 [24.00] | 1.263 [32.08] | 1.303 [33.10] |
| 34 | 1.260 [32.00] | 1.578 [40.08] | 1.618 [41.10] |
| 40 | 1.496 [38.00] | 1.814 [46.08] | 1.854 [47.10] |
| 44 | 1.654 [42.00] | 1.972 [50.08] | 2.012 [51.10] |
| 50 | 1.890 [48.00] | 2.208 [56.08] | 2.248 [57.10] |
| 68 | 2.598 [66.00] | 2.917 [74.08] | 2.957 [75.10] |



RECOMMENDED PCB LAYOUT
 Tolerances: ±.004 [±.10]

SPECIFICATIONS:

Material:

Insulator: PBT, glass reinforced, rated UL 94V-0

Insulator color: Black

Contacts: Brass

Plating:

Gold Flash over Nickel underplate overall

Electrical:

Operating voltage: 250 VAC max

Current rating: 1 Amp max

Contact resistance: 20 mohms max

Insulation resistance: 5000 Mohms min

Dielectric withstanding voltage: 1000 VAC for 1 minute

Temperature Rating:

Operating temperature: -55C to +105C

Environmental:

Lead free, RoHS compliant.



| UNLESS OTHERWISE SPECIFIED ALL DIMENSIONS ARE INCHES [MM] | |
|--|------------|
| TOLERANCES: EXCEPT AS NOTED | |
| INCHES | HOLES |
| .X ±.10 | ØX ±.10 |
| .XX ±.020 | ØXX ±.015 |
| .XXX ±.015 | ØXXX ±.010 |

ADAM TECH
 909 Rahway Avenue, Union, NJ 07083
 Phone: 908-687-5000 Fax: 908-687-5710

TITLE: 2.0mm DUAL ROW, HORIZONTAL
 MOUNT BOX HEADER, GOLD PLATED

| APPROVALS | DATE | SIZE | PART NO. | SCALE: | SHEET |
|-----------|------|------|-------------|--------|--------|
| DRAWN | BW | | | NTS | 1 OF 1 |
| CHECKED | | X | 2BHR-XX-HUA | | |
| APPROVED | | | | | |