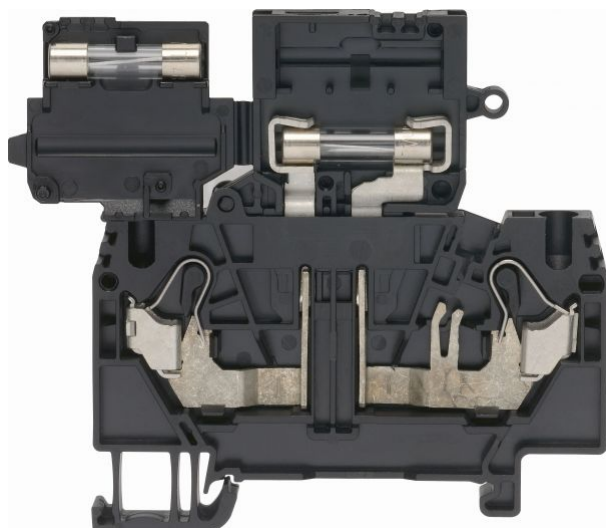


3290.4

FSIK 4/2A BK

FSIK 4/2A BK



Fuse-disconnect terminal, Push-in connection, Mounting type: Mounting rail TS 35/7.5, Rated cross-section: 4 mm², Width: 6 mm, Colour: Black

Business data

Product description	Fuse-disconnect terminal
Packaging unit	25
Quantity unit	PC
Weight per piece (not including packaging)	16.06
Weight per piece (including packaging)	17.94
Unit of weight	G
Customs number	85369010
Country of origin	DE

3290.4

FSIK 4/2A BK

FSIK 4/2A BK

Technical Data

Dimensions

Length	67.5 mm
--------	---------

Width	6.1 mm
-------	--------

Height	69 mm
--------	-------

Height TS 35/7.5	70 mm
------------------	-------

Ratings

Rated voltage (determined by the illuminated display and fuse being used)	250 V
---	-------

Rated current	6,3 A
---------------	-------

Rated cross-section	4 mm ²
---------------------	-------------------

Rated impulse voltage	6 kV
-----------------------	------

Overvoltage category	III
----------------------	-----

Contamination degree	3
----------------------	---

3290.4

FSIK 4/2A BK

FSIK 4/2A BK

Technical Data

Connection data

Connection principle	Push-in connection
Connection position	Top
Connections	2 / extraction lever
Number of terminals per level	2
Number of levels	1
Wire cross-section single-core (rigid) / stranded, min.	0.2 mm ²
Wire cross-section single core (rigid)/stranded, max.	4 mm ²
Wire cross-section stranded, min.	0.2 mm ²
Wire cross-section stranded, max.	2.5 mm ²
Wire cross-section stranded with wire-end ferrules, min.	0.2 mm ²
Wire cross-section stranded with wire-end ferrules, max.	2.5 mm ²
Wire cross-section AWG, min.	24
Wire cross-section AWG, max.	10
Stripping length	12 mm

Materials

Insulation housing	Polyamide 6.6
Flammability class UL 94	V-0
Working temperature, min.	-40 °C

3290.4

FSIK 4/2A BK

FSIK 4/2A BK

Technical Data

Materials

Working temperature, max.	120 °C
---------------------------	--------

Further technical data

Mounting type	Mounting rail TS 35/7,5
---------------	-------------------------

Fuse size	5 x 20 mm
-----------	-----------

Gauge plug acc. to EN 60 947-1	A3
--------------------------------	----

Number of cross-connection channels	1
-------------------------------------	---

End plate required	✓
--------------------	---

Voltage fuse	250 V
--------------	-------

Power loss in singular arrangement - overload and short-circuit protection, max.	4 / 6,3 W / A
--	---------------

Power loss in compound arrangement - overload and short-circuit protection, max.	1,6 / 6,3 W / A
--	-----------------

Power loss in singular arrangement - only short-circuit protection, max.	4 / 10 W / A
--	--------------

Power loss in compound arrangement - only short-circuit protection, max.	4 / 6,3 W / A
--	---------------

Version of fuse holder	Swivelling
------------------------	------------

Version of fuse cartridge	G fuse 5 x 20
---------------------------	---------------

3290.4

FSIK 4/2A BK

FSIK 4/2A BK

Approvals

CSA approval

CSA approval	C22.2 No 158
CSA approval granted	✓
CSA Usegroup C: rated voltage	300 V
CSA Usegroup C: rated current	6,3 A
CSA wire cross-section AWG, min.	24
CSA wire cross-section AWG, max.	10
CSA stripping length	12 mm

CSAus approval

CSAus approval	UL 1059
CSAus approval granted	✓
CSAus Usegroup C: rated voltage	300 V
CSAus Usegroup C: rated current	6,3 A
CSAus wire cross-section AWG, min.	24
CSAus wire cross-section AWG, max.	10
CSAus stripping length	12 mm

3290.4

FSIK 4/2A BK

FSIK 4/2A BK

Approvals

KEMA KEUR approval

KEMA KEUR approval	EN 60947-7-3
KEMA KEUR approval granted	✓
KEMA rated voltage	400 V
KEMA voltage fuse, max.	250 V
KEMA rated current	6,3 A
KEMA rated impulse voltage (fuse holder without electrical components)	6 (4) kV
KEMA wire cross-section single core (rigid), min.	0.2 mm ²
KEMA wire cross-section single-core (rigid), max.	4 mm ²
KEMA wire cross-section stranded, min.	0.2 mm ²
KEMA wire cross-section stranded, max.	4 mm ²
KEMA fuse size	5 x 20 mm
KEMA power loss in singular arrangement - overload and short-circuit protection, max.	4 / 6,3 W / A
KEMA power loss in compound arrangement - overload and short-circuit protection, max.	1,6 / 6,3 W / A
KEMA power loss in singular arrangement - only short-circuit protection, max.	4 / 10 W / A
KEMA power loss in compound arrangement - only short-circuit protection, max.	4 / 6,3 W / A

3290.4

FSIK 4/2A BK

FSIK 4/2A BK

Approvals

UL Recognized

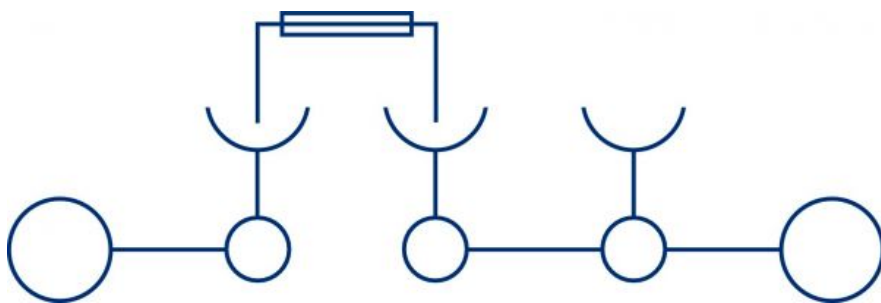
UL Recognized	UL 1059
UL Recognized granted	✓
UL Usegroup B: rated voltage	300 V
UL Usegroup B: rated current	6,3 A
UL Usegroup C: rated voltage	300 V
UL Usegroup C: rated current	6,3 A
UL Usegroup D: rated voltage	300 V
UL Usegroup D: rated current	6,3 A
UL wire cross-section single-core (rigid) AWG, min.	24
UL wire cross-section single-core (rigid) AWG, max.	10
UL wire cross-section stranded AWG, min.	24
UL wire cross-section stranded AWG, max.	10
UL wire material	Cu
UL factory wiring	✓
UL field wiring	✓

3290.4

FSIK 4/2A BK

FSIK 4/2A BK

Media



3290.4

FSIK 4/2A BK

FSIK 4/2A BK

Accessories

End plate



End plate, Width: 1.5 mm, Colour: Black

In general

Order number	Article designation	GTIN (EAN)	Packaging unit
3489.4	FAPSI 4/2A	4044211184681	20 PC

Wire-end ferrules for small terminal compartments



Wire-end ferrules, Max. wire cross-section: 4 mm², Length: 20 mm, Length of copper pipe: 12 mm, Colour: Grey

In general

Order number	Article designation	GTIN (EAN)	Packaging unit
3194.0	H 4,0/20-D SR	4044211134280	500 PC

3290.4

FSIK 4/2A BK

FSIK 4/2A BK

Accessories

End bracket



End stop, Mounting type: Mounting rail TS 35/7.5 and TS 35/15, Width: 5 mm, Colour: Beige

In general

Order number	Article designation	GTIN (EAN)	Packaging unit
3811.2	ZES 35/2	4044211080600	50 PC

Insulated cross connector



Insulated cross-connector, No. of poles: 2, Mounting type: Plug in, Width: 12.1 mm, Colour: Yellow

In general

Order number	Article designation	GTIN (EAN)	Packaging unit
3472.8	FQI 4/2	4044211110826	50 PC

3290.4

FSIK 4/2A BK

FSIK 4/2A BK

Accessories

Insulated cross connector



Insulated cross-connector, No. of poles: 5, Mounting type: Plug in, Width: 30.1 mm, Colour: Yellow

In general

Order number	Article designation	GTIN (EAN)	Packaging unit
3475.8	FQI 4/5	4044211110857	20 PC



Insulated cross-connector, No. of poles: 7, Mounting type: Plug in, Width: 42.6 mm, Colour: Yellow

In general

Order number	Article designation	GTIN (EAN)	Packaging unit
3477.8	FQI 4/7	4044211110871	20 PC

3290.4

FSIK 4/2A BK

FSIK 4/2A BK

Accessories

Insulated cross connector



Insulated cross-connector, No. of poles: 8, Mounting type: Plug in, Width: 48.7 mm, Colour: Yellow

In general

Order number	Article designation	GTIN (EAN)	Packaging unit
3478.8	FQI 4/8	4044211110888	10 PC



Insulated cross-connector, No. of poles: 10, Mounting type: Plug in, Width: 60.9 mm, Colour: Yellow

In general

Order number	Article designation	GTIN (EAN)	Packaging unit
3470.8	FQI 4/10	4044211110819	10 PC

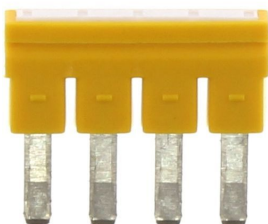
3290.4

FSIK 4/2A BK

FSIK 4/2A BK

Accessories

Insulated cross connector



Insulated cross-connector, No. of poles: 4, Mounting type: Plug in, Width: 24.3 mm, Colour: Yellow

In general

Order number	Article designation	GTIN (EAN)	Packaging unit
3474.8	FQI 4/4	4044211110840	20 PC



Insulated cross-connector, No. of poles: 9, Mounting type: Plug in, Width: 54.8 mm, Colour: Yellow

In general

Order number	Article designation	GTIN (EAN)	Packaging unit
3479.8	FQI 4/9	4044211110895	10 PC

3290.4

FSIK 4/2A BK

FSIK 4/2A BK

Accessories

Insulated cross connector



Insulated cross-connector, No. of poles: 3, Mounting type: Plug in, Width: 18.2 mm, Colour: Yellow

In general

Order number	Article designation	GTIN (EAN)	Packaging unit
3473.8	FQI 4/3	4044211110833	50 PC



Insulated cross-connector, No. of poles: 6, Mounting type: Plug in, Width: 36.5 mm, Colour: Yellow

In general

Order number	Article designation	GTIN (EAN)	Packaging unit
3476.8	FQI 4/6	4044211110864	20 PC

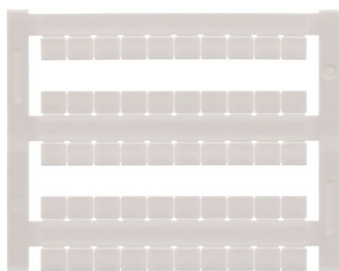
3290.4

FSIK 4/2A BK

FSIK 4/2A BK

Accessories

Quick-marking



Terminal marker / Pocket Maxicard, Length: 5 mm,
Width: 6 mm, Colour: White

In general

Order number	Article designation	GTIN (EAN)	Packaging unit
4702.7	PMC SB 6/50 WH	4044211089986	500 PC

Screw driver



Screwdriver with bare blade, Colour:

In general

Order number	Article designation	GTIN (EAN)	Packaging unit
3164.0	SDB 0,4x2,0	4044211107246	1 PC

3290.4

FSIK 4/2A BK

FSIK 4/2A BK

Accessories

Connection sleeve



Connecting sleeve, Colour: Orange

In general

Order number	Article designation	GTIN (EAN)	Packaging unit
2873.3	VBS 2/10	4044211055981	20 PC



Connecting sleeve, Colour: Orange

In general

Order number	Article designation	GTIN (EAN)	Packaging unit
2874.3	VBS 3/10	4044211055998	20 PC
