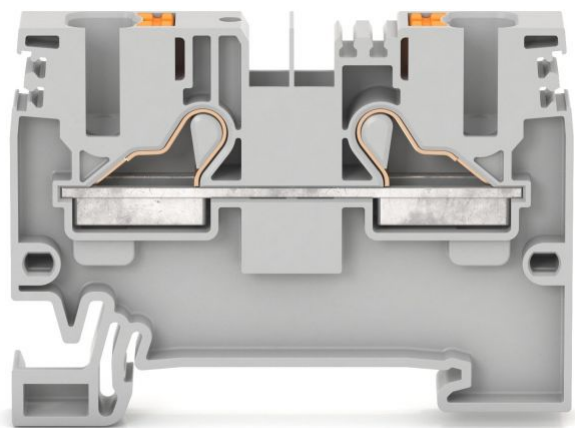


27018.6

PRK 6/2A GR

PRK 6/2A GR



Feed-through terminal, Push-in connection, Mounting type: Mounting rail TS 35/7.5, Rated cross-section: 6 mm², Width: 8.1 mm, Colour: Grey

Business data

Product description	Feed-through terminal
Packaging unit	50
Quantity unit	PC
Unit of weight	G
Customs number	85369010
Country of origin	DE

27018.6

PRK 6/2A GR

PRK 6/2A GR

Technical Data

Dimensions

Length	57.7 mm
Width	8.1 mm
Height	42 mm
Height TS 35/7.5	44 mm

Ratings

Rated voltage	1000 V
Rated current	41 A
Current load, max.	52 A
Rated cross-section	6 mm ²
Rated impulse voltage	8 kV
Overvoltage category	III
Contamination degree	3

27018.6

PRK 6/2A GR

PRK 6/2A GR

Technical Data

Connection data

Connection principle	Push-in connection
Connection position	Top
Connections	2
Number of terminals per level	2
Number of levels	1
Wire cross-section single-core (rigid) / stranded, min.	0.5 mm ²
Wire cross-section single core (rigid)/stranded, max.	10 mm ²
Wire cross-section stranded, min.	0.5 mm ²
Wire cross-section stranded, max.	6 mm ²
Wire cross-section stranded with wire-end ferrules, min.	0.5 mm ²
Wire cross-section stranded with wire-end ferrules, max.	10 mm ²
Wire cross-section AWG, min.	20
Wire cross-section AWG, max.	8
Stripping length	12 mm

Materials

Insulation housing	Polyamide 6.6
Flammability class UL 94	V-0
Working temperature, min.	-40 °C

27018.6

PRK 6/2A GR

PRK 6/2A GR

Technical Data

Materials

Working temperature, max.	120 °C
---------------------------	--------

Further technical data

Mounting type	Mounting rail TS 35/7,5
---------------	-------------------------

Gauge plug acc. to EN 60 947-1	A5
--------------------------------	----

Number of cross-connection channels	2
-------------------------------------	---

End plate required	✓
--------------------	---

27018.6

PRK 6/2A GR

PRK 6/2A GR

Approvals

Standards and regulations

EAC approval	TR ZU 004/2011
--------------	----------------

EAC approval applied for	✓
--------------------------	---

CSA approval

CSA approval	C22.2 No 158
--------------	--------------

CSA approval applied for	✓
--------------------------	---

KEMA KEUR approval

KEMA KEUR approval	EN 60947-7-1
--------------------	--------------

KEMA KEUR approval applied for	✓
--------------------------------	---

UL Recognized

UL Recognized	UL 1059
---------------	---------

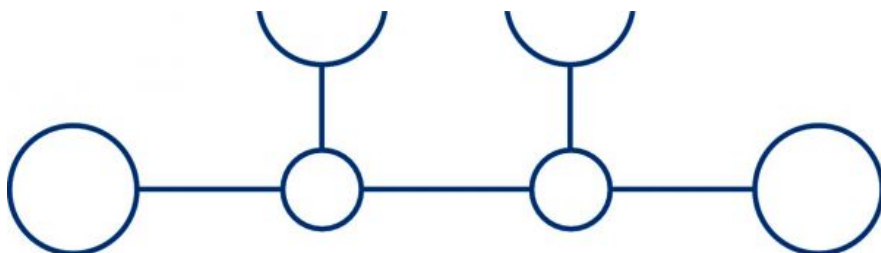
UL Recognized applied for	✓
---------------------------	---

27018.6

PRK 6/2A GR

PRK 6/2A GR

Media



27018.6

PRK 6/2A GR

PRK 6/2A GR

Accessories

End plate

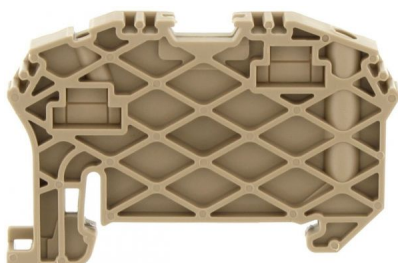


End plate, Width: 1.5 mm, Colour: Grey

In general

Order number	Article designation	GTIN (EAN)	Packaging unit
27109.6	PAP 6/2A	4044211224745	20 PC

End bracket



End stop, Mounting type: Mounting rail TS 35/7.5 and TS 35/15, Width: 6 mm, Colour: Beige

In general

Order number	Article designation	GTIN (EAN)	Packaging unit
3748.2	ZES 35	4044211060572	50 PC

27018.6

PRK 6/2A GR

PRK 6/2A GR

Accessories

Test plug



Test plug, Colour: Red

In general

Order number	Article designation	GTIN (EAN)	Packaging unit
2007.0	PS 2,3	4044211048105	20 PC

Insulated cross connector



Insulated cross-connector, No. of poles: 4, Mounting type: Plug in, Width: 29.8 mm, Colour: Red

In general

Order number	Article designation	GTIN (EAN)	Packaging unit
27154.9	PQI 6/4	4044211225360	20 PC

27018.6

PRK 6/2A GR

PRK 6/2A GR

Accessories

Insulated cross connector



Insulated cross-connector, No. of poles: 20, Mounting type: Plug in, Width: 159.4 mm, Colour: Red

In general

Order number	Article designation	GTIN (EAN)	Packaging unit
27161.9	PQI 6/20	4044211225391	50 PC



Insulated cross-connector, No. of poles: 2, Mounting type: Plug in, Width: 13.6 mm, Colour: Red

In general

Order number	Article designation	GTIN (EAN)	Packaging unit
27152.9	PQI 6/2	4044211225346	50 PC

27018.6

PRK 6/2A GR

PRK 6/2A GR

Accessories

Insulated cross connector



Insulated cross-connector, No. of poles: 3, Mounting type: Plug in, Width: 21.7 mm, Colour: Red

In general

Order number	Article designation	GTIN (EAN)	Packaging unit
27153.9	PQI 6/3	4044211225353	50 PC



Insulated cross-connector, No. of poles: 10, Mounting type: Plug in, Width: 78.4 mm, Colour: Red

In general

Order number	Article designation	GTIN (EAN)	Packaging unit
27160.9	PQI 6/10	4044211225384	10 PC

27018.6

PRK 6/2A GR

PRK 6/2A GR

Accessories

Screw driver



Screwdriver with bare blade, Colour: Black-grey

In general

Order number	Article designation	GTIN (EAN)	Packaging unit
1085.0	SDB 0,5x3,0	4044211014643	1 PC
