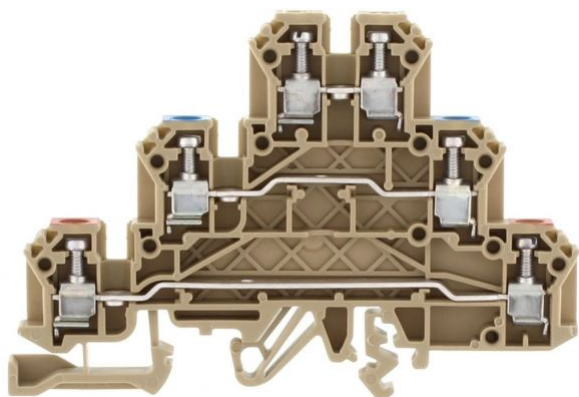


2269.2

IKD 2,5/F/Q BG

IKD 2,5/F/Q BG



EAC



M2.4



Three-level initiator terminal | Multi-wire terminal, Screw connection, Mounting type: Mounting rail TS 35/7.5 and TS 32, Rated cross-section: 2.5 mm², Width: 5 mm, Colour: Beige

Business data

Product description	Three-level initiator terminal
Packaging unit	50
Quantity unit	PC
Weight per piece (not including packaging)	15.4
Weight per piece (including packaging)	17.18
Unit of weight	G
Customs number	85369010
Country of origin	DE

2269.2

IKD 2,5/F/Q BG

IKD 2,5/F/Q BG

Technical Data

Dimensions

Length	84.8 mm
Width	5 mm
Height TS 35/7.5	58.3 mm
Height TS 32	62.8 mm

Ratings

Rated voltage	250 V
Rated current	24 A
Rated cross-section	2.5 mm ²
Rated impulse voltage	4 kV
Overvoltage category	III
Contamination degree	3

2269.2

IKD 2,5/F/Q BG

IKD 2,5/F/Q BG

Technical Data

Connection data

Connection principle	Screw connection
Connection position	Lateral
Connections	6
Number of terminals per level	2
Number of levels	3
Wire cross-section single-core (rigid) / stranded, min.	0.2 mm ²
Wire cross-section single core (rigid)/stranded, max.	4 mm ²
Wire cross-section stranded, min.	0.2 mm ²
Wire cross-section stranded, max.	4 mm ²
Wire cross-section stranded with wire-end ferrules, min.	0.2 mm ²
Wire cross-section stranded with wire-end ferrules, max.	2.5 mm ²
Wire cross-section AWG, min.	22
Wire cross-section AWG, max.	14
Stripping length	7 mm
Screw head	Slotted
Screw threading	M 2,4
Tightening torque, min.	0.4 Nm
Tightening torque, max.	0.8 Nm

2269.2

IKD 2,5/F/Q BG

IKD 2,5/F/Q BG

Technical Data

Materials

Insulation housing	Polyamide 6.6
Flammability class UL 94	V-2
Working temperature, min.	-40 °C
Working temperature, max.	105 °C

Further technical data

Mounting type	Mounting rail TS 35/7.5 and TS 32
Gauge plug acc. to EN 60 947-1	A3
Number of cross-connection channels	3
End plate required	✓
Can be cross-connected	✓

2269.2

IKD 2,5/F/Q BG

IKD 2,5/F/Q BG

Approvals

Standards and regulations

EAC approval	TR ZU 004/2011
--------------	----------------

EAC approval granted	✓
----------------------	---

CSA approval

CSA approval	C22.2 No 158
--------------	--------------

CSA approval granted	✓
----------------------	---

CSA Usegroup B: rated voltage	300 V
-------------------------------	-------

CSA Usegroup B: rated current	20 A
-------------------------------	------

CSA wire cross-section AWG, min.	22
----------------------------------	----

CSA wire cross-section AWG, max.	14
----------------------------------	----

CSA stripping length	7 mm
----------------------	------

CSAus approval

CSAus approval	UL 1059
----------------	---------

CSAus approval granted	✓
------------------------	---

CSAus Usegroup B: rated voltage	300 V
---------------------------------	-------

CSAus Usegroup B: rated current	20 A
---------------------------------	------

CSAus wire cross-section AWG, min.	22
------------------------------------	----

2269.2

IKD 2,5/F/Q BG

IKD 2,5/F/Q BG

Approvals

CSAus approval

CSAus wire cross-section AWG, max.	14
CSAus stripping length	7 mm

KEMA KEUR approval

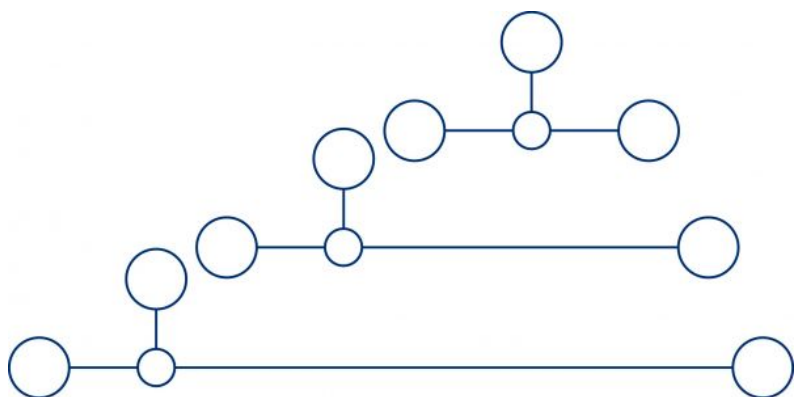
KEMA KEUR approval	EN 60947-7-1
KEMA KEUR approval granted	✓
KEMA rated voltage	250 V
KEMA rated current	24 A
KEMA rated impulse voltage	4 kV
KEMA wire cross-section single core (rigid), min.	0.2 mm ²
KEMA wire cross-section single-core (rigid), max.	4 mm ²
KEMA wire cross-section stranded, min.	0.2 mm ²
KEMA wire cross-section stranded, max.	4 mm ²
KEMA torque, min.	0.4 Nm
KEMA torque, max.	0.8 Nm

2269.2

IKD 2,5/F/Q BG

IKD 2,5/F/Q BG

Media



M2.4



EAC



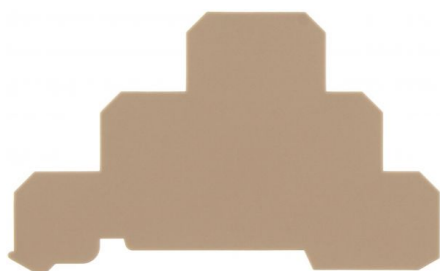
2269.2

IKD 2,5/F/Q BG

IKD 2,5/F/Q BG

Accessories

End plate

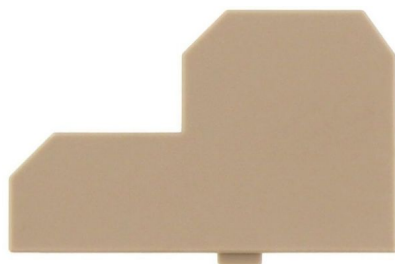


End plate, Colour: Beige

In general

Order number	Article designation	GTIN (EAN)	Packaging unit
2699.2	AP 2,5/ID	4044211054397	20 PC

End plate short



End plate, Colour: Beige

In general

Order number	Article designation	GTIN (EAN)	Packaging unit
2714.2	AP IKD 2,5/short	4044211054557	20 PC

2269.2

IKD 2,5/F/Q BG

IKD 2,5/F/Q BG

Accessories

Fastening screw



Mounting screw, M 2.5, Colour: natural

In general

Order number	Article designation	GTIN (EAN)	Packaging unit
2326.0	BS M 2,5x10	4044211051112	100 PC

Cross connector



Cross-connector, No. of poles: 98, Mounting type: Screwable, Width: 500 mm, Rated cross-section: 2.5 mm², Colour: natural

In general

Order number	Article designation	GTIN (EAN)	Packaging unit
2151.0	Q 0,5 m/98 Pole	4044211049720	1 PC

2269.2

IKD 2,5/F/Q BG

IKD 2,5/F/Q BG

Accessories

Cross connector



Cross-connector, No. of poles: 10, Mounting type: Can be screwed on, Width: 49.9 mm, Rated cross-section: 2.5 mm², Colour: natural

In general

Order number	Article designation	GTIN (EAN)	Packaging unit
2425.0	Q 10	4044211052072	10 PC



Cross-connector, No. of poles: 2, Mounting type: Can be screwed on, Width: 9.1 mm, Rated cross-section: 2.5 mm², Colour: natural

In general

Order number	Article designation	GTIN (EAN)	Packaging unit
2422.0	Q 2	4044211052041	50 PC

2269.2

IKD 2,5/F/Q BG

IKD 2,5/F/Q BG

Accessories

Cross connector



Cross-connector, No. of poles: 20, Mounting type: Can be screwed on, Width: 100.9 mm, Rated cross-section: 2.5 mm², Colour: natural

In general

Order number	Article designation	GTIN (EAN)	Packaging unit
2700.0	Q 20	4044211054410	10 PC



Cross-connector, No. of poles: 3, Mounting type: Can be screwed on, Width: 14.2 mm, Rated cross-section: 2.5 mm², Colour: natural

In general

Order number	Article designation	GTIN (EAN)	Packaging unit
2423.0	Q 3	4044211052058	50 PC

2269.2

IKD 2,5/F/Q BG

IKD 2,5/F/Q BG

Accessories

Cross connector



Cross-connector, No. of poles: 4, Mounting type: Can be screwed on, Width: 19.3 mm, Rated cross-section: 2.5 mm², Colour: natural

In general

Order number	Article designation	GTIN (EAN)	Packaging unit
2424.0	Q 4	4044211052065	20 PC

Cross connector rail



Cross-connection rail, No. of poles: 98, Mounting type: Can be screwed on, Width: 500 mm, Rated cross-section: 2.5 mm², Colour: natural

In general

Order number	Article designation	GTIN (EAN)	Packaging unit
2519.0	QS 0,5 m	4044211053215	1 PC

2269.2

IKD 2,5/F/Q BG

IKD 2,5/F/Q BG

Accessories

Cross connector rail



Cross-connection rail, No. of poles: 10, Mounting type: Can be screwed on, Width: 49.9 mm, Rated cross-section: 2.5 mm², Colour: natural

In general

Order number	Article designation	GTIN (EAN)	Packaging unit
2420.0	QS 10	4044211052027	10 PC



Cross-connection rail, No. of poles: 2, Mounting type: Can be screwed on, Width: 9.1 mm, Rated cross-section: 2.5 mm², Colour: natural

In general

Order number	Article designation	GTIN (EAN)	Packaging unit
2417.0	QS 2	4044211051990	100 PC

2269.2

IKD 2,5/F/Q BG

IKD 2,5/F/Q BG

Accessories

Cross connector rail



Cross-connection rail, No. of poles: 3, Mounting type: Can be screwed on, Width: 14.2 mm, Rated cross-section: 2.5 mm², Colour: natural

In general

Order number	Article designation	GTIN (EAN)	Packaging unit
2418.0	QS 3	4044211052003	100 PC



Cross-connection rail, No. of poles: 4, Mounting type: Can be screwed on, Width: 19.3 mm, Rated cross-section: 2.5 mm², Colour: natural

In general

Order number	Article designation	GTIN (EAN)	Packaging unit
2419.0	QS 4	4044211052010	50 PC

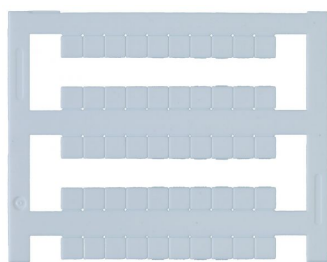
2269.2

IKD 2,5/F/Q BG

IKD 2,5/F/Q BG

Accessories

Quick-marking



Terminal marker / Pocket Maxicard, Length: 5 mm,
Width: 5 mm, Colour: White

In general

Order number	Article designation	GTIN (EAN)	Packaging unit
4600.7	PMC SB 5/50 WH	4044211088903	500 PC

Screw driver



Screwdriver with bare blade, Colour: Black-grey

In general

Order number	Article designation	GTIN (EAN)	Packaging unit
1085.0	SDB 0,5x3,0	4044211014643	1 PC

2269.2

IKD 2,5/F/Q BG

IKD 2,5/F/Q BG

Accessories

Connection sleeve



Connecting sleeve, Colour: natural

In general

Order number	Article designation	GTIN (EAN)	Packaging unit
2327.0	VH 5	4044211051129	100 PC
