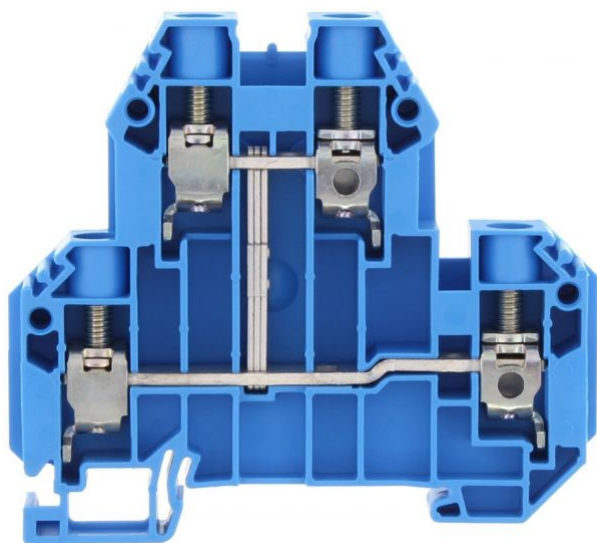


17191.5

SRKD 10/SV BU

SRKD 10/SV BU



M4

EAC



CE US

Double-level terminal, Screw connection, Mounting type: Mounting rail TS 35/7.5, Rated cross-section: 16 mm², Width: 10.1 mm, Colour: Blue

Business data

Product description	Double-level terminal
Packaging unit	50
Quantity unit	PC
Weight per piece (not including packaging)	36.62
Weight per piece (including packaging)	37.62
Unit of weight	G
Customs number	85369010
Country of origin	DE

17191.5

SRKD 10/SV BU

SRKD 10/SV BU

Technical Data

Dimensions

Length	76 mm
Width	10.1 mm
Height TS 35/7.5	68 mm

Ratings

Rated voltage	1000 V
Rated current	57 A
Current load, max.	76 A
Rated cross-section	10 mm ²
Rated impulse voltage	8 kV
Overvoltage category	III
Contamination degree	3

17191.5

SRKD 10/SV BU

SRKD 10/SV BU

Technical Data

Connection data

Connection principle	Screw connection
Connection position	Lateral
Connections	4
Number of terminals per level	2
Number of levels	2
Levels internally bridged	✓
Wire cross-section single-core (rigid) / stranded, min.	0.2 mm ²
Wire cross-section single core (rigid)/stranded, max.	16 mm ²
Wire cross-section stranded, min.	0.2 mm ²
Wire cross-section stranded, max.	16 mm ²
Wire cross-section stranded with wire-end ferrules, min.	0.2 mm ²
Wire cross-section stranded with wire-end ferrules, max.	10 mm ²
Wire cross-section AWG, min.	18
Wire cross-section AWG, max.	6
Stripping length	10 mm
Screw head	Slotted
Screw threading	M 4
Tightening torque, min.	1.2 Nm
Tightening torque, max.	2.4 Nm

17191.5

SRKD 10/SV BU

SRKD 10/SV BU

Technical Data

Materials

Insulation housing	Polyamide 6.6
--------------------	---------------

Flammability class UL 94	V-0
--------------------------	-----

Working temperature, min.	-40 °C
---------------------------	--------

Working temperature, max.	120 °C
---------------------------	--------

Further technical data

Mounting type	Mounting rail TS 35/7,5
---------------	-------------------------

Gauge plug acc. to EN 60 947-1	B7
--------------------------------	----

Number of cross-connection channels	2
-------------------------------------	---

End plate required	✓
--------------------	---

Number of test pick-off options	1
---------------------------------	---

17191.5

SRKD 10/SV BU

SRKD 10/SV BU

Approvals

Standards and regulations

EAC approval	TR ZU 004/2011
EAC approval granted	✓

cUL Recognized

cUL Recognized	C22.2 No 158
cUL Recognized	✓
cUL Usegroup B: rated voltage	600 V
cUL Usegroup B: rated current	65 A
cUL Usegroup C: rated voltage	600 V
cUL Usegroup C: rated current	65 A
cUL Usegroup D: rated voltage	600 V
cUL Usegroup D: rated current	65 A
cUL wire cross-section single-core (rigid) AWG, min.	18
cUL wire cross-section single-core (rigid) AWG, max.	6
cUL wire cross-section stranded AWG, min.	18
cUL wire cross-section stranded AWG, max.	6
cUL torque, min.	2 Nm
cUL torque, max.	4 Nm
cUL wire material	Cu

KEMA KEUR approval

KEMA KEUR approval	EN 60947-7-1
KEMA KEUR approval granted	✓
KEMA rated voltage	1000 V
KEMA rated current	57 A
KEMA rated impulse voltage	8 kV
KEMA wire cross-section single core (rigid), min.	0.2 mm ²
KEMA wire cross-section single-core (rigid), max.	16 mm ²
KEMA wire cross-section stranded, min.	0.2 mm ²
KEMA wire cross-section stranded, max.	16 mm ²

17191.5

SRKD 10/SV BU

SRKD 10/SV BU

Approvals

UL Recognized

UL Recognized	UL 1059
UL Recognized granted	✓
UL Usegroup B: rated voltage	600 V
UL Usegroup B: rated current	65 A
UL Usegroup C: rated voltage	600 V
UL Usegroup C: rated current	65 A
UL Usegroup D: rated voltage	600 V
UL Usegroup D: rated current	65 A
UL wire cross-section single-core (rigid) AWG, min.	18
UL wire cross-section single-core (rigid) AWG, max.	6
UL wire cross-section stranded AWG, min.	18
UL wire cross-section stranded AWG, max.	6
UL torque, min.	17.7 Lb In.
UL torque, max.	35.4 Lb In.
UL wire material	Cu
UL factory wiring	✓
UL field wiring	✓

17191.5

SRKD 10/SV BU

SRKD 10/SV BU

Media



EAC



CRA[®]US

17191.5

SRKD 10/SV BU

SRKD 10/SV BU

Accessories

End plate



End plate, Width: 1.5 mm, Colour: Beige

In general

Order number	Article designation	GTIN (EAN)	Packaging unit
17293.2	SAPD 10	4044211190859	20 PC

End bracket



End stop, Mounting type: Mounting rail TS 35/7.5 and TS 35/15, Width: 8 mm, Colour: Beige

In general

Order number	Article designation	GTIN (EAN)	Packaging unit
17250.2	SES 35	4044211178253	50 PC

17191.5

SRKD 10/SV BU

SRKD 10/SV BU

Accessories

Insulating cover for cross-connector



Insulating cap, Colour: Yellow

In general

Order number	Article designation	GTIN (EAN)	Packaging unit
17200.8	SQIK 2,5-10	4044211148539	20 PC

Insulated cross connector



Insulated cross-connector, No. of poles: 10, Mounting type: Plug in, Width: 98.3 mm, Rated cross-section: 10 mm², Colour: Yellow

In general

Order number	Article designation	GTIN (EAN)	Packaging unit
17239.8	SQI 10/10	4044211148928	5 PC

17191.5

SRKD 10/SV BU

SRKD 10/SV BU

Accessories

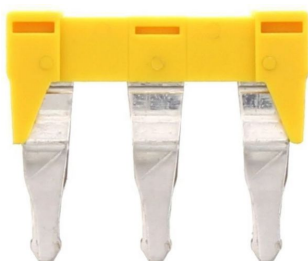
Insulated cross connector



Insulated cross-connector, No. of poles: 2, Mounting type: Plug in, Width: 17.5 mm, Rated cross-section: 10 mm², Colour: Yellow

In general

Order number	Article designation	GTIN (EAN)	Packaging unit
17231.8	SQI 10/2	4044211148843	50 PC



Insulated cross-connector, No. of poles: 3, Mounting type: Plug in, Width: 27.6 mm, Rated cross-section: 10 mm², Colour: Yellow

In general

Order number	Article designation	GTIN (EAN)	Packaging unit
17232.8	SQI 10/3	4044211148850	50 PC

17191.5

SRKD 10/SV BU

SRKD 10/SV BU

Accessories

Insulated cross connector



Insulated cross-connector, No. of poles: 30, Mounting type: Plug in, Width: 300.3 mm, Rated cross-section: 10 mm², Colour: Yellow

In general

Order number	Article designation	GTIN (EAN)	Packaging unit
17240.8	SQI 10/30	4044211148935	5 PC



Insulated cross-connector, No. of poles: 4, Mounting type: Plug in, Width: 37.7 mm, Rated cross-section: 10 mm², Colour: Yellow

In general

Order number	Article designation	GTIN (EAN)	Packaging unit
17233.8	SQI 10/4	4044211148867	20 PC

17191.5

SRKD 10/SV BU

SRKD 10/SV BU

Accessories

Insulated cross connector



Insulated cross-connector, No. of poles: 5, Mounting type: Plug in, Width: 47.8 mm, Rated cross-section: 10 mm², Colour: Yellow

In general

Order number	Article designation	GTIN (EAN)	Packaging unit
17234.8	SQI 10/5	4044211148874	20 PC



Insulated cross-connector, No. of poles: 6, Mounting type: Plug in, Width: 57.9 mm, Rated cross-section: 10 mm², Colour: Yellow

In general

Order number	Article designation	GTIN (EAN)	Packaging unit
17235.8	SQI 10/6	4044211148881	20 PC

17191.5

SRKD 10/SV BU

SRKD 10/SV BU

Accessories

Insulated cross connector



Insulated cross-connector, No. of poles: 7, Mounting type: Plug in, Width: 68 mm, Rated cross-section: 10 mm², Colour: Yellow

In general

Order number	Article designation	GTIN (EAN)	Packaging unit
17236.8	SQI 10/7	4044211148898	20 PC



Insulated cross-connector, No. of poles: 8, Mounting type: Plug in, Width: 78.1 mm, Rated cross-section: 10 mm², Colour: Yellow

In general

Order number	Article designation	GTIN (EAN)	Packaging unit
17237.8	SQI 10/8	4044211148904	10 PC

17191.5

SRKD 10/SV BU

SRKD 10/SV BU

Accessories

Insulated cross connector



Insulated cross-connector, No. of poles: 9, Mounting type: Plug in, Width: 88.2 mm, Rated cross-section: 10 mm², Colour: Yellow

In general

Order number	Article designation	GTIN (EAN)	Packaging unit
17238.8	SQI 10/9	4044211148911	10 PC

Screw driver



Screwdriver with bare blade, Colour: Black-grey

In general

Order number	Article designation	GTIN (EAN)	Packaging unit
1087.0	SDB 0,8x4,0	4044211014803	1 PC

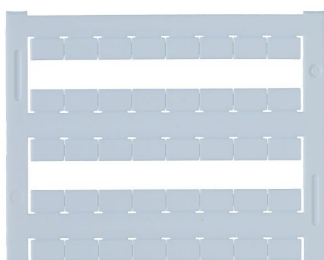
17191.5

SRKD 10/SV BU

SRKD 10/SV BU

Accessories

Quick-marking



Terminal marker / Pocket Maxicard, Length: 5 mm,
Width: 8 mm, Colour: White

In general

Order number	Article designation	GTIN (EAN)	Packaging unit
9323.7	PMC SB 8/40 WH	4044211129231	400 PC
