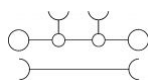
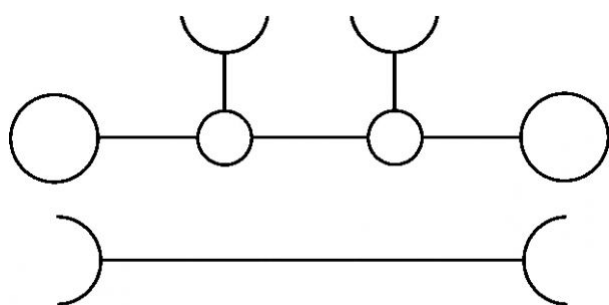


17118.1

SRK 10/2A SAS GN

SRK 10/2A SAS GN



M4

EAC



Feed-through terminal, Screw connection, Mounting type: Mounting rail TS 35/7.5, Rated cross-section: 16 mm<sup>2</sup>, Width: 10 mm, Colour: Green

## Business data

Product description	Feed-through terminal
Packaging unit	80
Quantity unit	PC
Weight per piece (not including packaging)	16.7
Weight per piece (including packaging)	17.7
Unit of weight	G
Customs number	85369010
Country of origin	DE

17118.1

SRK 10/2A SAS GN

SRK 10/2A SAS GN

## Technical Data

---

### Dimensions

---

Length	62.5 mm
Width	10 mm
Height TS 35/7.5	47 mm

### Ratings

---

Rated voltage	250 V
Rated current	57 A
Current load, max.	76 A
Rated cross-section	16 mm <sup>2</sup>
Rated impulse voltage	8 kV
Overvoltage category	III
Contamination degree	3

17118.1

SRK 10/2A SAS GN

SRK 10/2A SAS GN

## Technical Data

---

### Connection data

Connection principle	Screw connection
Connection position	Lateral
Connections	4
Special connection	Flachstecker Faston 2,8 mm
Number of terminals per level	2
Number of levels	1
Wire cross-section single-core (rigid) / stranded, min.	0.2 mm <sup>2</sup>
Wire cross-section single core (rigid)/stranded, max.	16 mm <sup>2</sup>
Wire cross-section stranded, min.	0.2 mm <sup>2</sup>
Wire cross-section stranded, max.	16 mm <sup>2</sup>
Wire cross-section stranded with wire-end ferrules, min.	0.2 mm <sup>2</sup>
Wire cross-section stranded with wire-end ferrules, max.	10 mm <sup>2</sup>
Wire cross-section AWG, min.	18
Wire cross-section AWG, max.	6
Stripping length	10 mm
Screw head	Slotted
Screw threading	M 4
Tightening torque, min.	1.2 Nm
Tightening torque, max.	2.4 Nm

17118.1

SRK 10/2A SAS GN

SRK 10/2A SAS GN

## Technical Data

---

### Materials

---

Insulation housing	Polyamide 6.6
--------------------	---------------

Flammability class UL 94	V-0
--------------------------	-----

Working temperature, min.	-40 °C
---------------------------	--------

Working temperature, max.	120 °C
---------------------------	--------

### Further technical data

---

Mounting type	Mounting rail TS 35/7,5
---------------	-------------------------

Gauge plug acc. to EN 60 947-1	B7
--------------------------------	----

Number of cross-connection channels	2
-------------------------------------	---

End plate required	✓
--------------------	---

Number of test pick-off options	1
---------------------------------	---

17118.1

SRK 10/2A SAS GN

SRK 10/2A SAS GN

## Approvals

---

### Standards and regulations

---

EAC approval	TR ZU 004/2011
--------------	----------------

EAC approval granted	✓
----------------------	---

### German Lloyd approval

---

GL approval	IEC 60947-7-1
-------------	---------------

GL approval granted	✓
---------------------	---

GL rated voltage	1000 V
------------------	--------

GL rated current	76 A
------------------	------

GL rated cross-section	10 mm <sup>2</sup>
------------------------	--------------------

GL rated impulse voltage	8 kV
--------------------------	------

GL environmental category	C
---------------------------	---

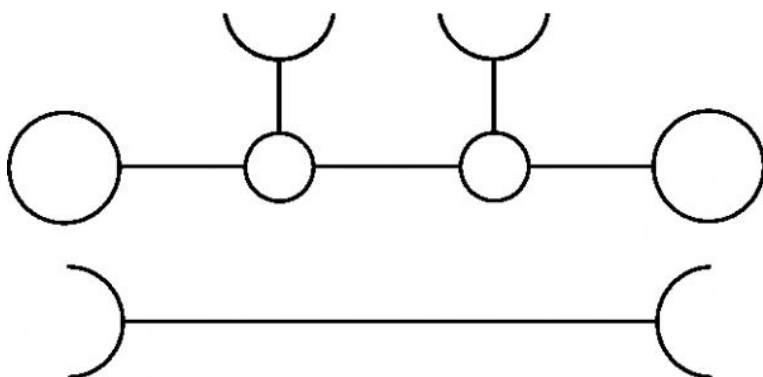
17118.1

SRK 10/2A SAS GN

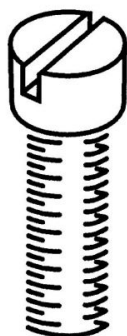
SRK 10/2A SAS GN

## Media

---



**M4**



**EAC**



17118.1

SRK 10/2A SAS GN

SRK 10/2A SAS GN

## Accessories

---

### Cover

---



Cover, Width: 10 mm, Colour: Yellow

---

### In general

Order number	Article designation	GTIN (EAN)	Packaging unit
17298.8	SAD 1/10/B	4044211205461	50 PC

---

### Measurement pick-off terminal

---



Measurement pick-off terminal, Screw connection, Mounting type: On base, Rated cross-section: 10 mm<sup>2</sup>, Width: 8.3 mm, Colour: Beige

---

### In general

Order number	Article designation	GTIN (EAN)	Packaging unit
17122.2	SMAG 10/6	4044211172121	10 PC

---

17118.1

SRK 10/2A SAS GN

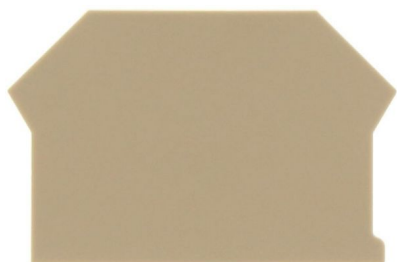
SRK 10/2A SAS GN

## Accessories

---

### End plate

---



End plate, Width: 1.5 mm, Colour: Beige

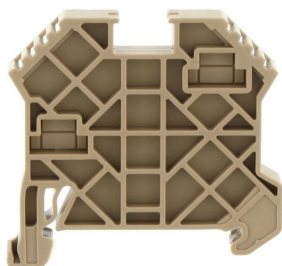
### In general

Order number	Article designation	GTIN (EAN)	Packaging unit
2001.2	AP 2,5-10	4044211047979	50 PC

---

### End bracket

---



End stop, Mounting type: Mounting rail TS 35/7.5 and TS 35/15, Width: 8 mm, Colour: Beige

### In general

Order number	Article designation	GTIN (EAN)	Packaging unit
17250.2	SES 35	4044211178253	50 PC

---



17118.1

SRK 10/2A SAS GN

SRK 10/2A SAS GN

## Accessories

---

### Insulating cover for cross-connector

---



Insulating cap, Colour: Yellow

### In general

Order number	Article designation	GTIN (EAN)	Packaging unit
17200.8	SQIK 2,5-10	4044211148539	20 PC

---

### Insulated cross connector

---



Insulated cross-connector, No. of poles: 10, Mounting type: Plug in, Width: 98.3 mm, Rated cross-section: 10 mm<sup>2</sup>, Colour: Yellow

### In general

Order number	Article designation	GTIN (EAN)	Packaging unit
17239.8	SQI 10/10	4044211148928	5 PC

---

17118.1

SRK 10/2A SAS GN

SRK 10/2A SAS GN

## Accessories

---

### Insulated cross connector

---



Insulated cross-connector, No. of poles: 2, Mounting type: Plug in, Width: 17.5 mm, Rated cross-section: 10 mm<sup>2</sup>, Colour: Yellow

### In general

Order number	Article designation	GTIN (EAN)	Packaging unit
17231.8	SQI 10/2	4044211148843	50 PC

---



Insulated cross-connector, No. of poles: 3, Mounting type: Plug in, Width: 27.6 mm, Rated cross-section: 10 mm<sup>2</sup>, Colour: Yellow

### In general

Order number	Article designation	GTIN (EAN)	Packaging unit
17232.8	SQI 10/3	4044211148850	50 PC

---

17118.1

SRK 10/2A SAS GN

SRK 10/2A SAS GN

## Accessories

---

### Insulated cross connector

---



Insulated cross-connector, No. of poles: 30, Mounting type: Plug in, Width: 300.3 mm, Rated cross-section: 10 mm<sup>2</sup>, Colour: Yellow

### In general

Order number	Article designation	GTIN (EAN)	Packaging unit
17240.8	SQI 10/30	4044211148935	5 PC

---



Insulated cross-connector, No. of poles: 4, Mounting type: Plug in, Width: 37.7 mm, Rated cross-section: 10 mm<sup>2</sup>, Colour: Yellow

### In general

Order number	Article designation	GTIN (EAN)	Packaging unit
17233.8	SQI 10/4	4044211148867	20 PC

---

17118.1

SRK 10/2A SAS GN

SRK 10/2A SAS GN

## Accessories

---

### Insulated cross connector

---



Insulated cross-connector, No. of poles: 5, Mounting type: Plug in, Width: 47.8 mm, Rated cross-section: 10 mm<sup>2</sup>, Colour: Yellow

### In general

Order number	Article designation	GTIN (EAN)	Packaging unit
17234.8	SQI 10/5	4044211148874	20 PC

---



Insulated cross-connector, No. of poles: 6, Mounting type: Plug in, Width: 57.9 mm, Rated cross-section: 10 mm<sup>2</sup>, Colour: Yellow

### In general

Order number	Article designation	GTIN (EAN)	Packaging unit
17235.8	SQI 10/6	4044211148881	20 PC

---

17118.1

SRK 10/2A SAS GN

SRK 10/2A SAS GN

## Accessories

---

### Insulated cross connector

---



Insulated cross-connector, No. of poles: 7, Mounting type: Plug in, Width: 68 mm, Rated cross-section: 10 mm<sup>2</sup>, Colour: Yellow

#### In general

Order number	Article designation	GTIN (EAN)	Packaging unit
17236.8	SQI 10/7	4044211148898	20 PC

---



Insulated cross-connector, No. of poles: 8, Mounting type: Plug in, Width: 78.1 mm, Rated cross-section: 10 mm<sup>2</sup>, Colour: Yellow

#### In general

Order number	Article designation	GTIN (EAN)	Packaging unit
17237.8	SQI 10/8	4044211148904	10 PC

---

17118.1

SRK 10/2A SAS GN

SRK 10/2A SAS GN

## Accessories

---

### Insulated cross connector

---



Insulated cross-connector, No. of poles: 9, Mounting type: Plug in, Width: 88.2 mm, Rated cross-section: 10 mm<sup>2</sup>, Colour: Yellow

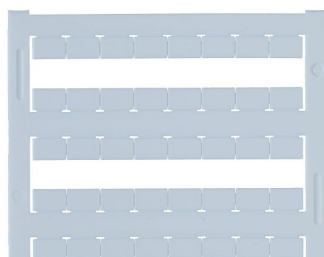
### In general

Order number	Article designation	GTIN (EAN)	Packaging unit
17238.8	SQI 10/9	4044211148911	10 PC

---

### Quick-marking

---



Terminal marker / Pocket Maxicard, Length: 5 mm, Width: 8 mm, Colour: White

### In general

Order number	Article designation	GTIN (EAN)	Packaging unit
9323.7	PMC SB 8/40 WH	4044211129231	400 PC

---

17118.1

SRK 10/2A SAS GN

SRK 10/2A SAS GN

## Accessories

---

### Screw driver

---



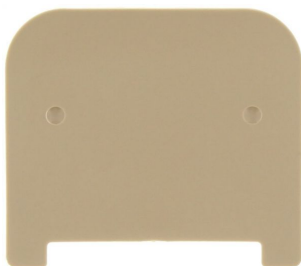
Screwdriver with bare blade, Colour: Black-grey

### In general

Order number	Article designation	GTIN (EAN)	Packaging unit
1087.0	SDB 0,8x4,0	4044211014803	1 PC

### Partition plate

---



Partition plate, Width: 1.5 mm, Colour: Beige

### In general

Order number	Article designation	GTIN (EAN)	Packaging unit
2002.2	TW 2,5-10	4044211048044	50 PC