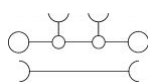
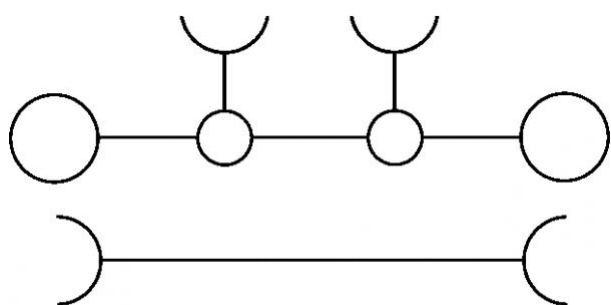


17117.7

SRK 6/2A SAS WH

SRK 6/2A SAS WH



M3.5



ERC



Feed-through terminal, Screw connection, Mounting type: Mounting rail TS 35/7.5, Rated cross-section: 10 mm², Width: 8 mm, Colour: White

Business data

Product description	Feed-through terminal
Packaging unit	80
Quantity unit	PC
Weight per piece (not including packaging)	13.4
Weight per piece (including packaging)	14.26
Unit of weight	G
Customs number	85369010
Country of origin	DE

17117.7

SRK 6/2A SAS WH

SRK 6/2A SAS WH

Technical Data

Dimensions

Length	62.5 mm
Width	8 mm
Height TS 35/7.5	47 mm

Ratings

Rated voltage	320 V
Rated current	41 A
Current load, max.	57 A
Rated cross-section	10 mm ²
Rated impulse voltage	8 kV
Overvoltage category	III
Contamination degree	3

17117.7

SRK 6/2A SAS WH

SRK 6/2A SAS WH

Technical Data

Connection data

Connection principle	Screw connection
Connection position	Lateral
Connections	4
Special connection	Flachstecker Faston 2,8 mm
Number of terminals per level	2
Number of levels	1
Wire cross-section single-core (rigid) / stranded, min.	0.2 mm ²
Wire cross-section single core (rigid)/stranded, max.	10 mm ²
Wire cross-section stranded, min.	0.2 mm ²
Wire cross-section stranded, max.	10 mm ²
Wire cross-section stranded with wire-end ferrules, min.	0.2 mm ²
Wire cross-section stranded with wire-end ferrules, max.	6 mm ²
Wire cross-section AWG, min.	22
Wire cross-section AWG, max.	8
Stripping length	10 mm
Screw head	Slotted
Screw threading	M 3,5
Tightening torque, min.	0.8 Nm
Tightening torque, max.	1.6 Nm

17117.7

SRK 6/2A SAS WH

SRK 6/2A SAS WH

Technical Data

Materials

Insulation housing	Polyamide 6.6
--------------------	---------------

Flammability class UL 94	V-0
--------------------------	-----

Working temperature, min.	-40 °C
---------------------------	--------

Working temperature, max.	120 °C
---------------------------	--------

Further technical data

Mounting type	Mounting rail TS 35/7,5
---------------	-------------------------

Gauge plug acc. to EN 60 947-1	A5
--------------------------------	----

Number of cross-connection channels	2
-------------------------------------	---

End plate required	✓
--------------------	---

Number of test pick-off options	1
---------------------------------	---

17117.7

SRK 6/2A SAS WH

SRK 6/2A SAS WH

Approvals

Standards and regulations

EAC approval	TR ZU 004/2011
--------------	----------------

EAC approval granted	✓
----------------------	---

German Lloyd approval

GL approval	IEC 60947-7-1
-------------	---------------

GL approval granted	✓
---------------------	---

GL rated voltage	1000 V
------------------	--------

GL rated current	57 A
------------------	------

GL rated cross-section	6 mm ²
------------------------	-------------------

GL rated impulse voltage	8 kV
--------------------------	------

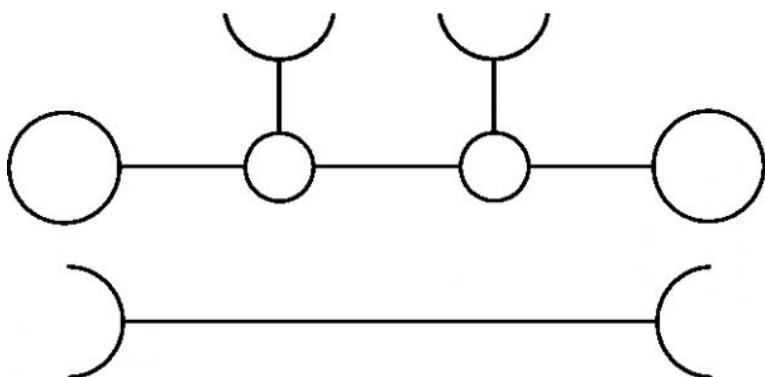
GL environmental category	C
---------------------------	---

17117.7

SRK 6/2A SAS WH

SRK 6/2A SAS WH

Media



M3.5



EAC



17117.7

SRK 6/2A SAS WH

SRK 6/2A SAS WH

Accessories

Cover



Cover, Width: 8 mm, Colour: Yellow

In general

Order number	Article designation	GTIN (EAN)	Packaging unit
17297.8	SAD 1/8/B	4044211205454	50 PC

Measurement pick-off terminal



Measurement pick-off terminal, Screw connection, Mounting type: On base, Rated cross-section: 4 mm², Width: 6.6 mm, Colour: Beige

In general

Order number	Article designation	GTIN (EAN)	Packaging unit
17121.2	SMAG 6/4	4044211172114	10 PC

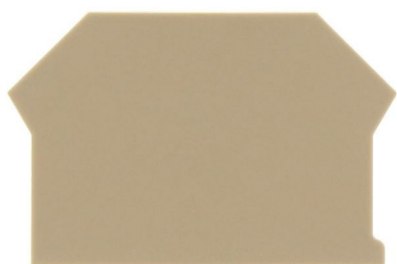
17117.7

SRK 6/2A SAS WH

SRK 6/2A SAS WH

Accessories

End plate

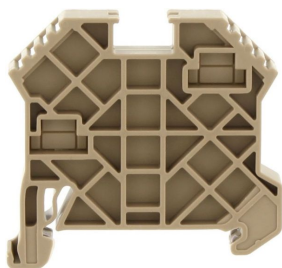


End plate, Width: 1.5 mm, Colour: Beige

In general

Order number	Article designation	GTIN (EAN)	Packaging unit
2001.2	AP 2,5-10	4044211047979	50 PC

End bracket



End stop, Mounting type: Mounting rail TS 35/7.5 and TS 35/15, Width: 8 mm, Colour: Beige

In general

Order number	Article designation	GTIN (EAN)	Packaging unit
17250.2	SES 35	4044211178253	50 PC

17117.7

SRK 6/2A SAS WH

SRK 6/2A SAS WH

Accessories

Insulating cover for cross-connector



Insulating cap, Colour: Yellow

In general

Order number	Article designation	GTIN (EAN)	Packaging unit
17200.8	SQIK 2,5-10	4044211148539	20 PC

Insulated cross connector



Insulated cross-connector, No. of poles: 10, Mounting type: Plug in, Width: 79.1 mm, Rated cross-section: 6 mm², Colour: Yellow

In general

Order number	Article designation	GTIN (EAN)	Packaging unit
17229.8	SQI 6/10	4044211148829	10 PC

17117.7

SRK 6/2A SAS WH

SRK 6/2A SAS WH

Accessories

Insulated cross connector



Insulated cross-connector, No. of poles: 2, Mounting type: Plug in, Width: 14.3 mm, Rated cross-section: 6 mm², Colour: Yellow

In general

Order number	Article designation	GTIN (EAN)	Packaging unit
17221.8	SQI 6/2	4044211148744	50 PC



Insulated cross-connector, No. of poles: 3, Mounting type: Plug in, Width: 22.4 mm, Rated cross-section: 6 mm², Colour: Yellow

In general

Order number	Article designation	GTIN (EAN)	Packaging unit
17222.8	SQI 6/3	4044211148751	50 PC

17117.7

SRK 6/2A SAS WH

SRK 6/2A SAS WH

Accessories

Insulated cross connector



Insulated cross-connector, No. of poles: 30, Mounting type: Plug in, Width: 240 mm, Rated cross-section: 6 mm², Colour: Yellow

In general

Order number	Article designation	GTIN (EAN)	Packaging unit
17230.8	SQI 6/30	4044211148836	5 PC



Insulated cross-connector, No. of poles: 4, Mounting type: Plug in, Width: 30.5 mm, Rated cross-section: 6 mm², Colour: Yellow

In general

Order number	Article designation	GTIN (EAN)	Packaging unit
17223.8	SQI 6/4	4044211148768	20 PC

17117.7

SRK 6/2A SAS WH

SRK 6/2A SAS WH

Accessories

Insulated cross connector



Insulated cross-connector, No. of poles: 5, Mounting type: Plug in, Width: 38.6 mm, Rated cross-section: 6 mm², Colour: Yellow

In general

Order number	Article designation	GTIN (EAN)	Packaging unit
17224.8	SQI 6/5	4044211148775	20 PC



Insulated cross-connector, No. of poles: 6, Mounting type: Plug in, Width: 46.7 mm, Rated cross-section: 6 mm², Colour: Yellow

In general

Order number	Article designation	GTIN (EAN)	Packaging unit
17225.8	SQI 6/6	4044211148782	20 PC

17117.7

SRK 6/2A SAS WH

SRK 6/2A SAS WH

Accessories

Insulated cross connector



Insulated cross-connector, No. of poles: 7, Mounting type: Plug in, Width: 54.8 mm, Rated cross-section: 6 mm², Colour: Yellow

In general

Order number	Article designation	GTIN (EAN)	Packaging unit
17226.8	SQI 6/7	4044211148799	20 PC



Insulated cross-connector, No. of poles: 8, Mounting type: Plug in, Width: 62.9 mm, Rated cross-section: 6 mm², Colour: Yellow

In general

Order number	Article designation	GTIN (EAN)	Packaging unit
17227.8	SQI 6/8	4044211148805	10 PC

17117.7

SRK 6/2A SAS WH

SRK 6/2A SAS WH

Accessories

Insulated cross connector

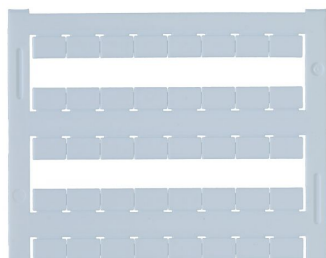


Insulated cross-connector, No. of poles: 9, Mounting type: Plug in, Width: 71 mm, Rated cross-section: 6 mm², Colour: Yellow

In general

Order number	Article designation	GTIN (EAN)	Packaging unit
17228.8	SQI 6/9	4044211148812	10 PC

Quick-marking



Terminal marker / Pocket Maxicard, Length: 5 mm, Width: 8 mm, Colour: White

In general

Order number	Article designation	GTIN (EAN)	Packaging unit
9323.7	PMC SB 8/40 WH	4044211129231	400 PC

17117.7

SRK 6/2A SAS WH

SRK 6/2A SAS WH

Accessories

Screw driver

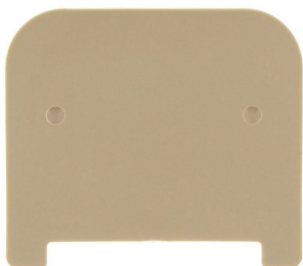


Screwdriver with bare blade, Colour: Black-grey

In general

Order number	Article designation	GTIN (EAN)	Packaging unit
1087.0	SDB 0,8x4,0	4044211014803	1 PC

Partition plate



Partition plate, Width: 1.5 mm, Colour: Beige

In general

Order number	Article designation	GTIN (EAN)	Packaging unit
2002.2	TW 2,5-10	4044211048044	50 PC