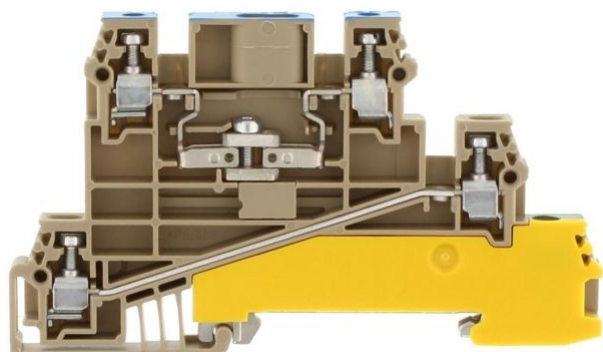


1417.2

DLI 2,5 PE/L/NT BG

DLI 2,5 PE/L/NT BG



M2.5



EAC

Three-wire installation terminal, Screw connection, Mounting type: Mounting rail TS 35/7.5, Rated cross-section: 2.5 mm², Width: 6 mm, Colour: Beige

Business data

Product description	Three-wire installation terminals
Packaging unit	50
Quantity unit	PC
Weight per piece (not including packaging)	27.4
Weight per piece (including packaging)	28.76
Unit of weight	G
Customs number	85369010
Country of origin	DE

1417.2

DLI 2,5 PE/L/NT BG

DLI 2,5 PE/L/NT BG

Technical Data

Dimensions

Length	90.5 mm
Width	6 mm
Height TS 35/7.5	53 mm

Ratings

Rated voltage	400 V
Rated current	24 A
Rated cross-section	2.5 mm ²
Rated impulse voltage	4 kV
Overvoltage category	III
Contamination degree	3

1417.2

DLI 2,5 PE/L/NT BG

DLI 2,5 PE/L/NT BG

Technical Data

Connection data

Connection principle	Screw connection
Connection position	Lateral
Connections	5
Number of potentials	3
Wire cross-section single-core (rigid) / stranded, min.	0.2 mm ²
Wire cross-section single core (rigid)/stranded, max.	4 mm ²
Wire cross-section stranded, min.	0.2 mm ²
Wire cross-section stranded, max.	4 mm ²
Wire cross-section stranded with wire-end ferrules, min.	0.2 mm ²
Wire cross-section stranded with wire-end ferrules, max.	2.5 mm ²
Wire cross-section AWG, min.	22
Wire cross-section AWG, max.	14
Stripping length	8 mm
Screw head	Slotted
Screw threading	M 2,5
Tightening torque, min.	0.4 Nm
Tightening torque, max.	0.8 Nm
N-function possible	✓
PE function is possible	✓
N partition slides available	✓

Materials

Insulation housing	Polyamide 6.6
Flammability class UL 94	V-2
Working temperature, min.	-40 °C
Working temperature, max.	105 °C

Further technical data

© CONTA-CLIP Verbindungstechnik GmbH | Otto-Hahn-Str. 7 | D-33161 Hövelhof
 Fon +49 (0) 52 57.98 33-0 | Fax +49 (0) 52 57.98 33-33 | E-Mail info@conta-clip.de | conta-clip.de

Mounting type

Mounting rail TS 35/7,5

Gauge plug acc. to EN 60 947-1

Creation date 24.02.2021 01:36:44
 Subject to technical modifications

A3

Further technical data

Datasheet



Number of cross-connection channels 3

End plate required ✓

DLI 2,5 PE/L/NT BG
DLI 2,5 PE/L/NT BG

Technical Data

1417.2

DLI 2,5 PE/L/NT BG

DLI 2,5 PE/L/NT BG

Approvals

Standards and regulations

EAC approval

TR ZU 004/2011

EAC approval granted

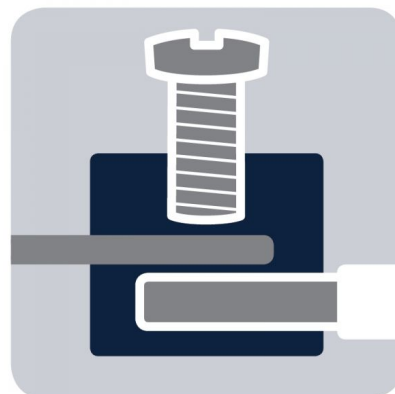
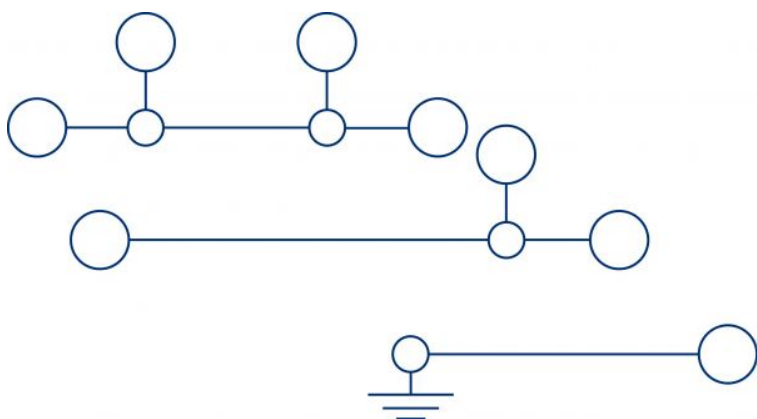
✓

1417.2

DLI 2,5 PE/L/NT BG

DLI 2,5 PE/L/NT BG

Media



M2.5



EAC

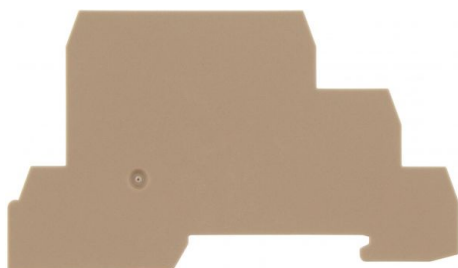
1417.2

DLI 2,5 PE/L/NT BG

DLI 2,5 PE/L/NT BG

Accessories

End plate

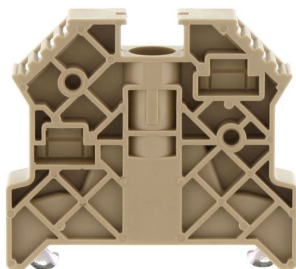


End plate, Width: 1.5 mm, Colour: Beige

In general

Order number	Article designation	GTIN (EAN)	Packaging unit
2831.2	AP 2,5/D	4044211055561	20 PC

End bracket



End stop, Mounting type: Mounting rail TS 35/7.5,
Width: 9.5 mm, Colour: Beige

In general

Order number	Article designation	GTIN (EAN)	Packaging unit
2828.0	ES 35/K/ST	4044211055547	50 PC

1417.2

DLI 2,5 PE/L/NT BG

DLI 2,5 PE/L/NT BG

Accessories

Cross connector



Cross-connector, No. of poles: 82, Mounting type: Screwable, Width: 500 mm, Rated cross-section: 2.5 mm², Colour: natural

In general

Order number	Article designation	GTIN (EAN)	Packaging unit
2154.0	Q 0,5 m/82 Pole	4044211049751	1 PC



Cross-connector, No. of poles: 10, Mounting type: Can be screwed on, Width: 59.3 mm, Rated cross-section: 2.5 mm², Colour: natural

In general

Order number	Article designation	GTIN (EAN)	Packaging unit
2835.0	Q 10	4044211055608	10 PC

1417.2

DLI 2,5 PE/L/NT BG

DLI 2,5 PE/L/NT BG

Accessories

Cross connector



Cross-connector, No. of poles: 2, Mounting type: Can be screwed on, Width: 10.5 mm, Rated cross-section: 2.5 mm², Colour: natural

In general

Order number	Article designation	GTIN (EAN)	Packaging unit
2832.0	Q 2	4044211055578	50 PC



Cross-connector, No. of poles: 20, Mounting type: Can be screwed on, Width: 120.3 mm, Rated cross-section: 2.5 mm², Colour: natural

In general

Order number	Article designation	GTIN (EAN)	Packaging unit
2836.0	Q 20	4044211055615	10 PC

1417.2

DLI 2,5 PE/L/NT BG

DLI 2,5 PE/L/NT BG

Accessories

Cross connector



Cross-connector, No. of poles: 3, Mounting type: Can be screwed on, Width: 16.6 mm, Rated cross-section: 2.5 mm², Colour: natural

In general

Order number	Article designation	GTIN (EAN)	Packaging unit
2833.0	Q 3	4044211055585	50 PC



Cross-connector, No. of poles: 4, Mounting type: Can be screwed on, Width: 22.7 mm, Rated cross-section: 2.5 mm², Colour: natural

In general

Order number	Article designation	GTIN (EAN)	Packaging unit
2834.0	Q 4	4044211055592	20 PC

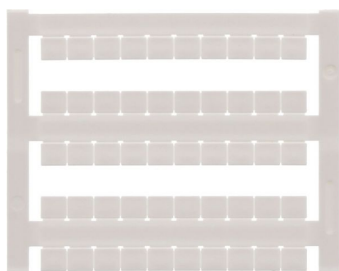
1417.2

DLI 2,5 PE/L/NT BG

DLI 2,5 PE/L/NT BG

Accessories

Quick-marking



Terminal marker / Pocket Maxicard, Length: 5 mm,
Width: 6 mm, Colour: White

In general

Order number	Article designation	GTIN (EAN)	Packaging unit
4702.7	PMC SB 6/50 WH	4044211089986	500 PC

Screw driver



Screwdriver with bare blade, Colour: Black-grey

In general

Order number	Article designation	GTIN (EAN)	Packaging unit
1085.0	SDB 0,5x3,0	4044211014643	1 PC

1417.2

DLI 2,5 PE/L/NT BG

DLI 2,5 PE/L/NT BG

Accessories

Insulation plate



Insulation plate, Colour: Beige

In general

Order number	Article designation	GTIN (EAN)	Packaging unit
2566.2	TRS 3	4044211053567	100 PC
