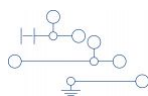
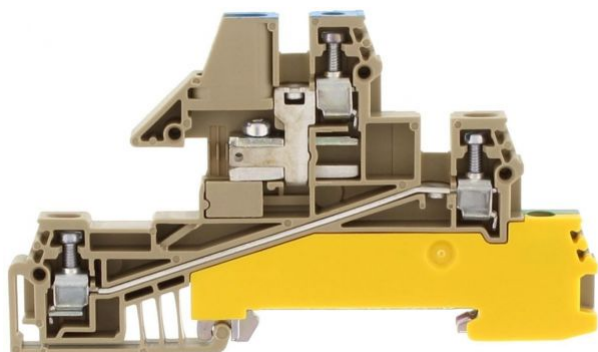


1410.2

DLIS 2,5 PE/L/NT BG

DLIS 2,5 PE/L/NT BG



M2.5



Three-wire installation terminal, Screw connection, Mounting type: Mounting rail TS 35/7.5, Rated cross-section: 2.5 mm<sup>2</sup>, Width: 6 mm, Colour: Beige

## Business data

Product description	Three-wire installation terminals
Packaging unit	50
Quantity unit	PC
Weight per piece (not including packaging)	25.4
Weight per piece (including packaging)	26.8
Unit of weight	G
Customs number	85369010
Country of origin	DE

**1410.2**

**DLIS 2,5 PE/L/NT BG**

**DLIS 2,5 PE/L/NT BG**

## Technical Data

---

### Dimensions

---

Length	90.5 mm
Width	6 mm
Height TS 35/7.5	53 mm

### Ratings

---

Rated voltage	400 V
Rated current	24 A
Rated cross-section	2.5 mm <sup>2</sup>
Rated impulse voltage	4 kV
Overvoltage category	III
Contamination degree	3

1410.2

DLIS 2,5 PE/L/NT BG

DLIS 2,5 PE/L/NT BG

## Technical Data

---

### Connection data

Connection principle	Screw connection
Connection position	Lateral
Connections	4
Number of potentials	3
Special connection	Sammelschiene 10 x 3 mm
Wire cross-section single-core (rigid) / stranded, min.	0.2 mm <sup>2</sup>
Wire cross-section single core (rigid)/stranded, max.	4 mm <sup>2</sup>
Wire cross-section stranded, min.	0.2 mm <sup>2</sup>
Wire cross-section stranded, max.	4 mm <sup>2</sup>
Wire cross-section stranded with wire-end ferrules, min.	0.2 mm <sup>2</sup>
Wire cross-section stranded with wire-end ferrules, max.	2.5 mm <sup>2</sup>
Wire cross-section AWG, min.	22
Wire cross-section AWG, max.	14
Stripping length	8 mm
Screw head	Slotted
Screw threading	M 2,5
Tightening torque, min.	0.4 Nm
Tightening torque, max.	0.8 Nm
N-function possible	✓
PE function is possible	✓

1410.2

DLIS 2,5 PE/L/NT BG

DLIS 2,5 PE/L/NT BG

## Technical Data

---

### Connection data

---

N partition slides available	✓
------------------------------	---

---

### Materials

---

Insulation housing	Polyamide 6.6
--------------------	---------------

---

Flammability class UL 94	V-2
--------------------------	-----

---

Working temperature, min.	-40 °C
---------------------------	--------

---

Working temperature, max.	105 °C
---------------------------	--------

---

### Further technical data

---

Mounting type	Mounting rail TS 35/7,5
---------------	-------------------------

---

Gauge plug acc. to EN 60 947-1	A3
--------------------------------	----

---

Number of cross-connection channels	2
-------------------------------------	---

---

End plate required	✓
--------------------	---

---

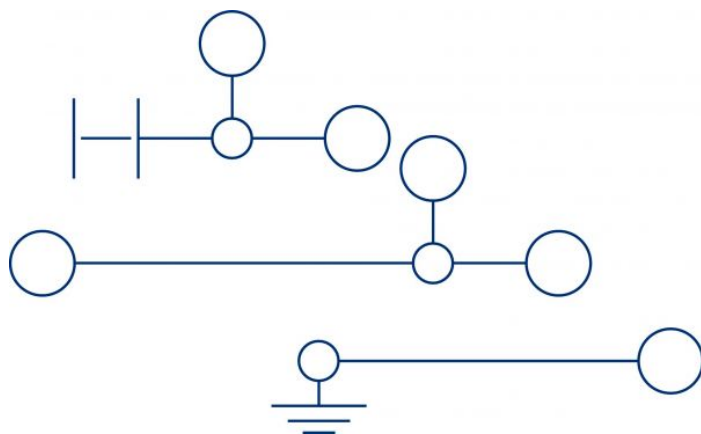
1410.2

DLIS 2,5 PE/L/NT BG

DLIS 2,5 PE/L/NT BG

## Media

---



**M2.5**



1410.2

DLIS 2,5 PE/L/NT BG

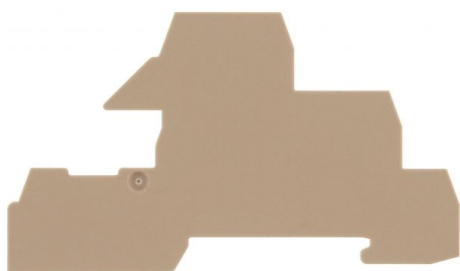
DLIS 2,5 PE/L/NT BG

## Accessories

---

### End plate

---



End plate, Width: 1.5 mm, Colour: Beige

### In general

Order number	Article designation	GTIN (EAN)	Packaging unit
2829.2	AP 2,5/S	4044211055554	20 PC

### End bracket

---



End stop, Mounting type: Mounting rail TS 35/7.5,  
Width: 9.5 mm, Colour: Beige

### In general

Order number	Article designation	GTIN (EAN)	Packaging unit
2828.0	ES 35/K/ST	4044211055547	50 PC

1410.2

DLIS 2,5 PE/L/NT BG

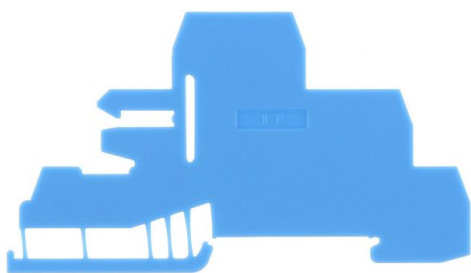
DLIS 2,5 PE/L/NT BG

## Accessories

---

### Support bracket

---



Retaining plate, Width: 1.5 mm, Colour: Blue

### In general

Order number	Article designation	GTIN (EAN)	Packaging unit
2890.5	HP DLIS	4044211056155	20 PC

### Cross connector

---



Cross-connector, No. of poles: 82, Mounting type: Screwable, Width: 500 mm, Rated cross-section: 2.5 mm<sup>2</sup>, Colour: natural

### In general

Order number	Article designation	GTIN (EAN)	Packaging unit
2154.0	Q 0,5 m/82 Pole	4044211049751	1 PC

1410.2

DLIS 2,5 PE/L/NT BG

DLIS 2,5 PE/L/NT BG

## Accessories

---

### Cross connector

---



Cross-connector, No. of poles: 10, Mounting type: Can be screwed on, Width: 59.3 mm, Rated cross-section: 2.5 mm<sup>2</sup>, Colour: natural

### In general

Order number	Article designation	GTIN (EAN)	Packaging unit
2835.0	Q 10	4044211055608	10 PC

---



Cross-connector, No. of poles: 2, Mounting type: Can be screwed on, Width: 10.5 mm, Rated cross-section: 2.5 mm<sup>2</sup>, Colour: natural

### In general

Order number	Article designation	GTIN (EAN)	Packaging unit
2832.0	Q 2	4044211055578	50 PC

---



1410.2

DLIS 2,5 PE/L/NT BG

DLIS 2,5 PE/L/NT BG

## Accessories

---

### Cross connector

---



Cross-connector, No. of poles: 20, Mounting type: Can be screwed on, Width: 120.3 mm, Rated cross-section: 2.5 mm<sup>2</sup>, Colour: natural

### In general

Order number	Article designation	GTIN (EAN)	Packaging unit
2836.0	Q 20	4044211055615	10 PC

---



Cross-connector, No. of poles: 3, Mounting type: Can be screwed on, Width: 16.6 mm, Rated cross-section: 2.5 mm<sup>2</sup>, Colour: natural

### In general

Order number	Article designation	GTIN (EAN)	Packaging unit
2833.0	Q 3	4044211055585	50 PC

---

1410.2

DLIS 2,5 PE/L/NT BG

DLIS 2,5 PE/L/NT BG

## Accessories

---

### Cross connector

---



Cross-connector, No. of poles: 4, Mounting type: Can be screwed on, Width: 22.7 mm, Rated cross-section: 2.5 mm<sup>2</sup>, Colour: natural

### In general

Order number	Article designation	GTIN (EAN)	Packaging unit
2834.0	Q 4	4044211055592	20 PC

---

### Busbar

---



Busbar, Material: Copper, Colour: natural

### In general

Order number	Article designation	GTIN (EAN)	Packaging unit
2129.0	Ssch 10x3 CU	4044211049485	1 M

---

1410.2

DLIS 2,5 PE/L/NT BG

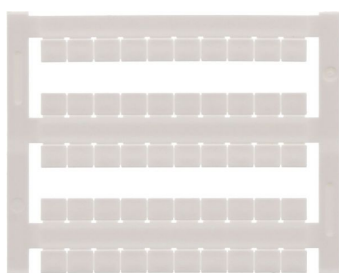
DLIS 2,5 PE/L/NT BG

## Accessories

---

### Quick-marking

---



Terminal marker / Pocket Maxicard, Length: 5 mm,  
Width: 6 mm, Colour: White

### In general

Order number	Article designation	GTIN (EAN)	Packaging unit
4702.7	PMC SB 6/50 WH	4044211089986	500 PC

---

### Screw driver

---



Screwdriver with bare blade, Colour: Black-grey

### In general

Order number	Article designation	GTIN (EAN)	Packaging unit
1085.0	SDB 0,5x3,0	4044211014643	1 PC

---

1410.2

DLIS 2,5 PE/L/NT BG

DLIS 2,5 PE/L/NT BG

## Accessories

---

### Insulation plate

---



Insulation plate, Colour: Beige

### In general

---

Order number	Article designation	GTIN (EAN)	Packaging unit
2566.2	TRS 3	4044211053567	100 PC

---