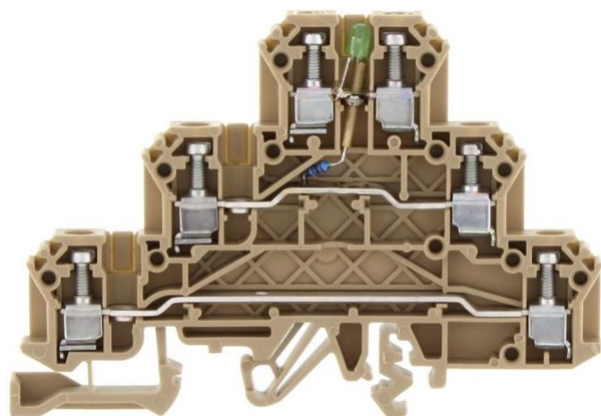


1288.2

IKD 2,5 PNP/DC/LED(GN)/60V BG

IKD 2,5 PNP/DC/LED(GN)/60V BG



Three-level initiator terminal, Screw connection, Mounting type: Mounting rail TS 35/7.5 and TS 32, Rated cross-section: 2.5 mm², Width: 5 mm, Colour: Beige

Business data

| | |
|--|--------------------------------|
| Product description | Three-level initiator terminal |
| Packaging unit | 50 |
| Quantity unit | PC |
| Weight per piece (not including packaging) | 15.6 |
| Weight per piece (including packaging) | 17.54 |
| Unit of weight | G |
| Customs number | 85369010 |
| Country of origin | DE |

1288.2

IKD 2,5 PNP/DC/LED(GN)/60V BG

IKD 2,5 PNP/DC/LED(GN)/60V BG

Technical Data

Dimensions

| | |
|--------|---------|
| Length | 84.8 mm |
|--------|---------|

| | |
|-------|------|
| Width | 5 mm |
|-------|------|

| | |
|------------------|---------|
| Height TS 35/7.5 | 58.3 mm |
|------------------|---------|

| | |
|--------------|---------|
| Height TS 32 | 62.8 mm |
|--------------|---------|

Ratings

| | |
|---------------|-------|
| Rated voltage | 250 V |
|---------------|-------|

| | |
|---------------|------|
| Rated current | 24 A |
|---------------|------|

| | |
|---------------------|---------------------|
| Rated cross-section | 2.5 mm ² |
|---------------------|---------------------|

| | |
|-----------------------|------|
| Rated impulse voltage | 4 kV |
|-----------------------|------|

| | |
|----------------------|-----|
| Overvoltage category | III |
|----------------------|-----|

| | |
|----------------------|---|
| Contamination degree | 3 |
|----------------------|---|

1288.2

IKD 2,5 PNP/DC/LED(GN)/60V BG

IKD 2,5 PNP/DC/LED(GN)/60V BG

Technical Data

Connection data

| | |
|--|---------------------|
| Connection principle | Screw connection |
| Connection position | Lateral |
| Connections | 6 |
| Number of terminals per level | 2 |
| Number of levels | 3 |
| Wire cross-section single-core (rigid) / stranded, min. | 0.2 mm ² |
| Wire cross-section single core (rigid)/stranded, max. | 4 mm ² |
| Wire cross-section stranded, min. | 0.2 mm ² |
| Wire cross-section stranded, max. | 4 mm ² |
| Wire cross-section stranded with wire-end ferrules, min. | 0.2 mm ² |
| Wire cross-section stranded with wire-end ferrules, max. | 2.5 mm ² |
| Wire cross-section AWG, min. | 22 |
| Wire cross-section AWG, max. | 14 |
| Stripping length | 7 mm |
| Screw head | Slotted |
| Screw threading | M 2,4 |
| Tightening torque, min. | 0.4 Nm |
| Tightening torque, max. | 0.8 Nm |

1288.2

IKD 2,5 PNP/DC/LED(GN)/60V BG

IKD 2,5 PNP/DC/LED(GN)/60V BG

Technical Data

Materials

| | |
|---------------------------|---------------|
| Insulation housing | Polyamide 6.6 |
| Flammability class UL 94 | V-2 |
| Working temperature, min. | -40 °C |
| Working temperature, max. | 105 °C |

Further technical data

| | |
|-------------------------------------|-----------------------------------|
| Mounting type | Mounting rail TS 35/7.5 and TS 32 |
| Gauge plug acc. to EN 60 947-1 | A3 |
| Number of cross-connection channels | 3 |
| End plate required | ✓ |
| Can be cross-connected | ✓ |
| Colour of lamp | Green |
| LED switching for | PNP |

1288.2

IKD 2,5 PNP/DC/LED(GN)/60V BG

IKD 2,5 PNP/DC/LED(GN)/60V BG

Approvals

Standards and regulations

| | |
|--------------|----------------|
| EAC approval | TR ZU 004/2011 |
|--------------|----------------|

| | |
|----------------------|---|
| EAC approval granted | ✓ |
|----------------------|---|

CSA approval

| | |
|--------------|--------------|
| CSA approval | C22.2 No 158 |
|--------------|--------------|

| | |
|----------------------|---|
| CSA approval granted | ✓ |
|----------------------|---|

| | |
|-------------------------------|-------|
| CSA Usegroup B: rated voltage | 300 V |
|-------------------------------|-------|

| | |
|-------------------------------|------|
| CSA Usegroup B: rated current | 20 A |
|-------------------------------|------|

| | |
|----------------------------------|----|
| CSA wire cross-section AWG, min. | 22 |
|----------------------------------|----|

| | |
|----------------------------------|----|
| CSA wire cross-section AWG, max. | 14 |
|----------------------------------|----|

| | |
|----------------------|------|
| CSA stripping length | 7 mm |
|----------------------|------|

CSAus approval

| | |
|----------------|---------|
| CSAus approval | UL 1059 |
|----------------|---------|

| | |
|------------------------|---|
| CSAus approval granted | ✓ |
|------------------------|---|

| | |
|---------------------------------|-------|
| CSAus Usegroup B: rated voltage | 300 V |
|---------------------------------|-------|

| | |
|---------------------------------|------|
| CSAus Usegroup B: rated current | 20 A |
|---------------------------------|------|

| | |
|------------------------------------|----|
| CSAus wire cross-section AWG, min. | 22 |
|------------------------------------|----|

1288.2

IKD 2,5 PNP/DC/LED(GN)/60V BG

IKD 2,5 PNP/DC/LED(GN)/60V BG

Approvals

CSAus approval

| | |
|------------------------------------|------|
| CSAus wire cross-section AWG, max. | 14 |
| CSAus stripping length | 7 mm |

cUL Recognized

| | |
|--|--------------|
| cUL Recognized | C22.2 No 158 |
| cUL Recognized | ✓ |
| cUL Usegroup B: rated voltage | 300 V |
| cUL Usegroup B: rated current | 20 A |
| cUL Usegroup C: rated voltage | 300 V |
| cUL Usegroup C: rated current | 20 A |
| cUL wire cross-section single-core (rigid) AWG, min. | 22 |
| cUL wire cross-section single-core (rigid) AWG, max. | 12 |
| cUL wire cross-section stranded AWG, min. | 22 |
| cUL wire cross-section stranded AWG, max. | 12 |
| cUL torque | 5.3 Nm |
| cUL wire material | Cu |

1288.2

IKD 2,5 PNP/DC/LED(GN)/60V BG

IKD 2,5 PNP/DC/LED(GN)/60V BG

Approvals

KEMA KEUR approval

| | |
|---|---------------------|
| KEMA KEUR approval | EN 60947-7-1 |
| KEMA KEUR approval granted | ✓ |
| KEMA rated voltage | 250 V |
| KEMA rated current | 24 A |
| KEMA rated impulse voltage | 4 kV |
| KEMA wire cross-section single core (rigid), min. | 0.2 mm ² |
| KEMA wire cross-section single-core (rigid), max. | 4 mm ² |
| KEMA wire cross-section stranded, min. | 0.2 mm ² |
| KEMA wire cross-section stranded, max. | 4 mm ² |
| KEMA torque, min. | 0.4 Nm |
| KEMA torque, max. | 0.8 Nm |

1288.2

IKD 2,5 PNP/DC/LED(GN)/60V BG

IKD 2,5 PNP/DC/LED(GN)/60V BG

Approvals

UL Recognized

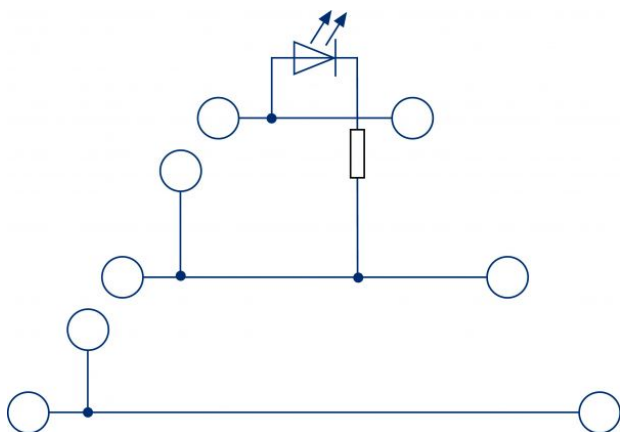
| | |
|---|-----------|
| UL Recognized | UL 1059 |
| UL Recognized granted | ✓ |
| UL Usegroup B: rated voltage | 300 V |
| UL Usegroup B: rated current | 20 A |
| UL Usegroup C: rated voltage | 300 V |
| UL Usegroup C: rated current | 20 A |
| UL wire cross-section single-core (rigid) AWG, min. | 22 |
| UL wire cross-section single-core (rigid) AWG, max. | 12 |
| UL wire cross-section stranded AWG, min. | 22 |
| UL wire cross-section stranded AWG, max. | 12 |
| UL torque | 5.3 Lb In |
| UL wire material | Cu |
| UL factory wiring | ✓ |
| UL field wiring | ✓ |

1288.2

IKD 2,5 PNP/DC/LED(GN)/60V BG

IKD 2,5 PNP/DC/LED(GN)/60V BG

Media



M2.4



EAC



1288.2

IKD 2,5 PNP/DC/LED(GN)/60V BG

IKD 2,5 PNP/DC/LED(GN)/60V BG

Media



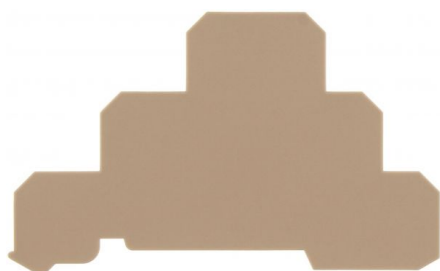
1288.2

IKD 2,5 PNP/DC/LED(GN)/60V BG

IKD 2,5 PNP/DC/LED(GN)/60V BG

Accessories

End plate

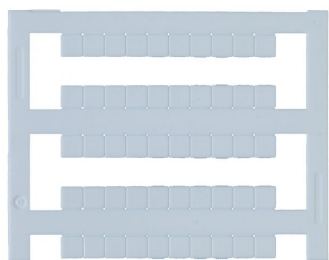


End plate, Colour: Beige

In general

| Order number | Article designation | GTIN (EAN) | Packaging unit |
|--------------|---------------------|---------------|----------------|
| 2699.2 | AP 2,5/ID | 4044211054397 | 20 PC |

Quick-marking



Terminal marker / Pocket Maxicard, Length: 5 mm,
Width: 5 mm, Colour: White

In general

| Order number | Article designation | GTIN (EAN) | Packaging unit |
|--------------|---------------------|---------------|----------------|
| 4600.7 | PMC SB 5/50 WH | 4044211088903 | 500 PC |

1288.2

IKD 2,5 PNP/DC/LED(GN)/60V BG

IKD 2,5 PNP/DC/LED(GN)/60V BG

Accessories

Screw driver



Screwdriver with bare blade, Colour: Black-grey

In general

| Order number | Article designation | GTIN (EAN) | Packaging unit |
|--------------|---------------------|---------------|----------------|
| 1085.0 | SDB 0,5x3,0 | 4044211014643 | 1 PC |
