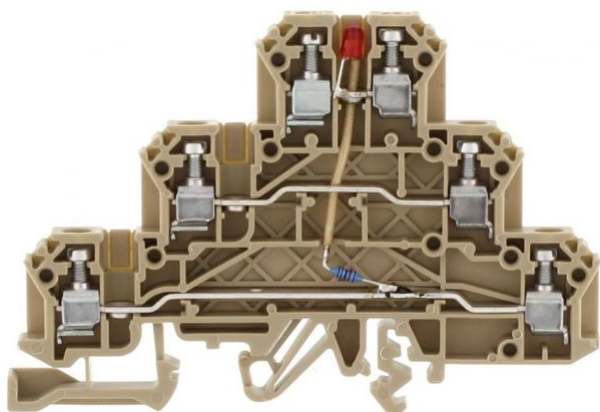


1267.2

IKD 2,5 NPN/AC/LED(RD)220V BG

IKD 2,5 NPN/AC/LED(RD)220V BG



Three-level initiator terminal, Screw connection, Mounting type: Mounting rail TS 35/7.5 and TS 32, Rated cross-section: 2.5 mm<sup>2</sup>, Width: 5 mm, Colour: Beige

## Business data

Product description	Three-level initiator terminal
Packaging unit	50
Quantity unit	PC
Weight per piece (not including packaging)	15.6
Weight per piece (including packaging)	17.46
Unit of weight	G
Customs number	85369010
Country of origin	DE

**1267.2**

**IKD 2,5 NPN/AC/LED(RD)220V BG**

**IKD 2,5 NPN/AC/LED(RD)220V BG**

## Technical Data

---

### Dimensions

---

Length	84.8 mm
Width	5 mm
Height TS 35/7.5	58.3 mm
Height TS 32	62.8 mm

### Ratings

---

Rated voltage	250 V
Rated current	24 A
Rated cross-section	2.5 mm <sup>2</sup>
Rated impulse voltage	4 kV
Overvoltage category	III
Contamination degree	3

**1267.2**

**IKD 2,5 NPN/AC/LED(RD)220V BG**

**IKD 2,5 NPN/AC/LED(RD)220V BG**

## Technical Data

---

### Connection data

Connection principle	Screw connection
Connection position	Lateral
Connections	6
Number of terminals per level	2
Number of levels	3
Wire cross-section single-core (rigid) / stranded, min.	0.2 mm <sup>2</sup>
Wire cross-section single core (rigid)/stranded, max.	4 mm <sup>2</sup>
Wire cross-section stranded, min.	0.2 mm <sup>2</sup>
Wire cross-section stranded, max.	4 mm <sup>2</sup>
Wire cross-section stranded with wire-end ferrules, min.	0.2 mm <sup>2</sup>
Wire cross-section stranded with wire-end ferrules, max.	2.5 mm <sup>2</sup>
Wire cross-section AWG, min.	22
Wire cross-section AWG, max.	14
Stripping length	7 mm
Screw head	Slotted
Screw threading	M 2,4
Tightening torque, min.	0.4 Nm
Tightening torque, max.	0.8 Nm

**1267.2**

**IKD 2,5 NPN/AC/LED(RD)220V BG**

**IKD 2,5 NPN/AC/LED(RD)220V BG**

## Technical Data

---

### Materials

---

Insulation housing	Polyamide 6.6
Flammability class UL 94	V-2
Working temperature, min.	-40 °C
Working temperature, max.	105 °C

### Further technical data

---

Mounting type	Mounting rail TS 35/7.5 and TS 32
Gauge plug acc. to EN 60 947-1	A3
Number of cross-connection channels	3
End plate required	✓
Can be cross-connected	✓
Colour of lamp	Red
LED switching for	NPN

**1267.2**

**IKD 2,5 NPN/AC/LED(RD)220V BG**

**IKD 2,5 NPN/AC/LED(RD)220V BG**

## Approvals

---

### Standards and regulations

---

EAC approval	TR ZU 004/2011
--------------	----------------

EAC approval granted	✓
----------------------	---

### CSA approval

---

CSA approval	C22.2 No 158
--------------	--------------

CSA approval granted	✓
----------------------	---

CSA Usegroup B: rated voltage	300 V
-------------------------------	-------

CSA Usegroup B: rated current	20 A
-------------------------------	------

CSA wire cross-section AWG, min.	22
----------------------------------	----

CSA wire cross-section AWG, max.	14
----------------------------------	----

CSA stripping length	7 mm
----------------------	------

### CSAus approval

---

CSAus approval	UL 1059
----------------	---------

CSAus approval granted	✓
------------------------	---

CSAus Usegroup B: rated voltage	300 V
---------------------------------	-------

CSAus Usegroup B: rated current	20 A
---------------------------------	------

CSAus wire cross-section AWG, min.	22
------------------------------------	----

**1267.2**

**IKD 2,5 NPN/AC/LED(RD)220V BG**

**IKD 2,5 NPN/AC/LED(RD)220V BG**

## Approvals

---

### CSAus approval

---

CSAus wire cross-section AWG, max.	14
CSAus stripping length	7 mm

### cUL Recognized

---

cUL Recognized	C22.2 No 158
cUL Recognized	✓
cUL Usegroup B: rated voltage	300 V
cUL Usegroup B: rated current	20 A
cUL Usegroup C: rated voltage	300 V
cUL Usegroup C: rated current	20 A
cUL wire cross-section single-core (rigid) AWG, min.	22
cUL wire cross-section single-core (rigid) AWG, max.	12
cUL wire cross-section stranded AWG, min.	22
cUL wire cross-section stranded AWG, max.	12
cUL torque	5.3 Nm
cUL wire material	Cu

1267.2

**IKD 2,5 NPN/AC/LED(RD)220V BG**

**IKD 2,5 NPN/AC/LED(RD)220V BG**

## Approvals

---

### KEMA KEUR approval

KEMA KEUR approval	EN 60947-7-1
KEMA KEUR approval granted	✓
KEMA rated voltage	250 V
KEMA rated current	24 A
KEMA rated impulse voltage	4 kV
KEMA wire cross-section single core (rigid), min.	0.2 mm <sup>2</sup>
KEMA wire cross-section single-core (rigid), max.	4 mm <sup>2</sup>
KEMA wire cross-section stranded, min.	0.2 mm <sup>2</sup>
KEMA wire cross-section stranded, max.	4 mm <sup>2</sup>
KEMA torque, min.	0.4 Nm
KEMA torque, max.	0.8 Nm

1267.2

IKD 2,5 NPN/AC/LED(RD)220V BG

IKD 2,5 NPN/AC/LED(RD)220V BG

## Approvals

---

### UL Recognized

UL Recognized	UL 1059
UL Recognized granted	✓
UL Usegroup B: rated voltage	300 V
UL Usegroup B: rated current	20 A
UL Usegroup C: rated voltage	300 V
UL Usegroup C: rated current	20 A
UL wire cross-section single-core (rigid) AWG, min.	22
UL wire cross-section single-core (rigid) AWG, max.	12
UL wire cross-section stranded AWG, min.	22
UL wire cross-section stranded AWG, max.	12
UL torque	5.3 Lb In
UL wire material	Cu
UL factory wiring	✓
UL field wiring	✓



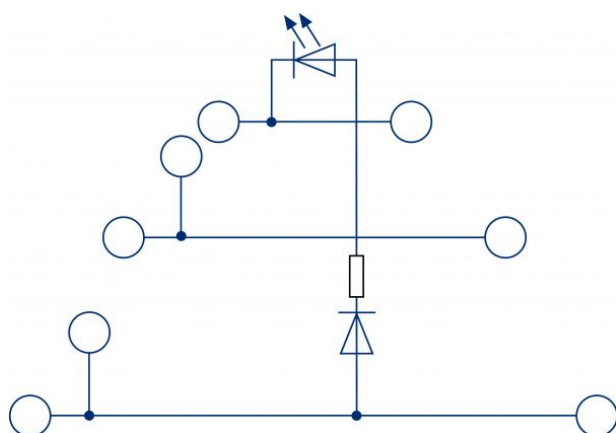
1267.2

IKD 2,5 NPN/AC/LED(RD)220V BG

IKD 2,5 NPN/AC/LED(RD)220V BG

## Media

---



**M2.4**



**EAC**



1267.2

IKD 2,5 NPN/AC/LED(RD)220V BG

IKD 2,5 NPN/AC/LED(RD)220V BG

Media

---



1267.2

IKD 2,5 NPN/AC/LED(RD)220V BG

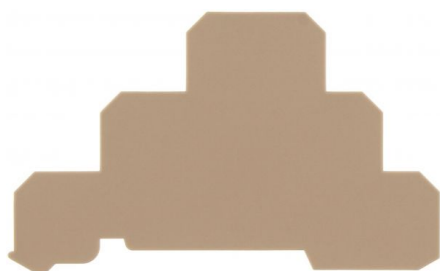
IKD 2,5 NPN/AC/LED(RD)220V BG

## Accessories

---

### End plate

---



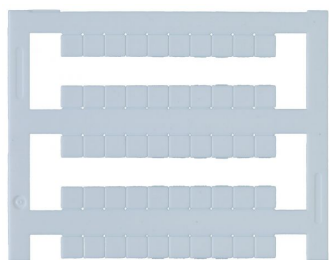
End plate, Colour: Beige

### In general

Order number	Article designation	GTIN (EAN)	Packaging unit
2699.2	AP 2,5/ID	4044211054397	20 PC

### Quick-marking

---



Terminal marker / Pocket Maxicard, Length: 5 mm,  
Width: 5 mm, Colour: White

### In general

Order number	Article designation	GTIN (EAN)	Packaging unit
4600.7	PMC SB 5/50 WH	4044211088903	500 PC

1267.2

IKD 2,5 NPN/AC/LED(RD)220V BG

IKD 2,5 NPN/AC/LED(RD)220V BG

## Accessories

---

### Screw driver

---



Screwdriver with bare blade, Colour: Black-grey

### In general

Order number	Article designation	GTIN (EAN)	Packaging unit
1085.0	SDB 0,5x3,0	4044211014643	1 PC

---