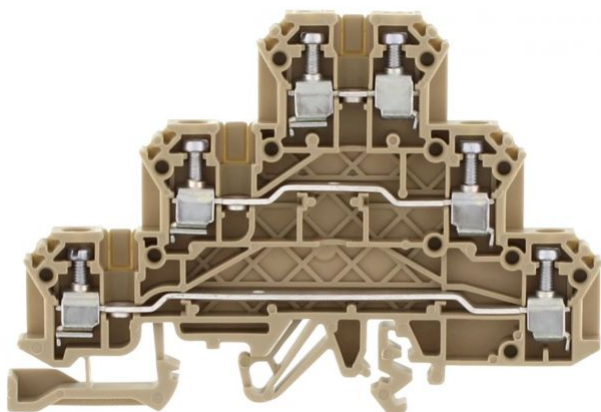


1261.2

IKD 2,5 BG

IKD 2,5 BG



Three-level initiator terminal | Multi-wire terminal, Screw connection, Mounting type: Mounting rail TS 35/7.5 and TS 32, Rated cross-section: 2.5 mm², Width: 5 mm, Colour: Beige

Business data

Product description	Three-level initiator terminal
Packaging unit	50
Quantity unit	PC
Weight per piece (not including packaging)	15.4
Weight per piece (including packaging)	17.22
Unit of weight	G
Customs number	85369010
Country of origin	DE

1261.2

IKD 2,5 BG

IKD 2,5 BG

Technical Data

Dimensions

Length	84.8 mm
--------	---------

Width	5 mm
-------	------

Height TS 35/7.5	58.3 mm
------------------	---------

Height TS 32	62.8 mm
--------------	---------

Ratings

Rated voltage	250 V
---------------	-------

Rated current	24 A
---------------	------

Rated cross-section	2.5 mm ²
---------------------	---------------------

Rated impulse voltage	4 kV
-----------------------	------

Overvoltage category	III
----------------------	-----

Contamination degree	3
----------------------	---

1261.2 IKD 2,5 BG IKD 2,5 BG

Technical Data

Connection data

Connection principle	Screw connection
Connection position	Lateral
Connections	3 x 2
Number of terminals per level	2
Number of levels	3
Wire cross-section single-core (rigid) / stranded, min.	0.2 mm ²
Wire cross-section single core (rigid)/stranded, max.	4 mm ²
Wire cross-section stranded, min.	0.2 mm ²
Wire cross-section stranded, max.	4 mm ²
Wire cross-section stranded with wire-end ferrules, min.	0.2 mm ²
Wire cross-section stranded with wire-end ferrules, max.	2.5 mm ²
Wire cross-section AWG, min.	22
Wire cross-section AWG, max.	14
Stripping length	7 mm
Screw head	Slotted
Screw threading	M 2,4
Tightening torque, min.	0.4 Nm
Tightening torque, max.	0.8 Nm

1261.2

IKD 2,5 BG

IKD 2,5 BG

Technical Data

Materials

Insulation housing	Polyamide 6.6
--------------------	---------------

Flammability class UL 94	V-2
--------------------------	-----

Working temperature, min.	-40 °C
---------------------------	--------

Working temperature, max.	105 °C
---------------------------	--------

Further technical data

Mounting type	Mounting rail TS 35/7.5 and TS 32
---------------	-----------------------------------

Gauge plug acc. to EN 60 947-1	A3
--------------------------------	----

Number of cross-connection channels	3
-------------------------------------	---

End plate required	✓
--------------------	---

Can be cross-connected	✓
------------------------	---

1261.2
IKD 2,5 BG
IKD 2,5 BG

Approvals

Standards and regulations

EAC approval	TR ZU 004/2011
--------------	----------------

EAC approval granted	✓
----------------------	---

CSA approval

CSA approval	C22.2 No 158
--------------	--------------

CSA approval granted	✓
----------------------	---

CSA Usegroup B: rated voltage	300 V
-------------------------------	-------

CSA Usegroup B: rated current	20 A
-------------------------------	------

CSA wire cross-section AWG, min.	22
----------------------------------	----

CSA wire cross-section AWG, max.	14
----------------------------------	----

CSA stripping length	7 mm
----------------------	------

CSAus approval

CSAus approval	UL 1059
----------------	---------

CSAus approval granted	✓
------------------------	---

CSAus Usegroup B: rated voltage	300 V
---------------------------------	-------

CSAus Usegroup B: rated current	20 A
---------------------------------	------

CSAus wire cross-section AWG, min.	22
------------------------------------	----

1261.2

IKD 2,5 BG

IKD 2,5 BG

Approvals

CSAus approval

CSAus wire cross-section AWG, max.	14
CSAus stripping length	7 mm

cUL Recognized

cUL Recognized	C22.2 No 158
cUL Recognized	✓
cUL Usegroup B: rated voltage	300 V
cUL Usegroup B: rated current	20 A
cUL Usegroup C: rated voltage	300 V
cUL Usegroup C: rated current	20 A
cUL wire cross-section single-core (rigid) AWG, min.	22
cUL wire cross-section single-core (rigid) AWG, max.	12
cUL wire cross-section stranded AWG, min.	22
cUL wire cross-section stranded AWG, max.	12
cUL torque	5.3 Nm
cUL wire material	Cu

1261.2

IKD 2,5 BG

IKD 2,5 BG

Approvals

KEMA KEUR approval

KEMA KEUR approval	EN 60947-7-1
KEMA KEUR approval granted	✓
KEMA rated voltage	250 V
KEMA rated current	24 A
KEMA rated impulse voltage	4 kV
KEMA wire cross-section single core (rigid), min.	0.2 mm ²
KEMA wire cross-section single-core (rigid), max.	4 mm ²
KEMA wire cross-section stranded, min.	0.2 mm ²
KEMA wire cross-section stranded, max.	4 mm ²
KEMA torque, min.	0.4 Nm
KEMA torque, max.	0.8 Nm

1261.2
IKD 2,5 BG
IKD 2,5 BG

Approvals

UL Recognized

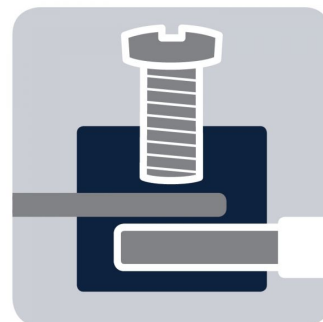
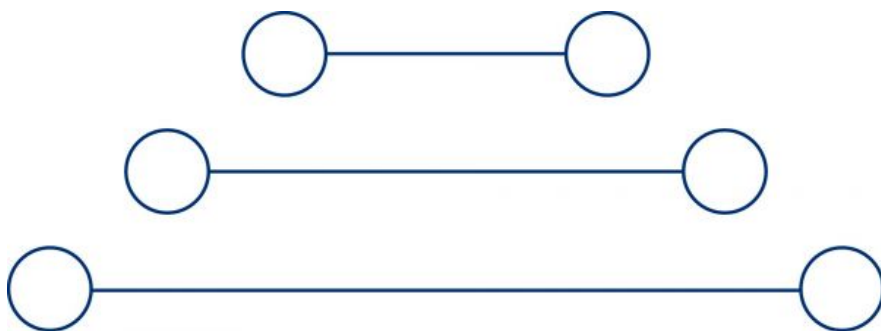
UL Recognized	UL 1059
UL Recognized granted	✓
UL Usegroup B: rated voltage	300 V
UL Usegroup B: rated current	20 A
UL Usegroup C: rated voltage	300 V
UL Usegroup C: rated current	20 A
UL wire cross-section single-core (rigid) AWG, min.	22
UL wire cross-section single-core (rigid) AWG, max.	12
UL wire cross-section stranded AWG, min.	22
UL wire cross-section stranded AWG, max.	12
UL torque	5.3 Lb In
UL wire material	Cu
UL factory wiring	✓
UL field wiring	✓

1261.2

IKD 2,5 BG

IKD 2,5 BG

Media



M2.4



EAC



1261.2

IKD 2,5 BG

IKD 2,5 BG

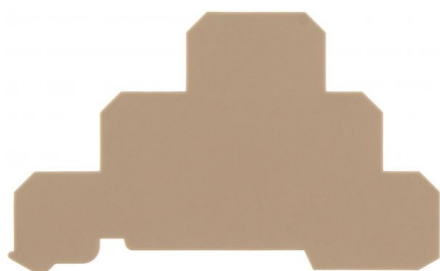
Media

The logo for CRAUS, consisting of the letters 'C', 'R', 'A', 'U', and 'S' in a bold, black, sans-serif font. The 'R' and 'A' are stylized and connected. A registered trademark symbol (®) is located to the upper right of the 'A'.

1261.2
IKD 2,5 BG
IKD 2,5 BG

Accessories

End plate

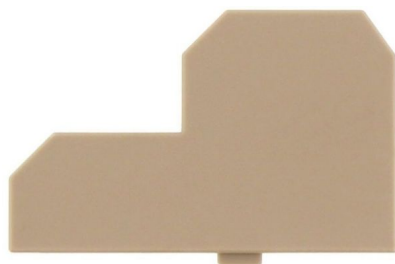


End plate, Colour: Beige

In general

Order number	Article designation	GTIN (EAN)	Packaging unit
2699.2	AP 2,5/ID	4044211054397	20 PC

End plate short



End plate, Colour: Beige

In general

Order number	Article designation	GTIN (EAN)	Packaging unit
2714.2	AP IKD 2,5/short	4044211054557	20 PC

1261.2
IKD 2,5 BG
IKD 2,5 BG

Accessories

Fastening screw



Mounting screw, M 2.5, Colour: natural

In general

Order number	Article designation	GTIN (EAN)	Packaging unit
2326.0	BS M 2,5x10	4044211051112	100 PC

Cross connector



Cross-connector, No. of poles: 98, Mounting type: Screwable, Width: 500 mm, Rated cross-section: 2.5 mm², Colour: natural

In general

Order number	Article designation	GTIN (EAN)	Packaging unit
2151.0	Q 0,5 m/98 Pole	4044211049720	1 PC

1261.2
IKD 2,5 BG
IKD 2,5 BG

Accessories

Cross connector



Cross-connector, No. of poles: 10, Mounting type: Can be screwed on, Width: 49.9 mm, Rated cross-section: 2.5 mm², Colour: natural

In general

Order number	Article designation	GTIN (EAN)	Packaging unit
2425.0	Q 10	4044211052072	10 PC



Cross-connector, No. of poles: 2, Mounting type: Can be screwed on, Width: 9.1 mm, Rated cross-section: 2.5 mm², Colour: natural

In general

Order number	Article designation	GTIN (EAN)	Packaging unit
2422.0	Q 2	4044211052041	50 PC

1261.2
IKD 2,5 BG
IKD 2,5 BG

Accessories

Cross connector



Cross-connector, No. of poles: 20, Mounting type: Can be screwed on, Width: 100.9 mm, Rated cross-section: 2.5 mm², Colour: natural

In general

Order number	Article designation	GTIN (EAN)	Packaging unit
2700.0	Q 20	4044211054410	10 PC



Cross-connector, No. of poles: 3, Mounting type: Can be screwed on, Width: 14.2 mm, Rated cross-section: 2.5 mm², Colour: natural

In general

Order number	Article designation	GTIN (EAN)	Packaging unit
2423.0	Q 3	4044211052058	50 PC

1261.2
IKD 2,5 BG
IKD 2,5 BG

Accessories

Cross connector



Cross-connector, No. of poles: 4, Mounting type: Can be screwed on, Width: 19.3 mm, Rated cross-section: 2.5 mm², Colour: natural

In general

Order number	Article designation	GTIN (EAN)	Packaging unit
2424.0	Q 4	4044211052065	20 PC

Cross connector rail



Cross-connection rail, No. of poles: 98, Mounting type: Can be screwed on, Width: 500 mm, Rated cross-section: 2.5 mm², Colour: natural

In general

Order number	Article designation	GTIN (EAN)	Packaging unit
2519.0	QS 0,5 m	4044211053215	1 PC

1261.2
IKD 2,5 BG
IKD 2,5 BG

Accessories

Cross connector rail



Cross-connection rail, No. of poles: 10, Mounting type: Can be screwed on, Width: 49.9 mm, Rated cross-section: 2.5 mm², Colour: natural

In general

Order number	Article designation	GTIN (EAN)	Packaging unit
2420.0	QS 10	4044211052027	10 PC



Cross-connection rail, No. of poles: 2, Mounting type: Can be screwed on, Width: 9.1 mm, Rated cross-section: 2.5 mm², Colour: natural

In general

Order number	Article designation	GTIN (EAN)	Packaging unit
2417.0	QS 2	4044211051990	100 PC

1261.2
IKD 2,5 BG
IKD 2,5 BG

Accessories

Cross connector rail



Cross-connection rail, No. of poles: 3, Mounting type: Can be screwed on, Width: 14.2 mm, Rated cross-section: 2.5 mm², Colour: natural

In general

Order number	Article designation	GTIN (EAN)	Packaging unit
2418.0	QS 3	4044211052003	100 PC



Cross-connection rail, No. of poles: 4, Mounting type: Can be screwed on, Width: 19.3 mm, Rated cross-section: 2.5 mm², Colour: natural

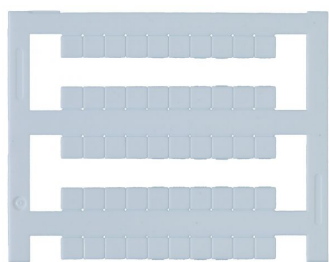
In general

Order number	Article designation	GTIN (EAN)	Packaging unit
2419.0	QS 4	4044211052010	50 PC

1261.2
IKD 2,5 BG
IKD 2,5 BG

Accessories

Quick-marking



Terminal marker / Pocket Maxicard, Length: 5 mm,
Width: 5 mm, Colour: White

In general

Order number	Article designation	GTIN (EAN)	Packaging unit
4600.7	PMC SB 5/50 WH	4044211088903	500 PC

Screw driver



Screwdriver with bare blade, Colour: Black-grey

In general

Order number	Article designation	GTIN (EAN)	Packaging unit
1085.0	SDB 0,5x3,0	4044211014643	1 PC

1261.2
IKD 2,5 BG
IKD 2,5 BG

Accessories

Connection sleeve



Connecting sleeve, Colour: natural

In general

Order number	Article designation	GTIN (EAN)	Packaging unit
2327.0	VH 5	4044211051129	100 PC
