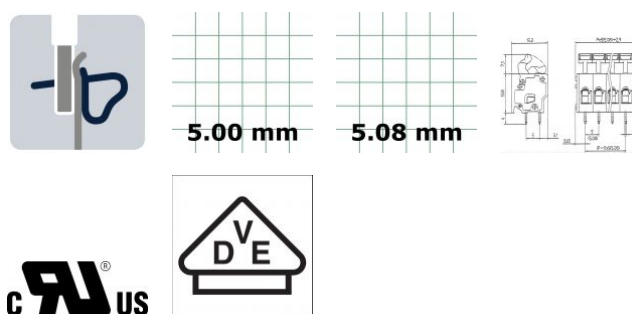


11141.0

PZK 3101/21/5,00/5,08-WD LG

PZK 3101/21/5,00/5,08-WD LG



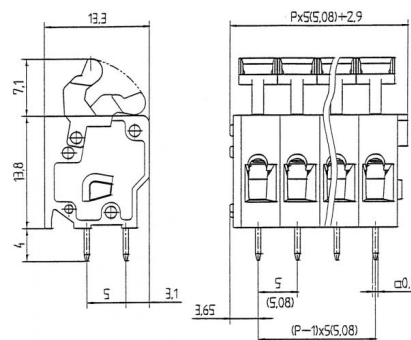
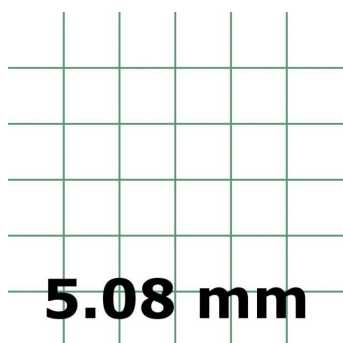
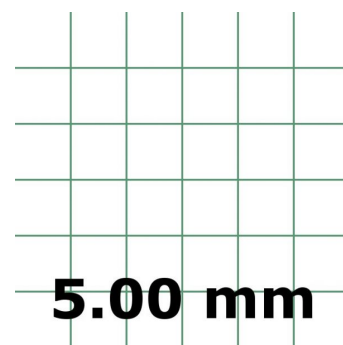
PCB terminal, Tension-spring connection, No. of poles: 21, Width: 107.9 mm, Colour: Pebble grey

11141.0

PZK 3101/21/5,00/5,08-WD LG

PZK 3101/21/5,00/5,08-WD LG

Media



CRV[®] US

