

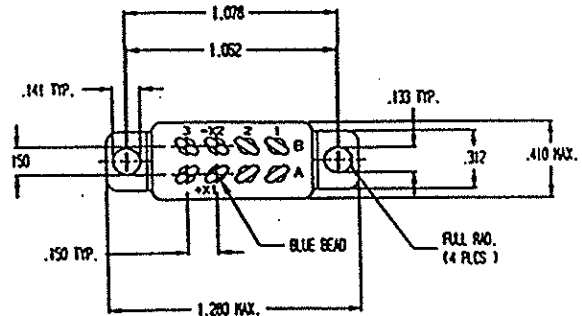
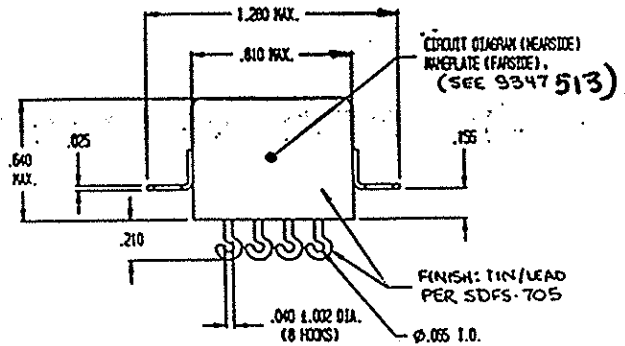
MSD INC.

ENGINEERING DATA SHEET

RELAY TYPE: FCB-205-CY4	COMPUTER PART No.: 9347513	TEST PROCEDURE MSDP-791
CUSTOMER/SPECIFICATION: CATALOG ITEM	REV NONE	

TEST REQUIREMENTS

COIL RES.: $\pm 10\%$ 500 OHMS OPERATE TIME: 5 mS MAX RELEASE TIME: 5 mS MAX
 CONTACT MAKE BOUNCE: 1 mS MAX N.O. BREAK BOUNCE: 0.1 mS MAX
 CONTACT STABILIZATION TIME: N/A RATED COIL VOLTAGE: 28 Vdc
 CONTACT RES.: MFG TEST: .040 OHMS @ 10mA - 6Vdc FINAL TEST: .050 OHMS @ 10mA - 6Vdc
 CONTACT VOLTAGE DROP: FINAL TEST: .100 V MAX @ 5A - 6Vdc
 HI-POT: 1000 Vrms ALL POINTS
 INSULATION RESISTANCE: 100 MEGOHMS MIN. @ 500 Vdc
 VIBRATION: N/A
 SEAL TEST: 1×10^{-8} MAX LEAK RATE COIL TRANSIENT SUPPRESSION: 42 Vdc MAX
 OTHER: _____



Prepared By: Date		Approved By: Date	
LFS WYNNE 3-20-96		<i>J. Lockyer</i> 3-21-96	
Rev	ECN No.	Date	
B	97-248	12-29-97	

SPECIAL INSTRUCTIONS