

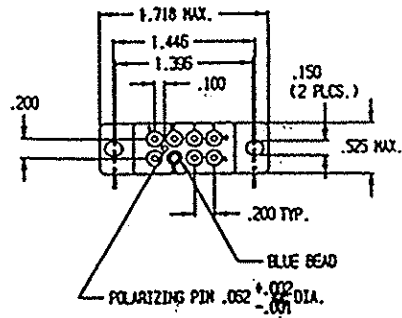
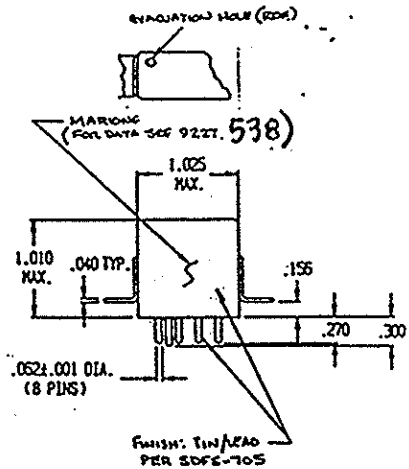
# MSD INC.

# ENGINEERING DATA SHEET

RELAY TYPE: <b>FCA-210-BY3</b>	COMPUTER PART No.: <b>9227538</b>	TEST PROCEDURE <b>MSDP-791</b>
CUSTOMER/SPECIFICATION: <b>CATALOG ITEM</b>	REV <b>NONE</b>	

### TEST REQUIREMENTS

$\pm 10\%$   
 COIL RES.: **320 OHMS** OPERATE TIME: **10ms MAX** RELEASE TIME: **10ms MAX**  
 CONTACT MAKE BOUNCE: **1ms MAX** N.O. BREAK BOUNCE: **N/A**  
 CONTACT STABILIZATION TIME: **N/A** RATED COIL VOLTAGE: **28Vdc**  
 CONTACT RES.: MFG TEST: **8 Milliohms @ 10mA** FINAL TEST: **10 Milliohms @ 10mA**  
 CONTACT VOLTAGE DROP: FINAL TEST: **100mV @ 10A-6Vdc**  
 HI-POT: **1250 Vrms ALL POINTS, EXCEPT 1000 Vrms COIL TO CASE**  
 INSULATION RESISTANCE: **100 MEGOHMS MIN @ 500 Vdc**  
 VIBRATION: **N/A**  
 SEAL TEST:  **$1 \times 10^{-8}$  MAX LEAK RATE** COIL TRANSIENT SUPPRESSION: **N/A**  
 OTHER:



Prepared By: Date	Approved By: Date	
LES WYNNE 3/5/96	<i>[Signature]</i> 3-19-96	
Rev	ECN No.	Date
A	96-065	3-15-96

### SPECIAL INSTRUCTIONS