

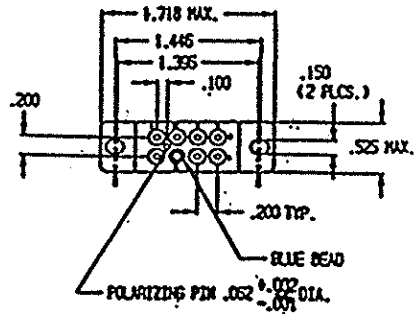
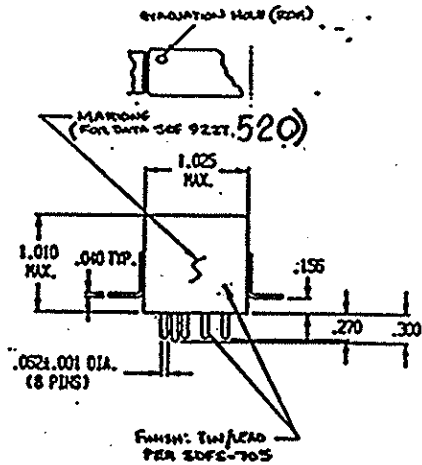
MSD INC.

ENGINEERING DATA SHEET

RELAY TYPE: FCA-210-BY2 | COMPUTER PART No.: 9221520 | TEST PROCEDURE
 CUSTOMER/SPECIFICATION: CATALOG ITEM | REV NONE | MSDP-791

TEST REQUIREMENTS

COIL RES.: $\pm 10\%$ 80 OHMS | OPERATE TIME: 10mS MAX | RELEASE TIME: 10mS MAX
 CONTACT MAKE BOUNCE: 1mS MAX | N.O. BREAK BOUNCE: N/A
 CONTACT STABILIZATION TIME: N/A | RATED COIL VOLTAGE: 12Vdc
 CONTACT RES.: MEG TEST: 8 Milliohms @ 10mA | FINAL TEST: 10 Milliohms @ 10mA
 CONTACT VOLTAGE DROP: FINAL TEST: 100mV @ 10A-6Vdc
 HI-POT: 1250 Vrms ALL POINTS, EXCEPT 1000 Vrms COIL TO CASE
 INSULATION RESISTANCE: 100 MEGOHMS MIN @ 500 Vdc
 VIBRATION: N/A
 SEAL TEST: 1X10⁻⁸ MAX LEAK RATE | COIL TRANSIENT SUPPRESSION: N/A
 OTHER: _____



Prepared By: Date		Approved By: Date	
LES WYNNE 5-10-96		<i>[Signature]</i> 5-10-96	
Rev	ECN No.	Date	
A	96-065	5-10-96	

SPECIAL INSTRUCTIONS