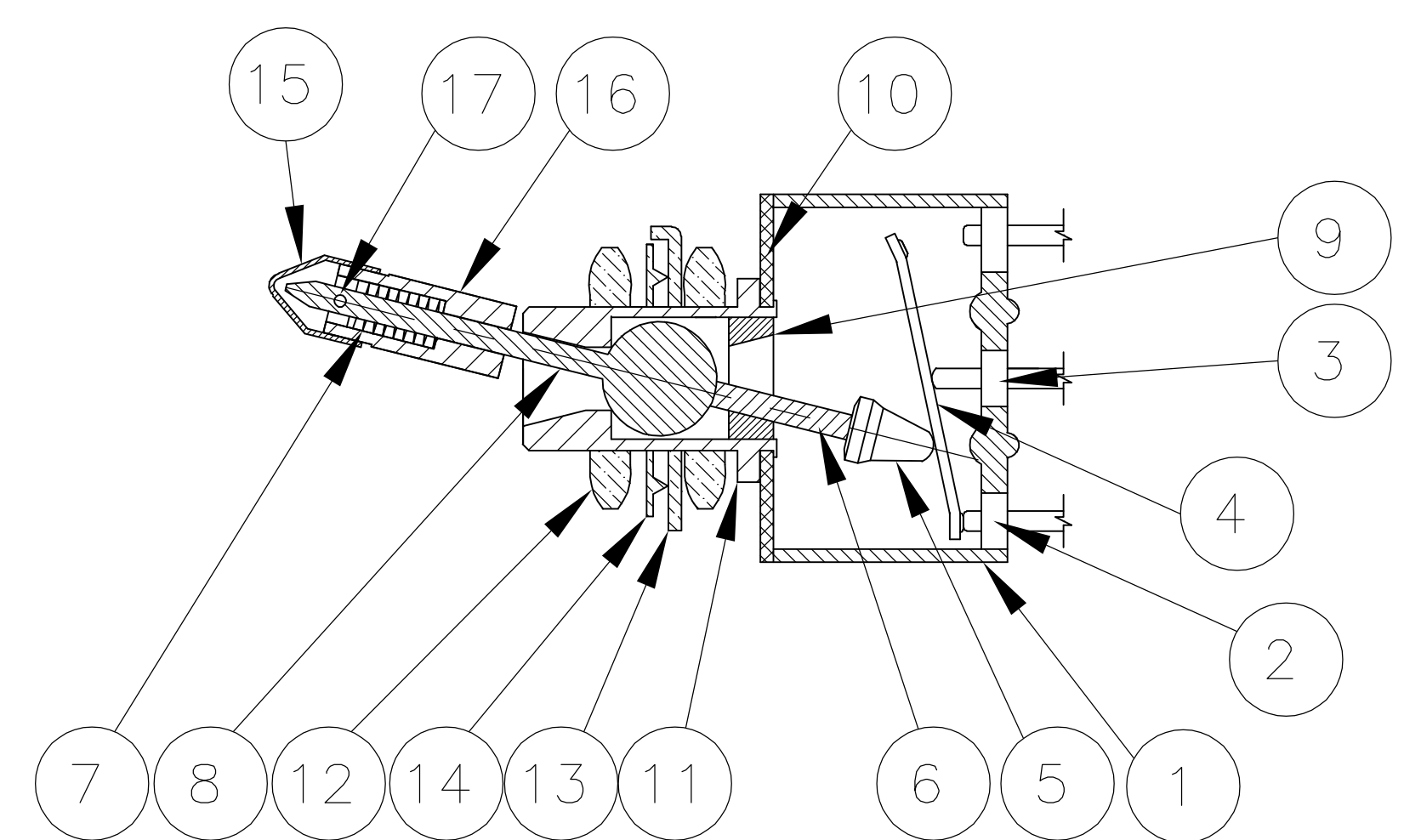
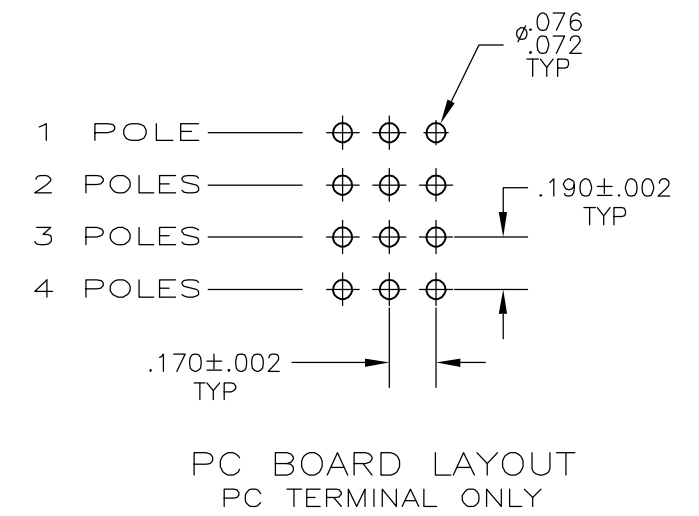
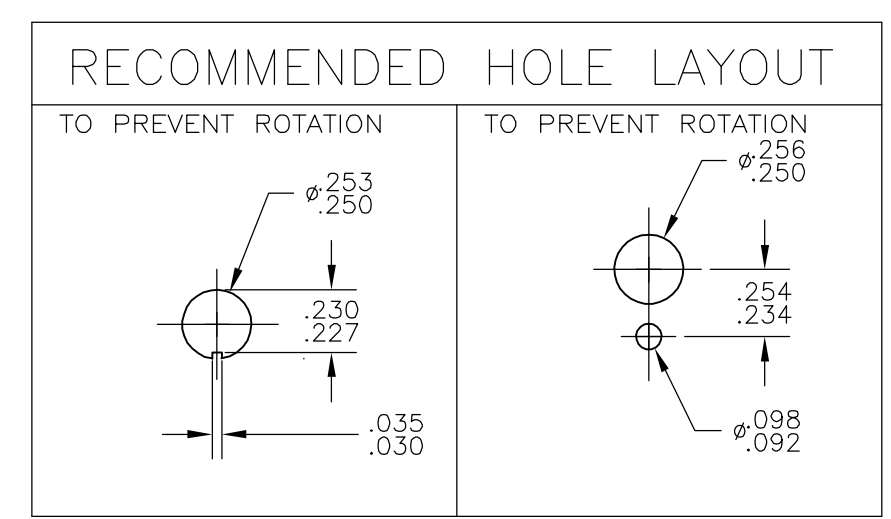


Materials			
No.	Component name	Base material	Finish
1	Housing	High Temp., UL 94V-0, green	
2	End terminal	silver clad copper alloy	5 microinches min. gold
3	Center terminal	copper alloy	5 microinches min. gold
4	Rocker contact	silver clad copper alloy	5 microinches min. gold
5	Actuator	Phenol resin, UL94 HB, black	
6	Plunger	stainless steel	
7	Spring	music wire	
8	Lever	brass	chrome or nickel
9	Retainer	Polyamide, UL94 HB, black	
10	Frame	cold rolled steel	zinc or nickel
11	Bushing	brass	100 microinches min. nickel over 10 microinches min. copper
12	Mounting nuts (2)	brass	200 microinches min. bright nickel
13	Locating ring	cold rolled steel	zinc or nickel
14	Internal tooth lockwasher	steel	zinc or nickel
15	Upper toggle cap	Aluminum	matte
16	Lower toggle cap	Aluminum	matte
17	Retaining pin	steel	



NOT TO SCALE

Specifications-see note 3				
Current rating UL & CSA	6A @ 125 VAC (resistive)			
	3A @ 250 VAC (resistive)			
	4A @ 28 VDC (resistive)			
Termination resistance	20 milliohms max @ 2-4 VDC, 1A			
Insulation resistance	1,000 megohms min.			
Withstanding voltage	1,000 VAC			
Travel	24 +/-6 degrees			
Actuation force	.05 to 1.5 kgf			
Operating temperature	-20C to +85C			
Storage temperature	-40C to +85C			
Contact timing	break before make			
Terminal seal	epoxy or insert molded			
Durability	Parameter	2 Position	3 Position	Momentary
	mechanical (no load)	150,000	100,000	80,000
	250 VAC (3A resistive)	80,000	60,000	60,000
	125 VAC (6A resistive)	80,000	60,000	60,000
	28 VDC (4A resistive)	60,000	50,000	40,000

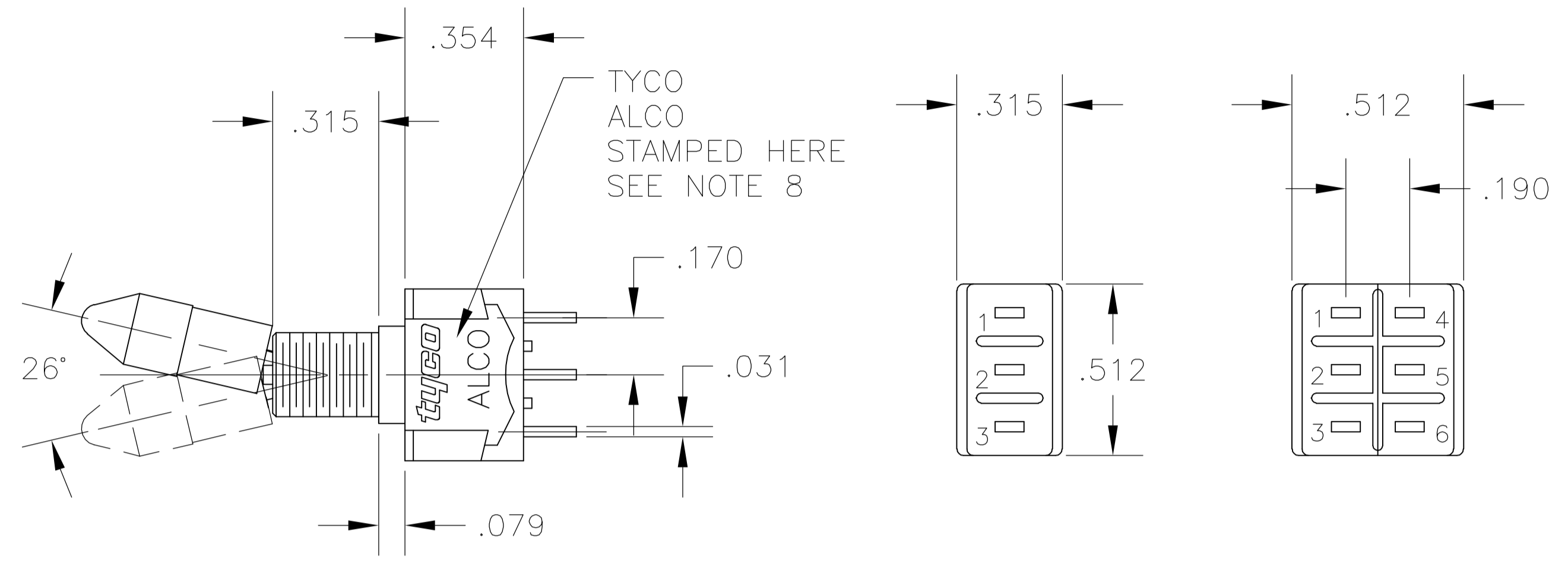


Tyco Part Number	Alco Model	Poles	Throws	Function	Terminal	Terminal Diagram 1	Terminal Diagram 2	Terminal Diagram 3	Comments
4-1437559-5	MTL406PA	2	3	ON ON ON	Wire lug	5-6, 11-12	5-3, 11-9	5-1, 11-7	note 7
4-1437559-4		4	2	ON ON	Wire lug	2-3, 5-6, 8-9, 11-12	---	2-1, 5-4, 8-7, 11-10	
4-1437559-3		3	2	ON OFF ON	Wire lug	2-3, 5-6, 8-9	---	2-1, 5-4, 8-7	
4-1437559-2		3	2	ON ON	Wire lug	2-3, 5-6, 8-9	---	2-1, 5-4, 8-7	
4-1437559-1		2	2	(ON) OFF (ON)	Wire lug	2-3, 5-6	---	2-1, 5-4	
4-1437559-0	MTL206PA	1	3	ON ON ON	Wire lug	5-6	5-3	5-1	note 6
3-1437559-9		2	2	ON OFF ON	Wire lug	2-3, 5-6	---	2-1, 5-4	
3-1437559-8	MTL206NPC	2	2	ON ON	PC	2-3, 5-6	---	2-1, 5-4	
3-1437559-7		2	2	ON ON	Wire lug	2-3, 5-6	---	2-1, 5-4	
3-1437559-6	MTL106EUL	1	2	ON OFF ON	Wire lug	2-3	Off	2-1	
3-1437559-5		1	2	ON OFF ON	Wire lug	2-3	Off	2-1	
3-1437559-4		1	2	ON ON	Wire lug	2-3	---	2-1	

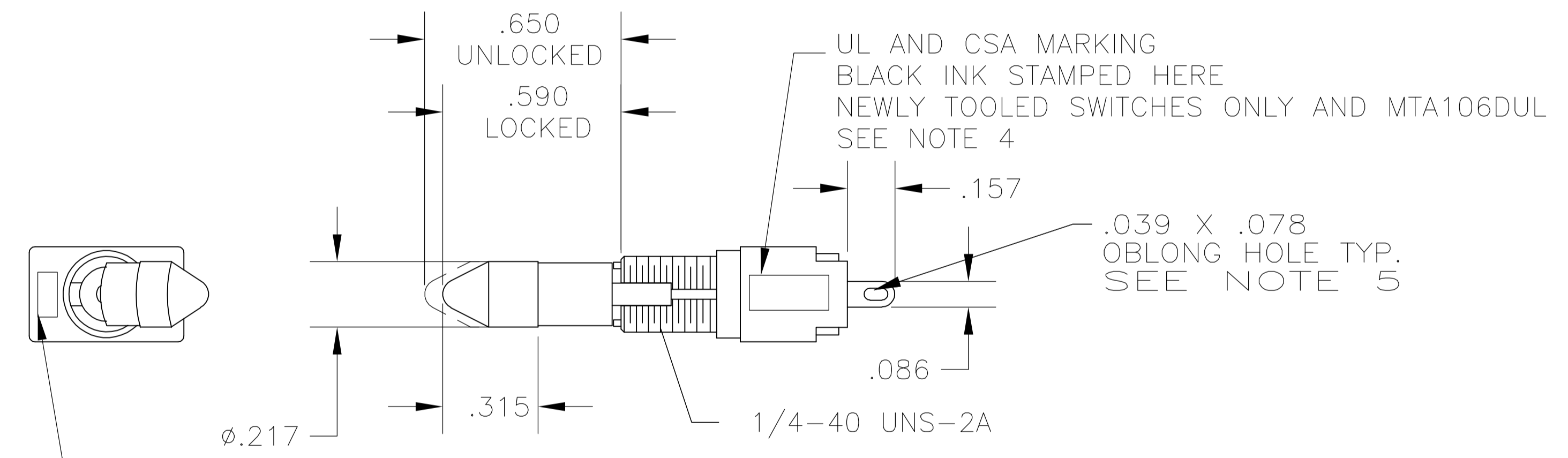
- NOTES:
- TERMINAL NUMBERS ARE FOR REFERENCE ONLY AND DO NOT APPEAR ON THE SWITCHES.
 - EACH SWITCH SUPPLIED WITH THE FOLLOWING MOUNTING HARDWARE:
 - (2) 1/4-40 UNS-2B HEX NUTS
 - (1) INTERNAL TOOTH LOCKWASHER
 - (1) LOCATING RING
 - NEWLY TOOLED SWITCHES TESTED TO AND MEET THE REQUIREMENTS OF UL 1054, SPECIAL USE SWITCHES. NEWLY TOOLED SWITCHES WILL ALSO BE TESTED TO AND MEET TYCO 102-2469 REV 0, MINIATURE SWITCH QUALIFICATION REQUIREMENTS.
 - NEWLY TOOLED SWITCHES ARE UL RECOGNIZED AND CSA CERTIFIED. CONSULT FACTORY FOR UL/CSA INFORMATION ON EXISTING SWITCHES.
 - WIRE LUG CONTACTS WILL ACCEPT 2 #20 AWG SOLID OR STRANDED WIRES.
 - CUSTOMER INSTALLED EXTERNAL JUMPER BETWEEN TERMINALS 2 AND 4 REQUIRED FOR 1 POLE 3 THROW FUNCTION.
 - CUSTOMER INSTALLED EXTERNAL JUMPERS BETWEEN TERMINALS 2 AND 4 AS WELL AS 8 AND 10 REQUIRED FOR 2 POLE 3 THROW FUNCTION.
 - ALL NEWLY TOOLED SWITCHES ARE MARKED TYCO PER SPEC 202-37 WITH ALCO BENEATH TYCO AS SHOWN. ALL EXISTING SWITCHES DO NOT INCLUDE THE TYCO LOGO. MARKINGS MAY BE BLACK INK STAMPED OR STAMPED INTO METAL FRAME.

THIS DRAWING IS A CONTROLLED DOCUMENT.

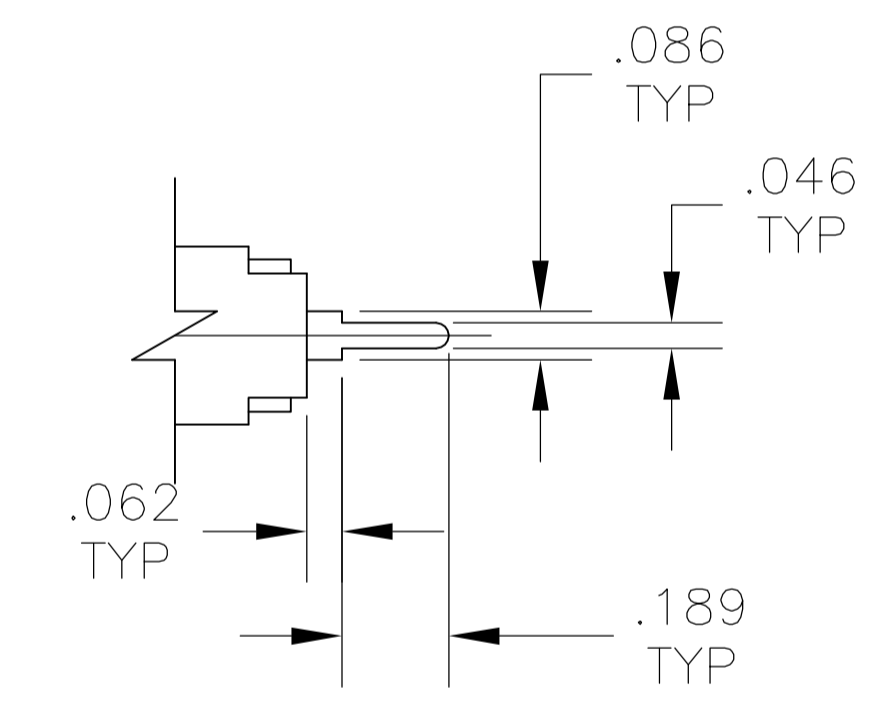
DIMENSIONS: INCHES	TOLERANCES UNLESS OTHERWISE SPECIFIED:	DWN: M. BINNER	290EC03		Tyco Electronics Corporation Harrisburg, Pa 17105-3608
0 PLC ± -	1 PLC ± -	CHK: M. ZITTO	290EC03		
2 PLC ± -	3 PLC ± .005	APP'D: M. ZITTO	290EC03	NAME: TOGGLE SWITCH, MTL SERIES VERTICAL MOUNT	RESTRICTED TO: -
4 PLC ± -	ANGLES ± -	FINISH: -	FINISH: -	SIZE: A1	CAGE CODE: 00779
MATERIAL: -	FINISH: -	WEIGHT: -	WEIGHT: -	DRAWING NO: 3-1437559-7	
CUSTOMER DRAWING			SCALE: 1:1	SHEET: 1 OF 3	REV: C



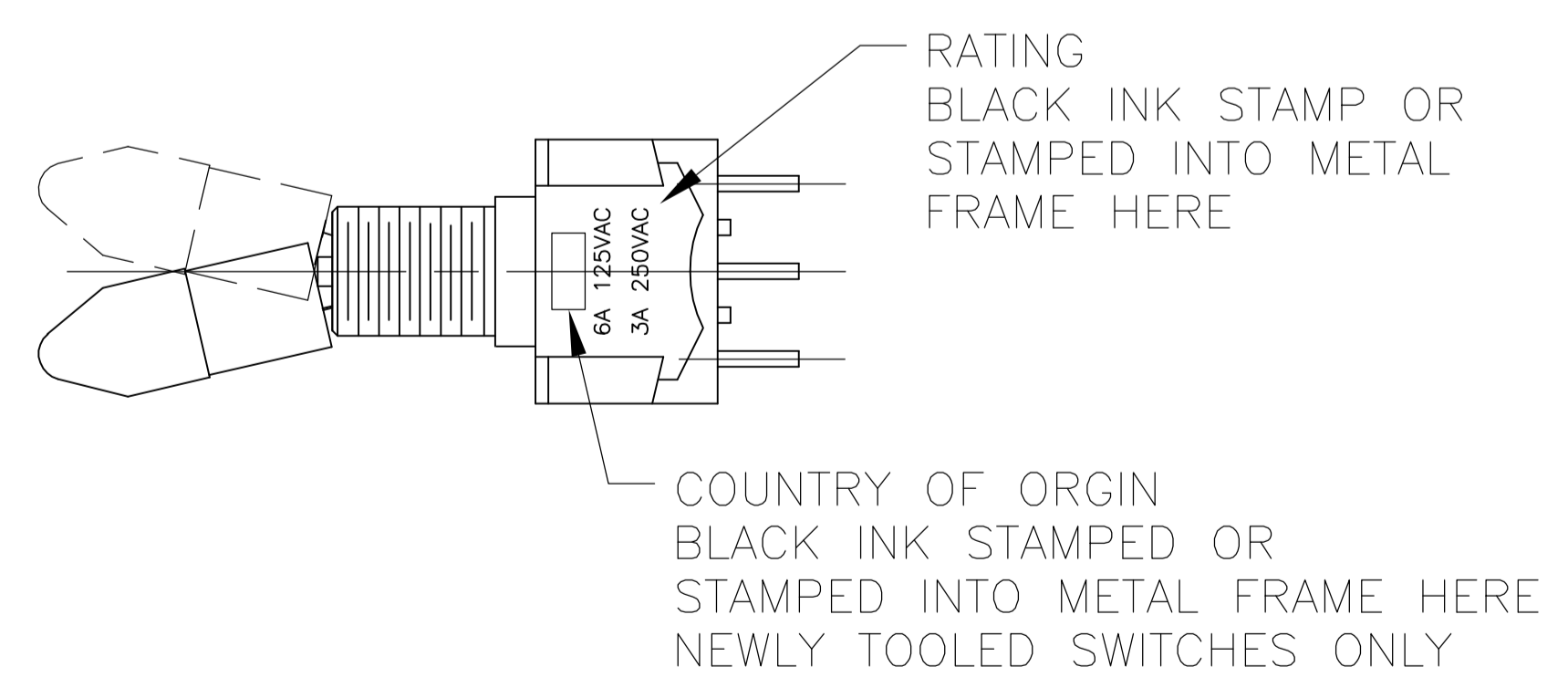
MTL-106 MTL-206



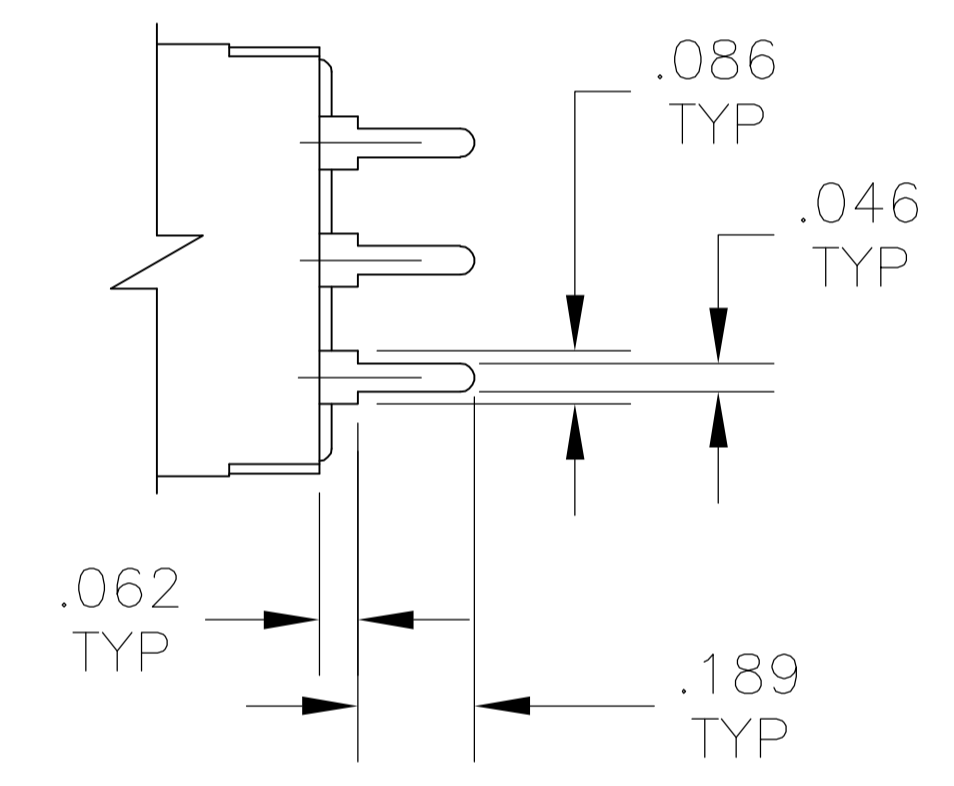
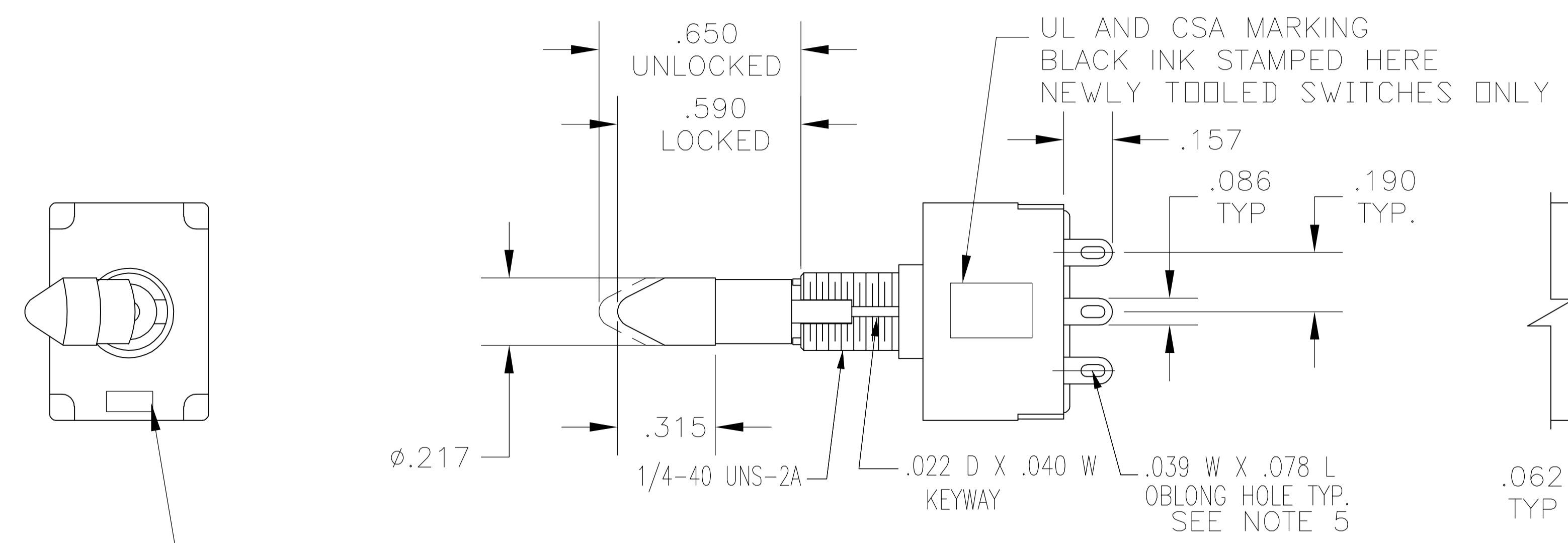
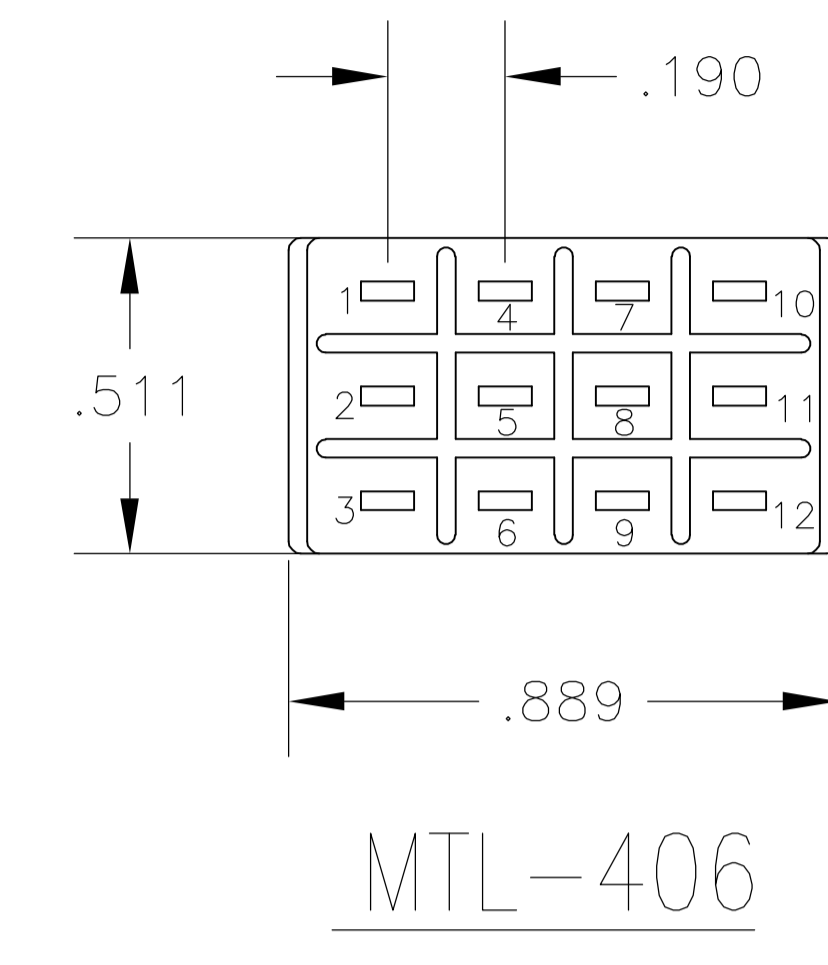
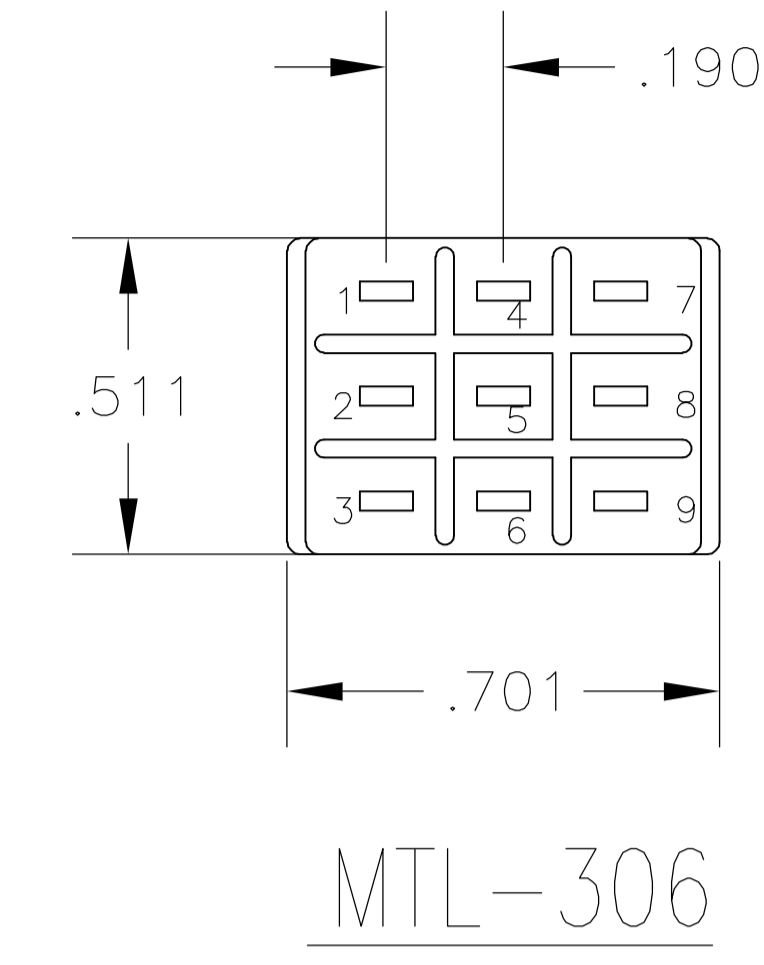
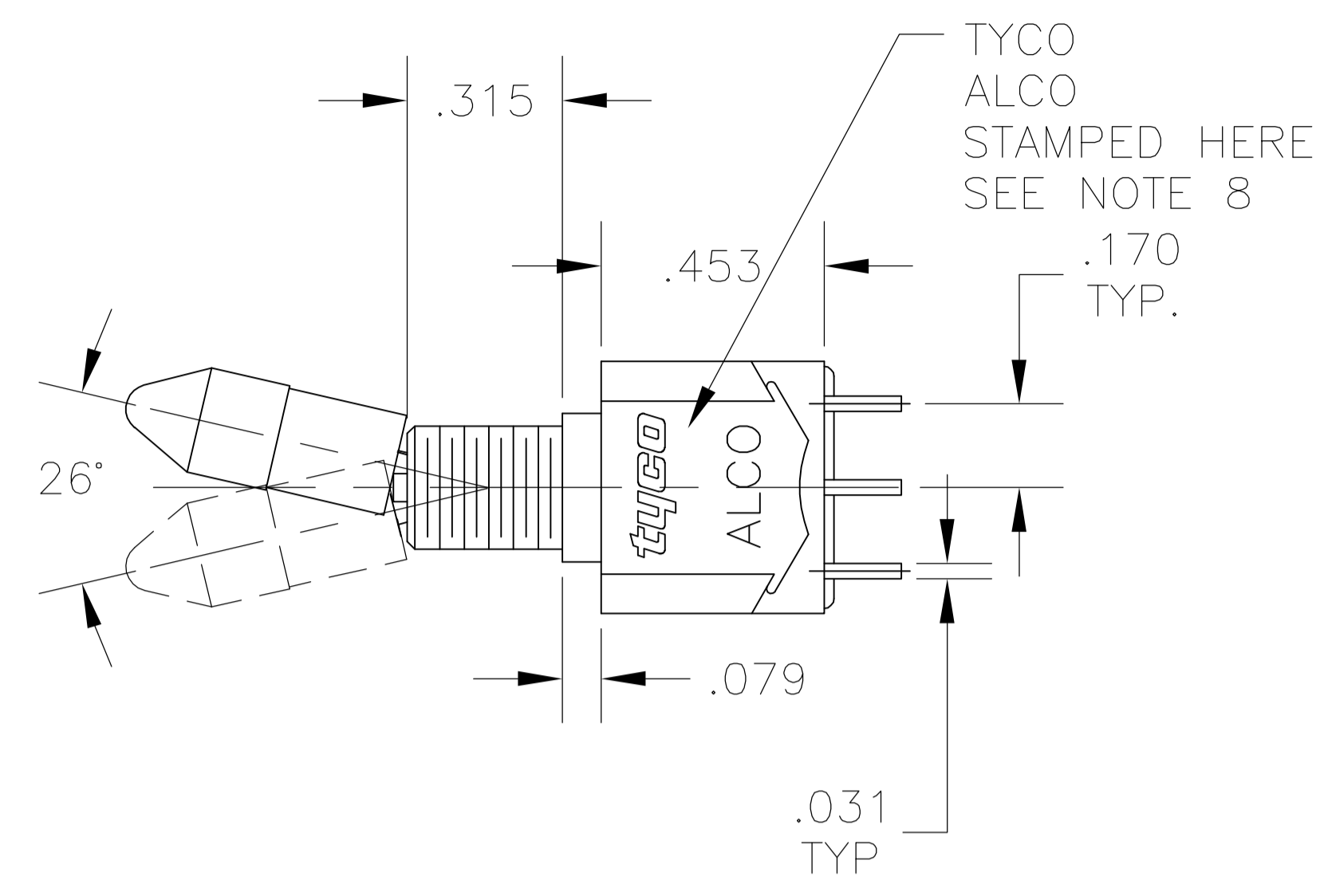
WIRE LUG TERMINAL



PC TERMINAL



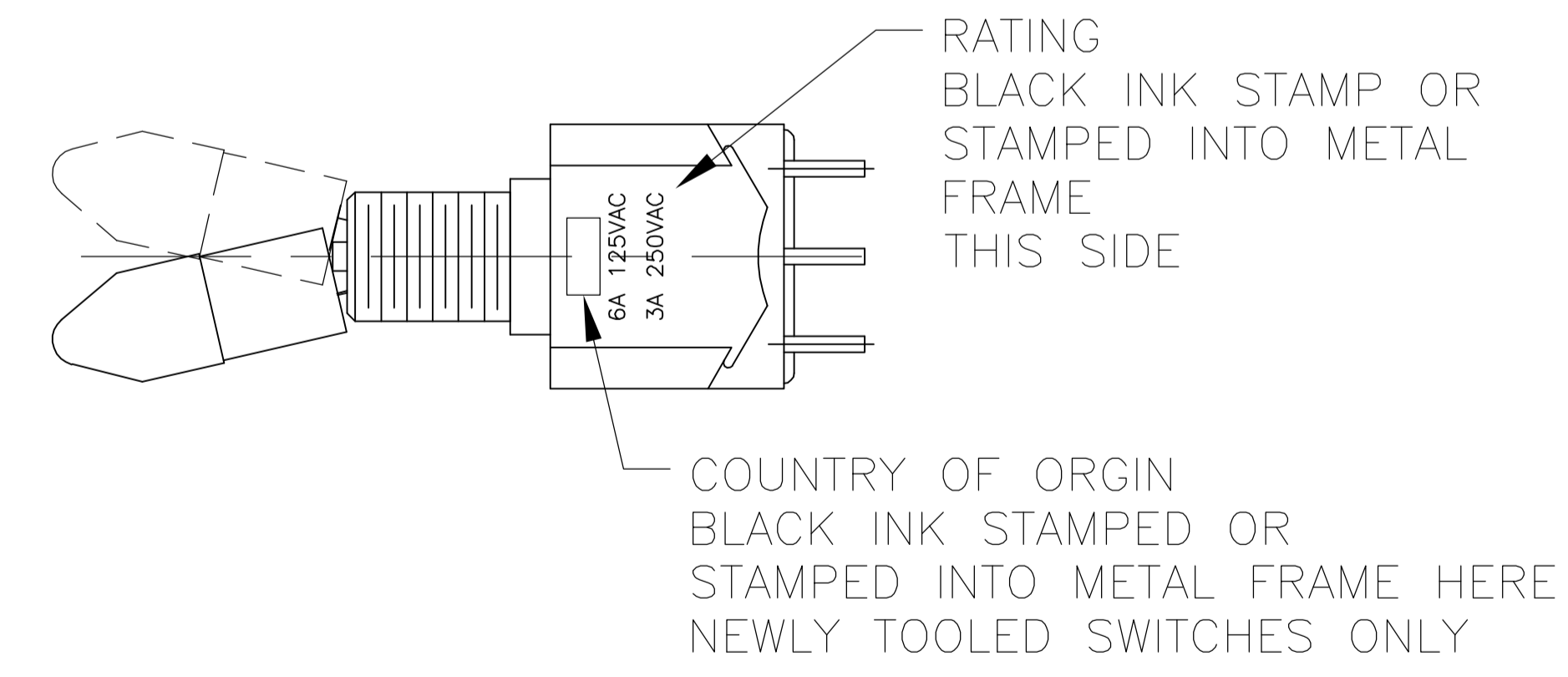
THIS DRAWING IS A CONTROLLED DOCUMENT.		DWN M. BINNER 29DEC03		Tyco Electronics Corporation Harrisburg, Pa 17105-3608	
DIMENSIONS: INCHES		CHK M. ZITTO 29DEC03		NAME TOGGLE SWITCH, MTL SERIES VERTICAL MOUNT	
TOLERANCES UNLESS OTHERWISE SPECIFIED:		APVD M. ZITTO 29DEC03	PRODUCT SPEC		
0. PLC ± .005		APPLICATION SPEC			
1. PLC ± .005		RESTRICTED TO			
2. PLC ± .005		SIZE A1			
3. PLC ± .005		CAGE CODE 00779			
4. PLC ± .005		DRAWING NO 3-1437559-7			
ANGLES ± .005		WEIGHT			
FINISH		CUSTOMER DRAWING			
		SCALE 1:1		SHEET 2 OF 3	
				REV C	



COUNTRY OF ORGIN
STAMPED HERE
EXISTING
SWITCHES ONLY

WIRE LUG TERMINAL

PC TERMINAL



THIS DRAWING IS A CONTROLLED DOCUMENT.		DWN M. BINNER 29DEC03		Tyco Electronics Corporation Harrisburg, Pa 17105-3608	
DIMENSIONS: INCHES		CHK M. ZITTO 29DEC03		NAME M. ZITTO 29DEC03	
TOLERANCES UNLESS OTHERWISE SPECIFIED:		PRODUCT SPEC		TOGGLE SWITCH, MTL SERIES VERTICAL MOUNT	
0 PLC ± -		APPLICATION SPEC		RESTRICTED TO	
1 PLC ± -		SIZE		A1	
2 PLC ± -		CAGE CODE		00779	
3 PLC ± .005		DRAWING NO		3-1437559-7	
4 PLC ± -		WEIGHT		3 OF 3	
ANGLES ± -		CUSTOMER DRAWING		REV C	
FINISH		SCALE		1:1	
		SHEET		3 OF 3	