



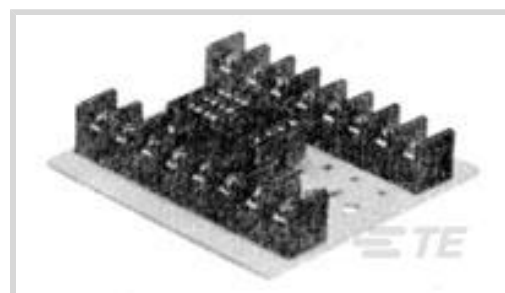
Potter & Brumfield | Potter & Brumfield R10

TE Internal #: 4-1393143-5

Potter & Brumfield R10, Relay Accessories, Sockets & Clips, Socket, Track Mount Socket Type, Phenolic, For Use With R10 Relays, Chassis Mount

[View on TE.com >](#)

Relays, Contactors & Switches > Relays > Relay Accessories, Sockets & Clips



Product Type: **Socket**

Socket Type: **Track Mount**

Grounding Provision: **Without**

Body Material: **Phenolic**

For Use With: **R10 Relays**

Features

Product Type Features

Terminal Configuration	Screw
Product Type	Socket
Accessory Type	Socket

Configuration Features

Grounding Provision	Without
---------------------	---------

Body Features

Body Material	Phenolic
---------------	----------

Contact Features

Terminal Length	5.33 mm[.21 in]
Contact Plating Material	Tin
Contact Base Material	Spring Brass
Socket Type	Track Mount
Pole Configuration	6

Termination Features

Number of Pins	22
----------------	----

Mechanical Attachment

Mounting Type	Chassis Mount
---------------	---------------



Operation/Application

For Use With	R10 Relays
--------------	------------

Product Compliance

[For compliance documentation, visit the product page on TE.com>](#)

EU RoHS Directive 2011/65/EU	Compliant
EU ELV Directive 2000/53/EC	Compliant
China RoHS 2 Directive MIIT Order No 32, 2016	No Restricted Materials Above Threshold
EU REACH Regulation (EC) No. 1907/2006	Current ECHA Candidate List: JAN 2020 (205) Candidate List Declared Against: JUN 2013 (144) Does not contain REACH SVHC
Halogen Content	Not Low Halogen - contains Br or Cl > 900 ppm.
Solder Process Capability	Not applicable for solder process capability

Product Compliance Disclaimer

This information is provided based on reasonable inquiry of our suppliers and represents our current actual knowledge based on the information they provided. This information is subject to change. The part numbers that TE has identified as EU RoHS compliant have a maximum concentration of 0.1% by weight in homogenous materials for lead, hexavalent chromium, mercury, PBB, PBDE, DBP, BBP, DEHP, DIBP, and 0.01% for cadmium, or qualify for an exemption to these limits as defined in the Annexes of Directive 2011/65/EU (RoHS2). Finished electrical and electronic equipment products will be CE marked as required by Directive 2011/65/EU. Components may not be CE marked. Additionally, the part numbers that TE has identified as EU ELV compliant have a maximum concentration of 0.1% by weight in homogenous materials for lead, hexavalent chromium, and mercury, and 0.01% for cadmium, or qualify for an exemption to these limits as defined in the Annexes of Directive 2000/53/EC (ELV). Regarding the REACH Regulation, the information TE provides on SVHC in articles for this part number is based on the latest European Chemicals Agency (ECHA) 'Guidance on requirements for substances in articles' posted at this URL: <https://echa.europa.eu/guidance-documents/guidance-on-reach>

Compatible Parts

 <p>TE Model / Part # 7-1393765-7 R10-E1P6-V430=R10</p>	 <p>TE Model / Part # 2-1393766-2 R10-E1X6-V430=R10</p>	 <p>TE Model / Part # 2-1393766-4 R10-E1X6-V90=R10</p>	 <p>TE Model / Part # 1419111-6 24A110=TRACK,MOUNTING</p>
--	--	---	--




TE Model / Part # 6-1393766-3
 R10-E1Y6-V90=R10



TE Model / Part # 6-1393766-0
 R10-E1Y6-V1.5K=R10



TE Model / Part # 6-1393766-2
 R10-E1Y6-V9.0K=R10



TE Model / Part # 8-1393766-6
 R10-E1Z6-V430=R10



TE Model / Part # 6-1393766-5
 R10-E1Y6-24V=R10



TE Model / Part # 6-1393766-1
 R10-E1Y6-V430=R10



TE Model / Part # 8-1393766-3
 R10-E1Z6-J2.5K=R10



TE Model / Part # 6-1393765-1
 R10-E1M6-V430=R10



TE Model / Part # 6-1393765-2
 R10-E1M6-V90=R10



TE Model / Part # 7-1393765-9
 R10-E1P6-115V=R10



TE Model / Part # 7-1393765-8
 R10-E1P6-V90=R10



TE Model / Part # 2-1393766-0
 R10-E1X6-V1.5K=R10



TE Model / Part # 2-1393766-3
 R10-E1X6-V9.0K=R10

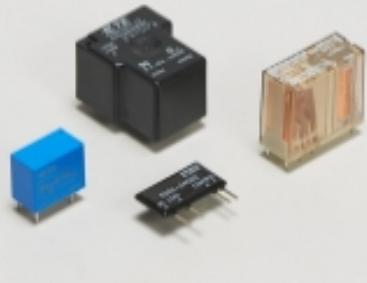


TE Model / Part # 8-1393766-5
 R10-E1Z6-V1.5K=R10




TE Model / Part # 1393768-9
 R10-E6X2-115V=R10

Also in the Series | **Potter & Brumfield R10**



Power Relays(180)

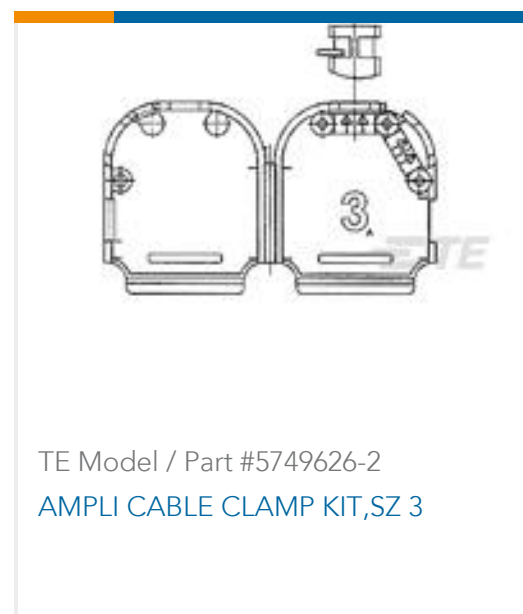


Relay Accessories, Sockets & Clips(34)

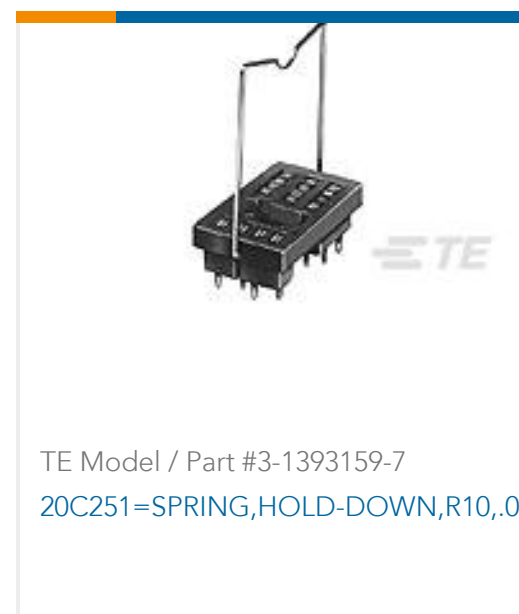
Customers Also Bought



TE Model / Part #7-1393765-7
R10-E1P6-V430=R10



TE Model / Part #5749626-2
AMPLI CABLE CLAMP KIT,SZ 3



TE Model / Part #3-1393159-7
20C251=SPRING,HOLD-DOWN,R10,0



TE Model / Part #2-1393766-2
R10-E1X6-V430=R10



TE Model / Part #1757820-9
AMPLIMITE,ASY,RCPT,STD,109,ZN,4,
CT



TE Model / Part #2-5330061-1
BNC PLUG



TE Model / Part #9-1393159-5
40G432=INSUL,SKT TRACK MTG,R10



TE Model / Part #8-1393766-6
R10-E1Z6-V430=R10



TE Model / Part #1419111-5
24A071=CLIP,SKT,ASSY,W/SCW

Documents

CAD Files

3D PDF

3D

Customer View Model

[ENG_CVM_CVM_4-1393143-5_A.2d_dxf.zip](#)

English

Customer View Model

[ENG_CVM_CVM_4-1393143-5_A.3d_igs.zip](#)

English

Customer View Model

[ENG_CVM_CVM_4-1393143-5_A.3d_stp.zip](#)

English

By downloading the CAD file I accept and agree to the [Terms and Conditions](#) of use.

Datasheets & Catalog Pages

R10 Sockets & Accessories

English

Industrial Relays Quick Reference Guide

English



Product Specifications

Definitions Relays

English