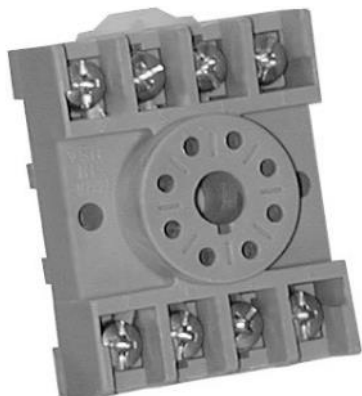
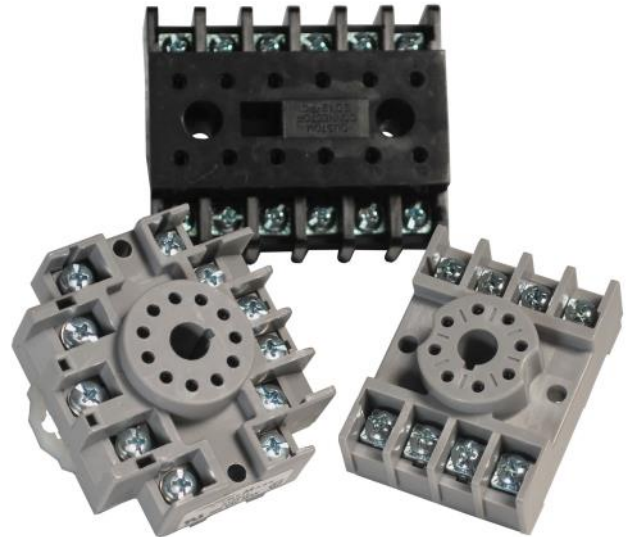


MODEL 51X120 MODEL 51X016 MODEL 51X156

Sockets

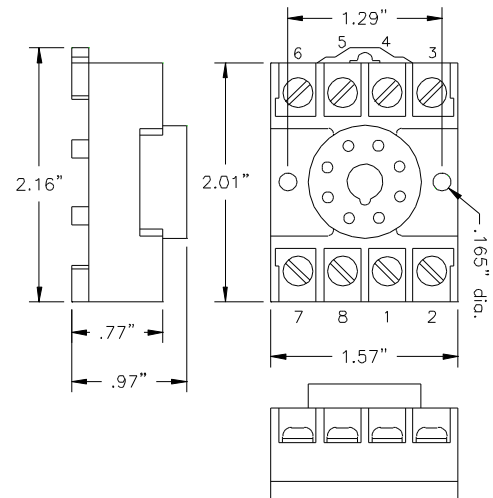
- **8-Pin Socket: (Model 51X120)**
10 Amps at 600VAC Rating
- **11-Pin Socket: (Model 51X016)**
10 Amps at 300VAC Rating
- **12-Pin Socket: (Model 51X156)**
10 Amps at 600VAC Rating



The **Model 51X120 8-Pin Socket** can be surface or DIN-rail mounted and is suitable for use up to 600 VAC.

The thermoplastic body can withstand temperatures up to 300° F continuously without melting or electrical breakdown. Terminals are #6-32 screws, and are suitable for use with wire sizes up to two #12 AWG. The one piece molded body does not require a separate insulator strip.

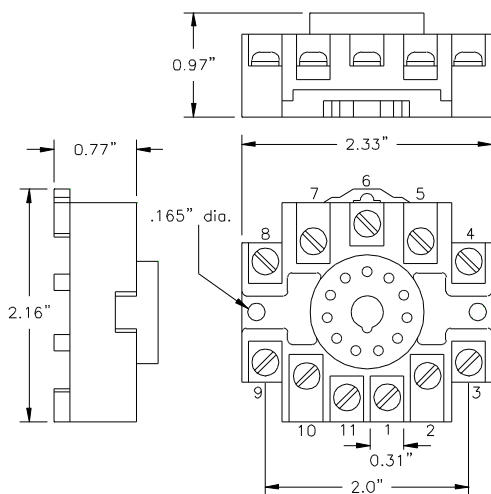
The Model 51X120 is UL Recognized, CSA Certified, and CE (European Conformity) Accepted.



The **Model 51X016 11-Pin Socket** can be surface or DIN-rail mounted and is suitable for use up to 300 VAC.

The thermoplastic body can withstand temperatures up to 300°F continuously without melting or electrical breakdown. Terminals are #6-32 screws, and are suitable for use with wire sizes up to two #12 AWG. The one piece molded body does not require a separate insulator strip.

The Model 51X016 is UL Recognized, CSA Certified, and CE (European Conformity) Accepted.



Telephone: Main - (918) 438-1220
Sales - (800) 862-2875
Fax: (918) 437-7584

E-mail: sales@time-mark.com
Internet: http://www.time-mark.com



TIME MARK
CORPORATION

11440 East Pine Street
Tulsa, Oklahoma 74116

10/2019
© 2019 TIME MARK CORPORATION

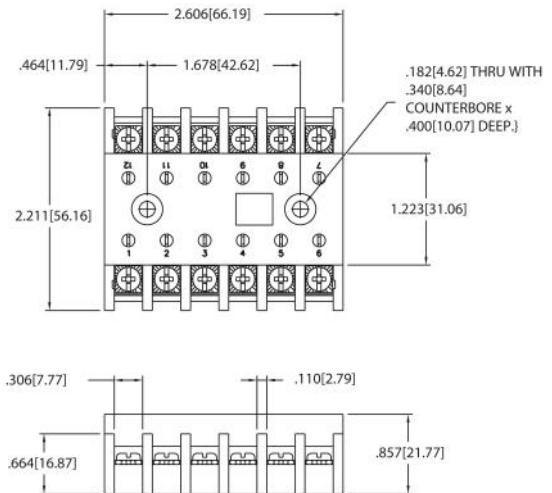
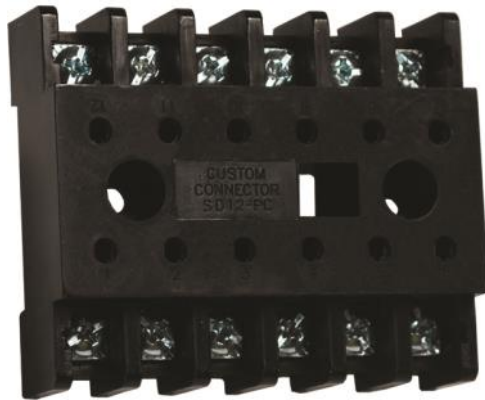
TIME MARK is a division of  AEMT, Inc.

MODELS 51X120/51X016/51X156

Sockets

The Model 51X156 is a 12-pin heavy duty socket and can be used with Time Mark's models 261XBXP and 261XBXP Alternating Relays.

Pressure clamp screws are #6-32 Zinc plated steel with a wire range of #12 to #22 AWG. Contacts are nickel plated brass. This socket is rated up to 600VAC and is UL Recognized, CSA Certified, and CE (European Conformity) Accepted.



Telephone: Main - (918) 438-1220
Sales - (800) 862-2875
Fax: (918) 437-7584

E-mail: sales@time-mark.com
Internet: <http://www.time-mark.com>



11440 East Pine Street
Tulsa, Oklahoma 74116

10/2019
© 2019 TIME MARK CORPORATION

TIME MARK is a division of  AEMT, Inc.