

## MODEL 52901

# 3-Phase Fuse Block

- Protects Low Current Devices up to 600 VAC
- Utilizes inexpensive 20mm or 32mm ceramic fuses
- Includes 3 fuses installed + 2 spares
- Panel Mount or DIN Rail Mount
- Can Be Used as 3 Single Fuse Links

### DESCRIPTION

The fuse block is designed to provide fuse protection for low current (<3 Amp) 600VAC devices. Time Mark fuse blocks will accept 20mm or 32mm ceramic fuses for maximum flexibility. The fuse block includes three 20mm 1A fuses installed plus two spare fuses (SKU: 520078). Time Mark fuse blocks are available with screw terminals (-01) or FASTON 0.187 terminals (-02).

Additional fuses may be ordered if needed:

SKU: 520078 1A, 600V, 20mm

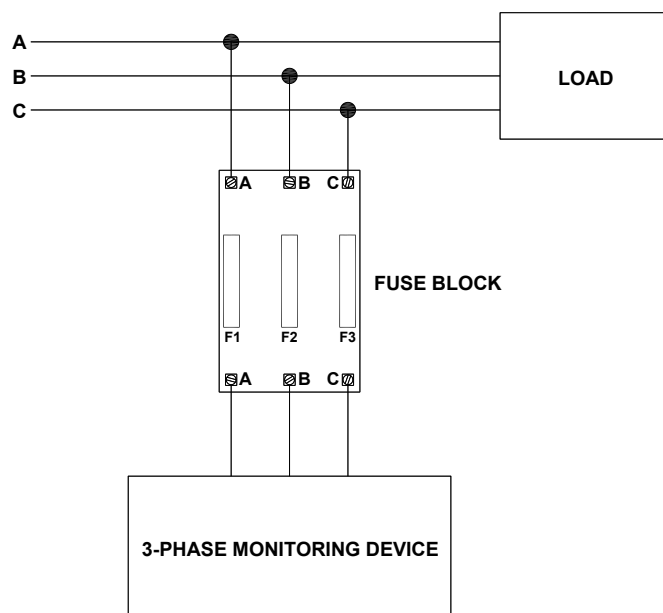
SKU: 520079 1A, 600V, 32mm

### SPECIFICATIONS

MODEL	52901-01	52901-02
Termination	Screw Terminal	FASTON 0.187"
Voltage	600VAC Max.	
Current	3A Max.	
Operating Temp.	-40° to +140° F	
Humidity	97% w/o condensation	
Material	Base: NORYL Cover: Polycarbonate	
Wire Size	14-26 AWG Max.	
Mounting	Any	
Dimensions	3.7" x 2.2" x 1.2"	
Weight	2 oz.	



### TYPICAL APPLICATION



Telephone: Main - (918) 438-1220  
Sales - (800) 862-2875  
Fax: (918) 437-7584

E-mail: sales@time-mark.com  
Internet: http://www.time-mark.com



11440 East Pine Street  
Tulsa, Oklahoma 74116

06/2019  
© 2019 TIME MARK CORPORATION

TIME MARK is a division of  AEMT, Inc.

# MODEL 52901

# Fuse Block

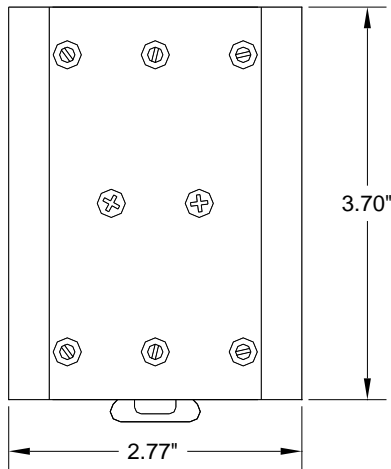
READ ALL INSTRUCTIONS BEFORE INSTALLING, OPERATING OR SERVICING THIS DEVICE.  
KEEP THIS DATA SHEET FOR FUTURE REFERENCE.

## GENERAL SAFETY

POTENTIALLY HAZARDOUS VOLTAGES ARE PRESENT AT THE TERMINALS OF THE FUSE BLOCK.  
ALL ELECTRICAL POWER SHOULD BE REMOVED WHEN CONNECTING OR DISCONNECTING WIRING.  
REINSTALL SAFETY COVER AFTER REPLACING FUSES.  
THIS DEVICE SHOULD BE INSTALLED AND SERVICED BY QUALIFIED PERSONNEL.

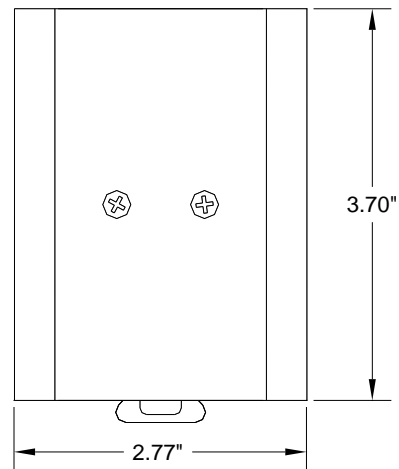
## OPERATOR INSTRUCTIONS

### DIMENSIONS



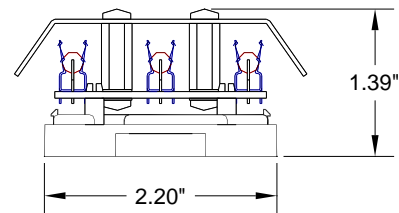
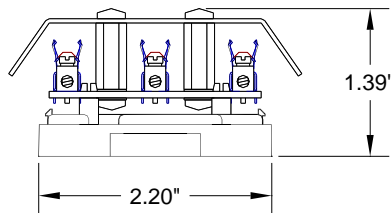
(dimensions have a tolerance of  $\pm 0.06$ )

Model 52901-01  
(Screw terminal)



(dimensions have a tolerance of  $\pm 0.06$ )

Model 52901-02  
(FASTON 0.187")



### WARRANTY

This product is warranted to be free from defects in materials and workmanship for one year. Should this device fail to operate, we will repair it for one year from the date of manufacture. For complete warranty details, see the *Terms and Conditions of Sales* page in the front section of the Time Mark catalog or contact Time Mark at 1-800-862-2875. (Note: Fuses are NOT covered under the warranty).

Telephone: Main - (918) 438-1220  
Sales - (800) 862-2875  
Fax: (918) 437-7584

E-mail: [sales@time-mark.com](mailto:sales@time-mark.com)  
Internet: <http://www.time-mark.com>



11440 East Pine Street  
Tulsa, Oklahoma 74116

06/2019  
© 2019 TIME MARK CORPORATION

TIME MARK is a division of  AEMT, Inc.