

MODEL 4000

Surface-Mount Kit

- 20 Ga CRS Enclosure
- Removable Access Panel
- Support Brackets
- Durable Powder Coat Finish

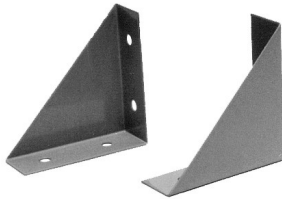


DESCRIPTION

The Model 4000 Surface-Mounting Kit makes it easy to install the following Time Mark Liquid Level Controllers: Models 403, 404, 4042, 4052, 4062 and 408.

This 20 gauge steel enclosure features a removable top panel for easy access to connections. The mounting kit comes complete with everything you need, including steel support brackets. Designed for applications that require surface-mounting of our Liquid Level Controls.

Steel Mounting Brackets



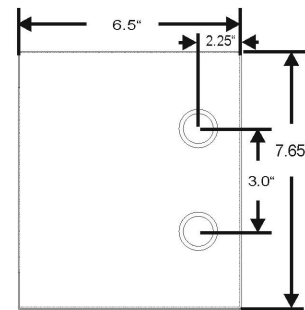
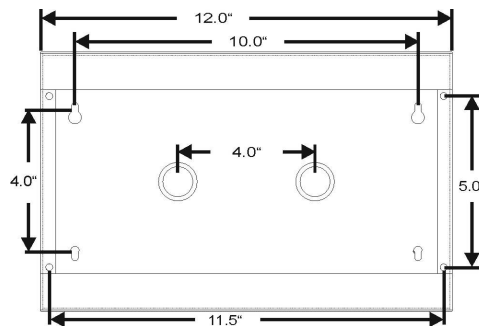
SPECIFICATIONS

MODEL	4000
Hardware	4 - #10 bracket mounting screws 7 - #8-32 screws & lock washers
Enclosure Material	20 gauge steel, powder-coated finish
Knock-outs	8 - 1/2" and 3/4" conduit fitting
Weight	3.5 lbs

Removable Access Panel



DIMENSIONS



Telephone: Main - (918) 438-1220
Sales - (800) 862-2875
Fax: (918) 437-7584

E-mail: sales@time-mark.com
Internet: http://www.time-mark.com



11440 East Pine Street
Tulsa, Oklahoma 74116

11/2011
© 2011 TIME MARK CORPORATION

TIME MARK is a division of  AEMT, Inc.

