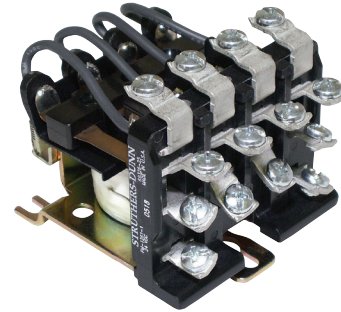


# PM Series - Open Style Power Relay

## 4PDT, 35 Amp



The PM Series relays offer 4 double throw poles (4PDT) for up to 35 amp at 240 VAC or 20 amp at 28VDC. Product also is capable of 10 amps tungsten switching. Screw terminals (8-32) are standard but .250" quick connects are also available.



### GENERAL SPECIFICATIONS (@ 25° C)

#### Contacts:

Contact Configuration	4PDT
Contact Material	Silver Alloy
Contact Rating	
120 / 240VAC	25 Amp Resistive
30VDC	20 Amp Resistive
277VAC	25 Amp
277VAC	35 Amp Resistive
240VAC	15 Amp
480VAC	2 Hp
240VAC	10Amp Tungsten
480VAC	10Amp
Motor 240VAC 1 Phase	1.5Hp
Contact Resistance, Initial	100 milliohms max @ 6VDC

#### Coil:

Coils Available	AC and DC
Nominal Coil Power	14VA 4.4W
Input Voltage Tolerance - AC	85% to 110% of nominal
Input Voltage Tolerance - DC	80% to 110% of nominal
Drop-out voltage	10% of nominal
Duty	Continuous

#### Timing:

Operate Time (max)	40ms
Release Time (max)	30ms

#### Dielectric Strength:

Across Open Contacts	1500 VRMS
Between Mutually Insulated Points	2200 VRMS
Insulation Resistance	1000 megohms @ 500VAC

#### Temperature:

Operating	-34 to 74°C (-30 to 165°F)
Storage	-40 to 105°C (-40 to 221°F)

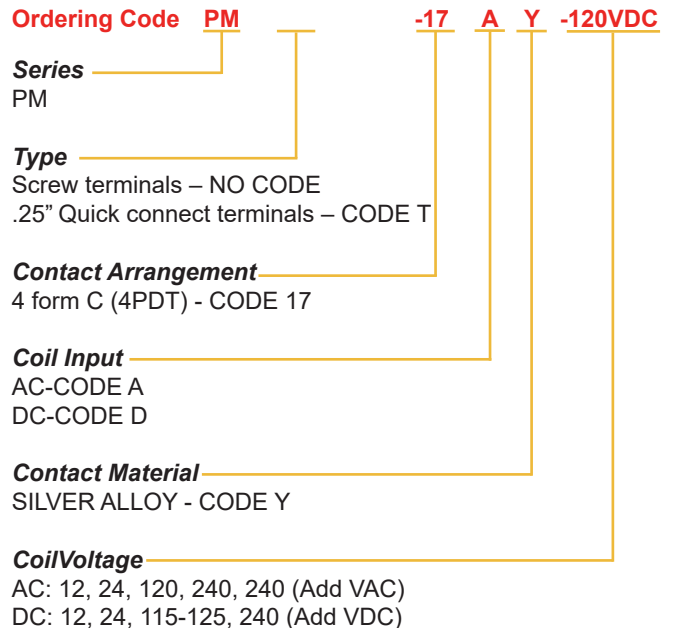
#### Life Expectancy:

Electrical (full load operations)	100,000
Mechanical (no load operations)	2,000,000

#### Miscellaneous:

Mounting Position	Any
Enclosure	Optional - 35D203
Weight	14.9oz (379 grams)

COIL DATA FOR PM RELAYS					
DC COILS			AC COILS (50/60 Hz)		
Nominal Voltage	DC Resis, In Ohms ± 10% @ 25° C	Nominal Current In Milliamps	Nominal Voltage	DC Resis, In Ohms ± 15% @ 25° C	Nominal Current In Milliamps
6	8.2	732	6	.37	2150
12	33	364	12	1.4	1070
24	132	182	24	5.0	540
48	526	91	120	120	128
110	2760	40	240	587	61
125	3570	35	480	1790	32
220	<b>Use a 110 volt relay with 2700 to 3300 ohm 5 watt wire wound resistor in series.</b>				



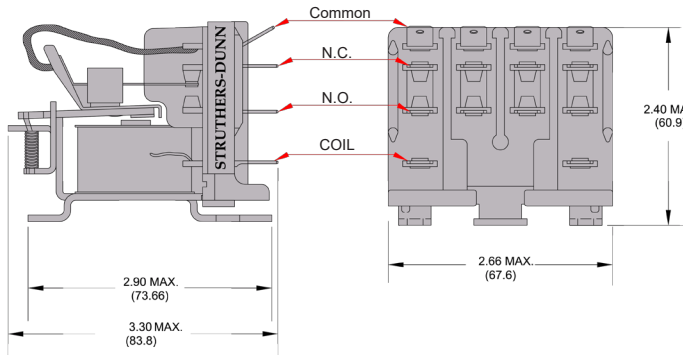
# Power Relays

## 30 - 300 Amp

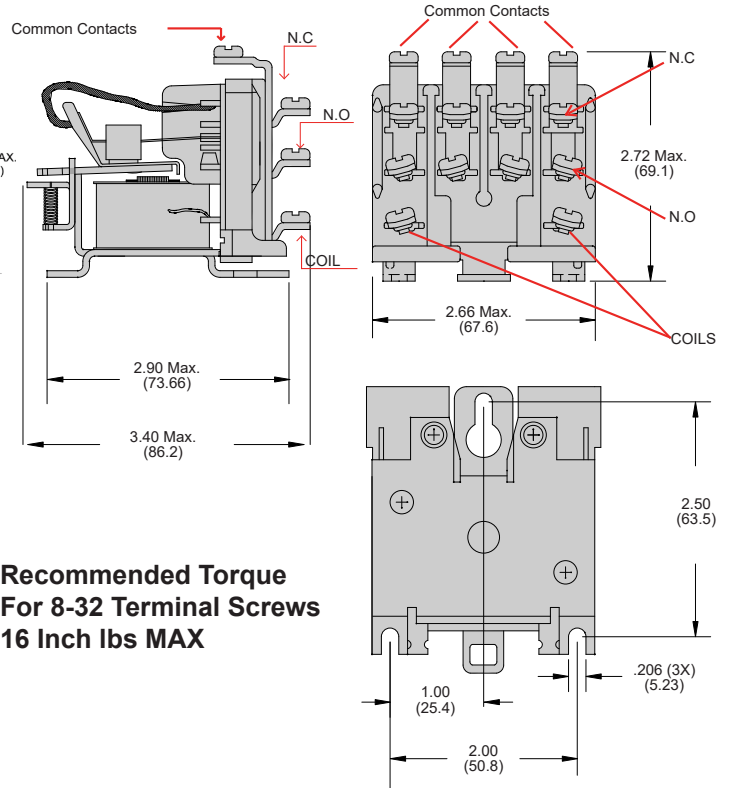
### Max Outline Dimensions

Dimensions Shown in inches & (millimeters)

#### PMT - 1/4 QC Terminal Style Base



#### PM - Standard with Screw Terminals



**Recommended Torque  
For 8-32 Terminal Screws  
16 Inch lbs MAX**

**Dust Cover Optional  
Part Number - 35D203**



### Outline Dimensions

Dimensions Shown in inches & (millimeters)

#### PM Dust Cover

