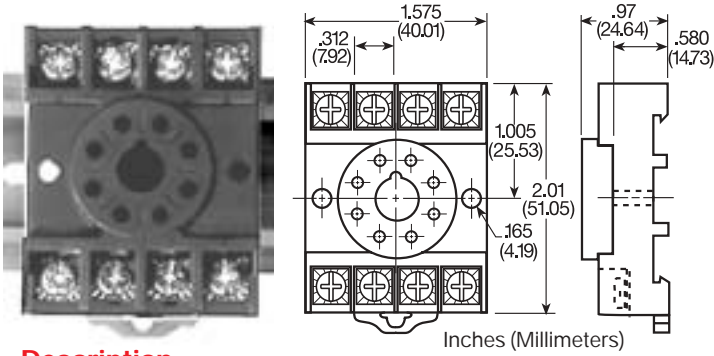


## Accessories-Motor Protectors

### DIN Rail or Surface Mount Sockets

#### 8 Pin Octal Socket

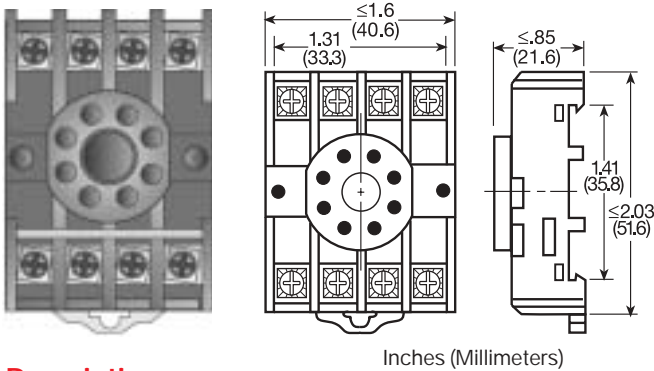


#### Description

8 pin DIN rail or surface mount socket. OT08 is rated at 10 A at 600 V AC and has screw terminals. OT08PC is rated at 10 A at 300 V AC and has pressure clamp terminals. For use with AWG 12 to 22 (3.2 to 0.33 mm<sup>2</sup>) wire sizes.

Part Number	Rating	Termination
OT08	600 V AC	Screws
OT08PC	300 V AC	Pressure Clamps

#### 8 Pin Octal Socket



#### Description

May be mounted with two #6 (M 3.5 x 0.6) screws or snaps onto a 35 mm DIN rail by means of a spring mechanism which also allows for easy removal. Screw terminals with captive wire clamps accept up to two #14 AWG (2.45 mm<sup>2</sup>) wires. Rated 10 A at 300 V AC.

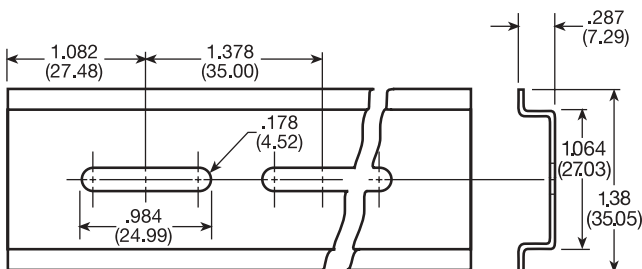
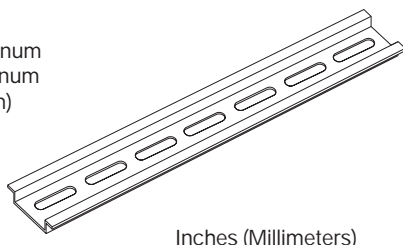
P/N: NDS 8

### DIN Rail

#### Description

Industry standard 35 mm aluminum or steel DIN rail. C103PM aluminum rail is available in 36 in. (91.4 cm) lengths. 17322005 steel rail is available in 78 in. (2 m) lengths.

P/N: C103PM (Al)  
17322005 (Steel)



### Hold-Down Brackets

#### Description

Securely mounts plug in controls in any position. Also provides protection against vibration. Select the PSC8 for use with NDS8 socket. Comes in sets of two.



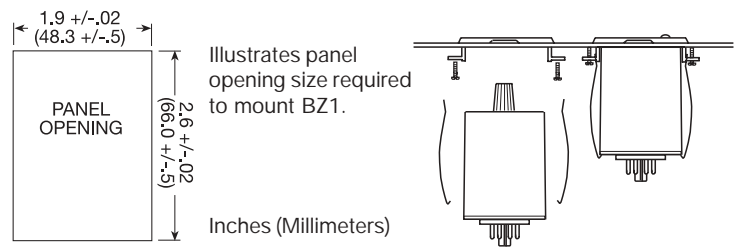
### Panel Mount Kit



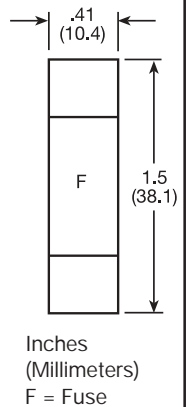
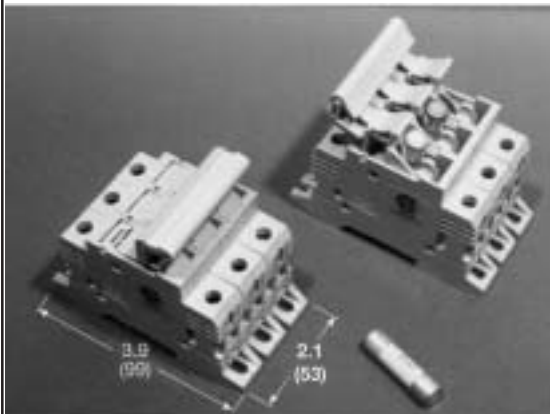
#### Description

Provides an easy method of through-the-panel mounting of 1.78 x 2.39 in. (60.7 x 45.2 mm) 8 or 11 pin plug-in timers, flashers, and other controls. May be mounted in panels up to 0.125 in. (3.2 mm) thick. Includes two clamps and two screws.

P/N: BZ1



### Three Phase Fuse Block/Disconnect



#### Description

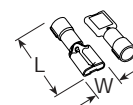
Three phase fuse block disconnect designed for use with HRC midget fuses [1.5 x .41 in. (38.1 x 10.4 mm)] rated up to 25 A at 500 V AC. Surface or 35mm DIN rail mountable. 3.9 x 2.09 x 2.2 in. (99 x 53.1 x 55.9 mm)

#### Midget Fuse

Fast acting fuse for use with voltage monitors. Rated 2 A at 500 V AC. 1.5 x .41 in. (38.1 x 10.4 mm)

Part Number	Description
P0700-241	Fuse Block
P0600-11	Fuse

### Female Quick Connect Terminals



#### Description

These 0.25 in. (6.35 mm) female terminals are constructed with an insulator barrel to provide strain relief. L = 0.83 (21.1) W = 0.3 (7.6) Inches (Millimeters)

Part Number	Wire Size
P1015-13	AWG 10/12 (5.3/3.2 mm <sup>2</sup> )
P1015-64	AWG 14/16 (2.5/1.3 mm <sup>2</sup> )
P1015-14	AWG 18/22 (0.93/0.33 mm <sup>2</sup> )