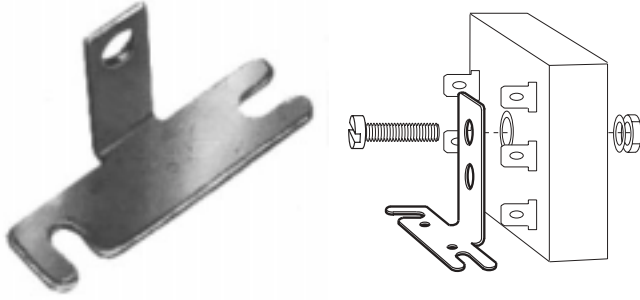


## Accessories-Mounting Methods, Terminals and Varistors

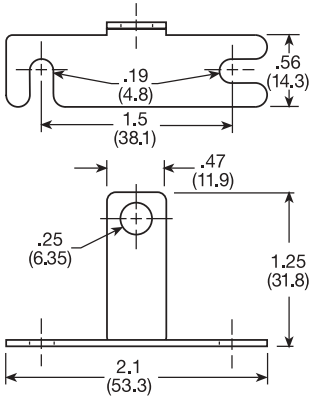
### Mini-Mount/Standard Mount



#### Description

Provides a convenient method of mounting 2 x 2 x 1.21 in. (50.8 x 50.8 x 30.7 mm) or 2 x 3 1.5 in. (50.8 x 76.2 x 38.1 mm) modules. The 90° orientation of mounting slots makes installation/removal of modules quick and easy. The P1023 6 secures to module with a #8 (M4 x 0.7) screw. The P1023 7 secures to 2 x 2 x 1.21 in. (50.8 x 50.8 x 30.7 mm) module with Mini-Pot for local adjustment. Made from steel with a cadmium surface finish.

Mounting Method	Mounting Hole Size	P/N
#8 (M4 x 0.7) screw	0.19 in. (4.8 mm)	P1023 6
Mini-Pot	0.25 in. (6.35 mm)	P1023 7



### Panel Mount Kit

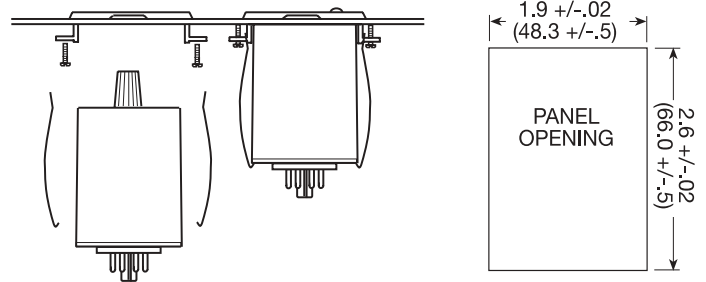


#### Description

Provides an easy method of through-the-panel mounting of 8 or 11 pin plug-in timers, flashers, and other controls. May be mounted in panels up to 0.125 in. (3.2 mm) thick. Includes two clamps and two screws.

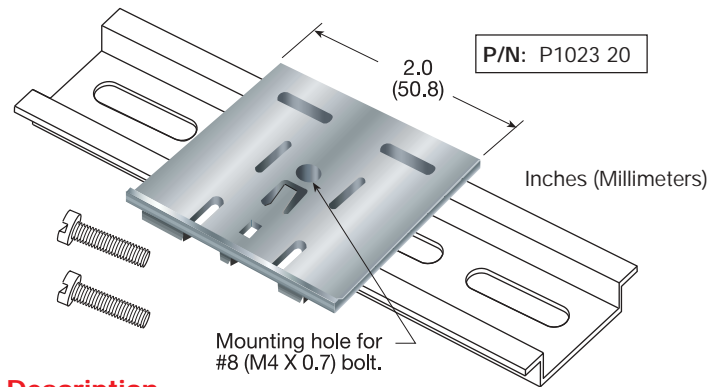
P/N: BZ1

Inches (Millimeters)



Illustrates panel opening size required to mount BZ1.

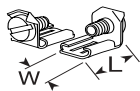
### DIN Rail Mount



#### Description

Allows any 2 x 2 in. (50.8 x 50.8 mm) or 2 x 3 in. (50.8 x 76.2 mm) module to be mounted on a 35 mm DIN type rail. Comes complete with mounting hardware for 0.75 in. (19 mm) and 1 in. (25.4 mm) thick package.

### Quick Connect Screw Adaptor



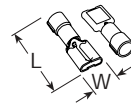
L = 0.55 (41.0)  
 W = 0.32 (8.1)

#### Description

Female screw adaptor terminal designed for use with all modules with 0.25 in. (6.35 mm) male quick connect terminals. Screw terminal accepts ring or spade terminals.

P/N: P1015 18

### Female Quick Connect Terminals



L = 0.83 (21.1)  
 W = 0.3 (7.6)  
 Inches (Millimeters)

#### Description

These 0.25 in. (6.35 mm) female terminals are constructed with an insulator barrel to provide strain relief.

Part Number	Wire Size
P1015 13	AWG 10/12 (5.3/3.2 mm <sup>2</sup> )
P1015 64	AWG 14/16 (2.5/1.3 mm <sup>2</sup> )
P1015 14	AWG 18/22 (0.93/0.33 mm <sup>2</sup> )

### Metal Oxide Varistors



P/N	Max. Operating Voltage		Max. Inpulse Current 80/20 us current wave (A)	Varistor Voltage at 1 mA DC Test Current		Peak Clamping Voltage with 80 us wave		Capacitance (pF)	Size (mm)
	DC (V)	AC (V)		Min. (V)	Max. (V)	Vc (V)	Ip (A)		
P1012 27	200	150	1200	212	268	395	10	150	7
P1012 25	200	150	4500	212	268	395	50	800	14
P1012 3	369	275	1200	389	515	775	10	85	7
P1012 6	369	275	4500	389	475	710	50	450	14