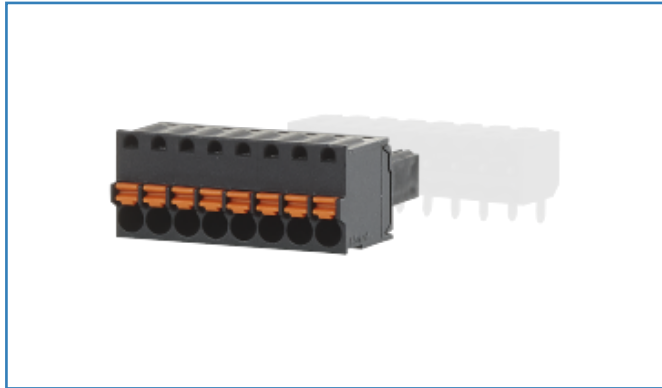


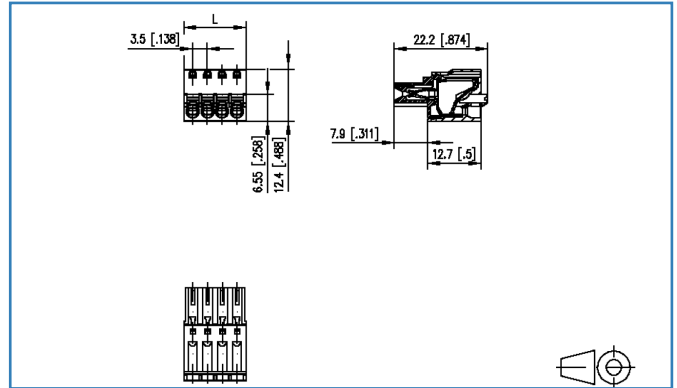
# Data sheet

## SW063xxVBNN

### Illustrations



Dimensional drawing





See enlarged drawings at the end of document

### Product specification

- spring clamp terminal block, pluggable
- centerline 3.50 mm, direction of connection vertical 0°
- color black
- push-button, wire entry uncodeable side parallel to plug direction

## Technical Data

General Data			
min. number of poles	2		
max. number of poles	24		
Insulating material class	CTI 600		
clearance/creepage dist.	1.9 mm		
protection category	IP20		
Min. insul. strip length	9 mm		
Overvoltage category	III	III	II
Pollution degree	3	2	2
Rated voltage	50 V	250 V	250 V
Rated test voltage	2.5 kV	2.5 kV	2.5 kV
Connection Data			
rat.wiring solid AWGmax	0.08 mm <sup>2</sup> - 1.5 mm <sup>2</sup> / AWG 28 - AWG 16		
rat.wiring strand.AWGmax	0.08 mm <sup>2</sup> - 1.5 mm <sup>2</sup> / AWG 28 - AWG 16		
Approvals			
 V / A / AWG	150 / 8 / 28 - 16		
 1.5 mm <sup>2</sup>	130 V / 2.5 kV / 8 A		
Material			
insulating material	PA66		
flammability class	V0		
spring material	Spring steel		
contact material	CuSn		
contact surface	Sn		
Glow-Wire Flammability GWFI	960 °C acc. to IEC 60695-2-12		
Glow-Wire Flammability GWIT	775 °C acc. to IEC 60695-2-13		
Climatic Data			
upper limit temperature	105 °C		
lower limit temperature	-40 °C		
General			
Tolerance	ISO 2768 -mH		



## Accessories

P/N	Designation
700268-01-0	F_Kodier sw
700268-0132	F_Kodier sw
700268-0194	F_Kodier sw

© 2019 METZ CONNECT - Technische Änderungen vorbehalten! Subject to modifications! Sous réserve de modifications techniques!

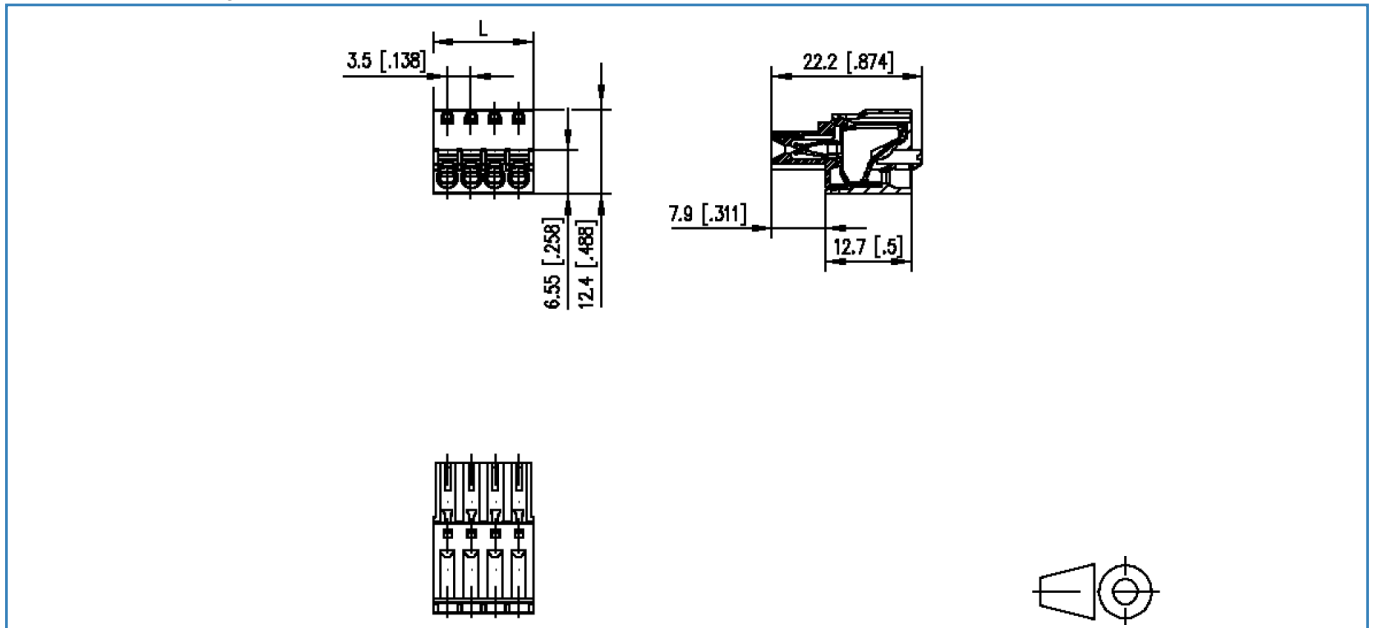


## Counterpart

P/N	Designation
315231	PW063xxHBBN Typ 523
315241	PW063xxVBBN Typ 524
315271	PW063xxHBEC Typ 527
315281	PW063xxVBEC Typ 528

**Illustrations**

Dimensional drawing



$L = (\text{pole size} - 1) \times \text{centerline} + 4.3 \text{ mm} [0.169]$

© 2019 METZ CONNECT - Technische Änderungen vorbehalten! Subject to modifications! Sous réserve de modifications techniques!