

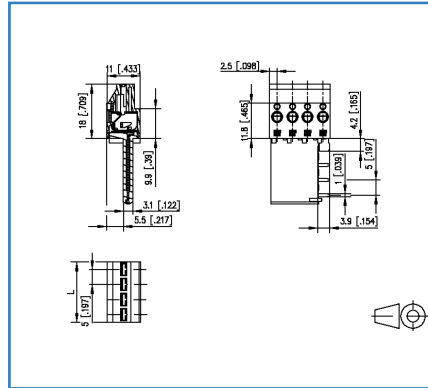
Data sheet

ST255XXHDNR

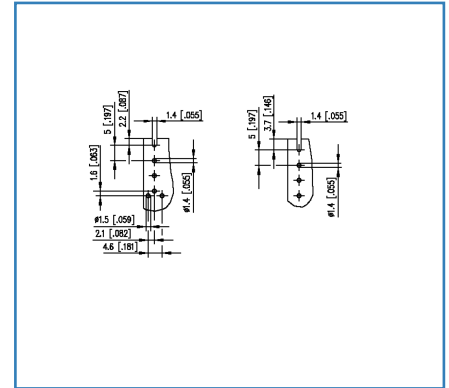
Illustrations



Dimensional drawing



Drill pattern





See enlarged drawings at the end of document

Product specification

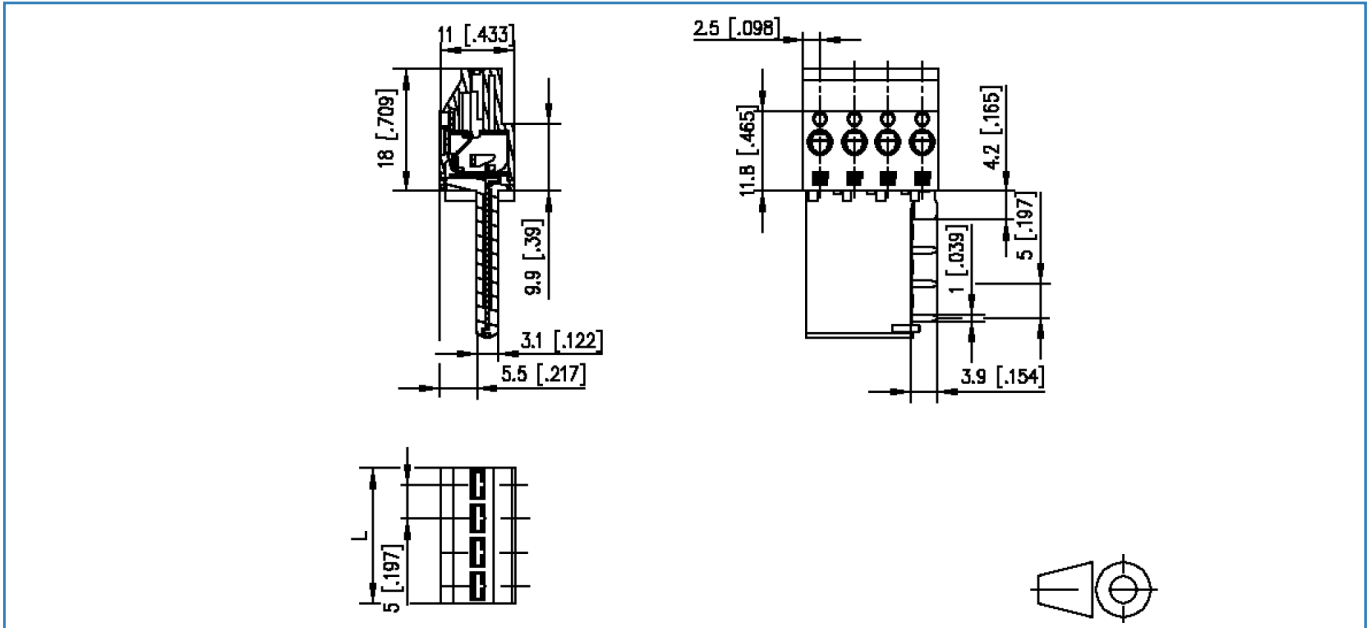
- spring clamp terminal block, solderable
- centerline 5.00 mm, direction of connection 90°
- color gray
- solder pins right-angled to the right

Technical Data

| General Data | | | |
|---------------------------------------------------------------------------------------------------------|-------------------------------------------------------------|-------|-------|
| Solder pin length | 3.6 mm | | |
| Min. number of poles | 2 | | |
| Max. number of poles | 4 | | |
| Insulating material class | CTI 600 | | |
| clearance/creepage dist. | 4 mm | | |
| Protection category | IP20 | | |
| Min. insul. strip length | 8 mm | | |
| Rated current | 19 A | | |
| Overvoltage category | III | III | II |
| Pollution degree | 3 | 2 | 2 |
| Rated voltage | 320 V | 800 V | 800 V |
| Rated test voltage | 4 kV | 4 kV | 4 kV |
| Anschlussdaten | | | |
| Rat.wiring solid AWGmax | 0.2 mm ² - 2.5 mm ² / AWG 24 - AWG 14 | | |
| Rat.wiring strand.AWGmax | 0.2 mm ² - 2.5 mm ² / AWG 24 - AWG 12 | | |
| Approvals | | | |
|  V / A / AWG | 300 / 17 / 24 - 12 | | |
| approval UL - File No. | E121004 | | |
|  2.5 mm ² | 250 V / 4 kV / 19 A | | |
| Material | | | |
| Insulating material | PA66/PPA | | |
| Flammability class | V0 | | |
| Spring material | Spring steel | | |
| Contact material | CuSn | | |
| Contact surface | Sn | | |
| REACH - substance (SVHC) | none | | |
| Climatic Data | | | |
| Upper limit temperature | 105 °C | | |
| Lower limit temperature | -40 °C | | |
| general | | | |
| Tolerance | ISO 2768 -mH | | |
| Solderability | Acc. to JEDEC JESD22-B102E 245°C/5s | | |

Illustrations

Dimensional drawing



$L = (\text{pole size} - 1) \times \text{centerline} + 5 \text{ mm} [0.197]$

Illustrations

Drill pattern

