

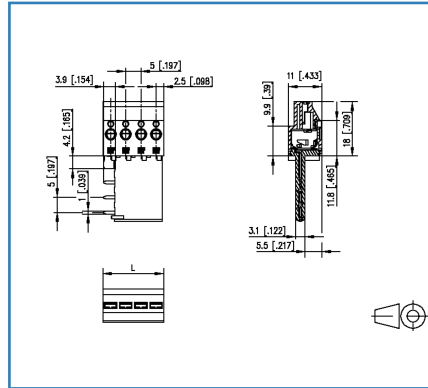
# Data sheet

## ST255XXHBNL

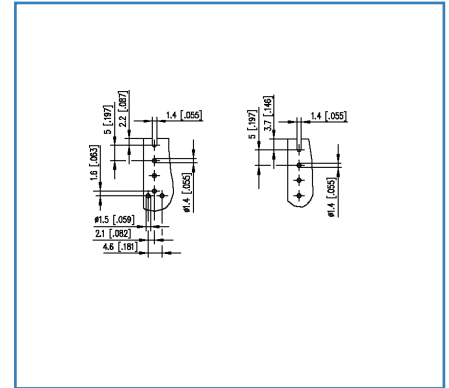
### Illustrations



Dimensional drawing



Drill pattern





See enlarged drawings at the end of document

### Product specification

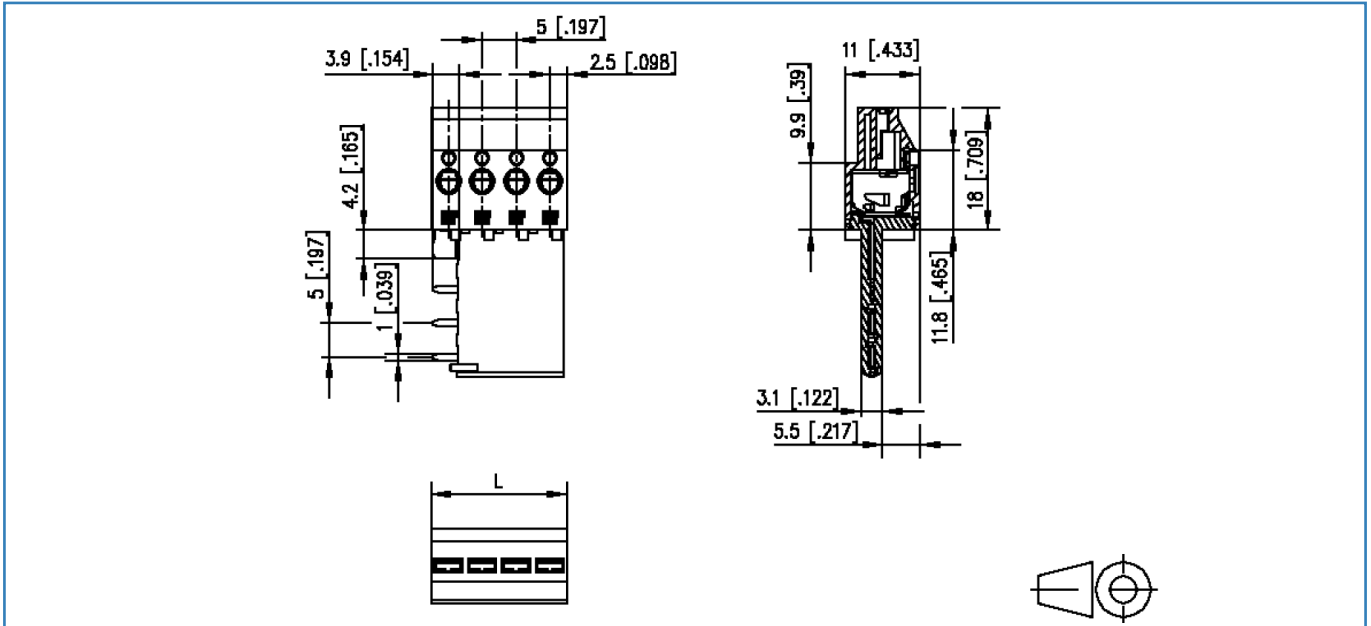
- spring clamp terminal block, solderable
- centerline 5.00 mm, direction of connection 90°
- color black
- solder pins right-angled to the left

## Technical Data

General Data			
Solder pin length	3.6 mm		
Min. number of poles	2		
Max. number of poles	4		
Insulating material class	CTI 600		
clearance/creepage dist.	4 mm		
Protection category	IP20		
Min. insul. strip length	8 mm		
Rated current	19 A		
Overvoltage category	III	III	II
Pollution degree	3	2	2
Rated voltage	320 V	800 V	800 V
Rated test voltage	4 kV	4 kV	4 kV
Anschlussdaten			
Rat.wiring solid AWGmax	0.2 mm <sup>2</sup> - 2.5 mm <sup>2</sup> / AWG 24 - AWG 14		
Rat.wiring strand.AWGmax	0.2 mm <sup>2</sup> - 2.5 mm <sup>2</sup> / AWG 24 - AWG 12		
Approvals			
 V / A / AWG	300 / 17 / 24 - 12		
approval UL - File No.	E121004		
 2.5 mm <sup>2</sup>	250 V / 4 kV / 19 A		
Material			
Insulating material	PA66/PPA		
Flammability class	V0		
Spring material	Spring steel		
Contact material	CuSn		
Contact surface	Sn		
REACH - substance (SVHC)	none		
Climatic Data			
Upper limit temperature	105 °C		
Lower limit temperature	-40 °C		
general			
Tolerance	ISO 2768 -mH		
Solderability	Acc. to JEDEC JESD22-B102E 245°C/5s		

**Illustrations**

Dimensional drawing



$L = (\text{pole size} - 1) \times \text{centerline} + 5 \text{ mm } [0.197]$

**Illustrations**

Drill pattern

