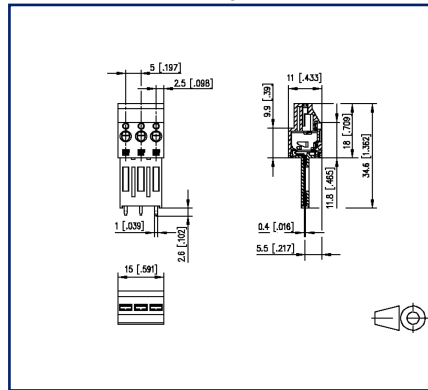


Data sheet
ST25503HBNN, 3-pole

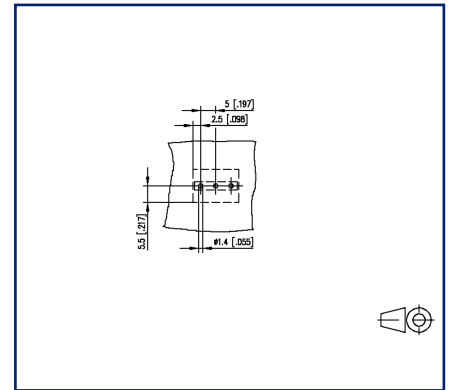
Illustrations



Dimensional drawing



Drill pattern





See enlarged drawings at the end of document

Product specification

- spring clamp terminal block, THT solderable
- centerline 5.00 mm, direction of connection 90°
- fittable without loss of poles
- color black

Technical Data

General Data			
Solder pin length	2.6 mm		
pole size	3		
Insulating material class	CTI 600		
clearance/creepage dist.	4 mm		
Protection category	IP20		
Min. insul. strip length	8 mm		
Rated current	19 A		
Overvoltage category	III	III	II
Pollution degree	3	2	2
Rated voltage	320 V	800 V	800 V
Rated test voltage	4 kV	4 kV	4 kV
Terminal data			
rat.wiring solid AWGmax	0.2 mm ² - 2.5 mm ² / AWG 24 - AWG 14		
rat.wiring strand.AWGmax	0.2 mm ² - 2.5 mm ² / AWG 24 - AWG 12		
Approvals			
 V / A / AWG	300 / 17 / 24 - 12		
approval UL - File No.	E121004		
 2.5 mm ²	250 V / 4 kV / 19 A		
Material			
insulating material	PA66/PPA		
flammability class	V0		
spring material	Spring steel		
contact material	CuSn		
Contact surface	Sn		
REACH	compliant		
REACH - substance (SVHC)	none		
Climatic Data			
upper limit temperature	105 °C		
lower limit temperature	-40 °C		
general			
Tolerance	ISO 2768 -mH		
Solderability	Acc. to JEDEC JESD22-B102E 245°C/5s		

U | Contact

Data sheet
ST25503HBNN, 3-pole

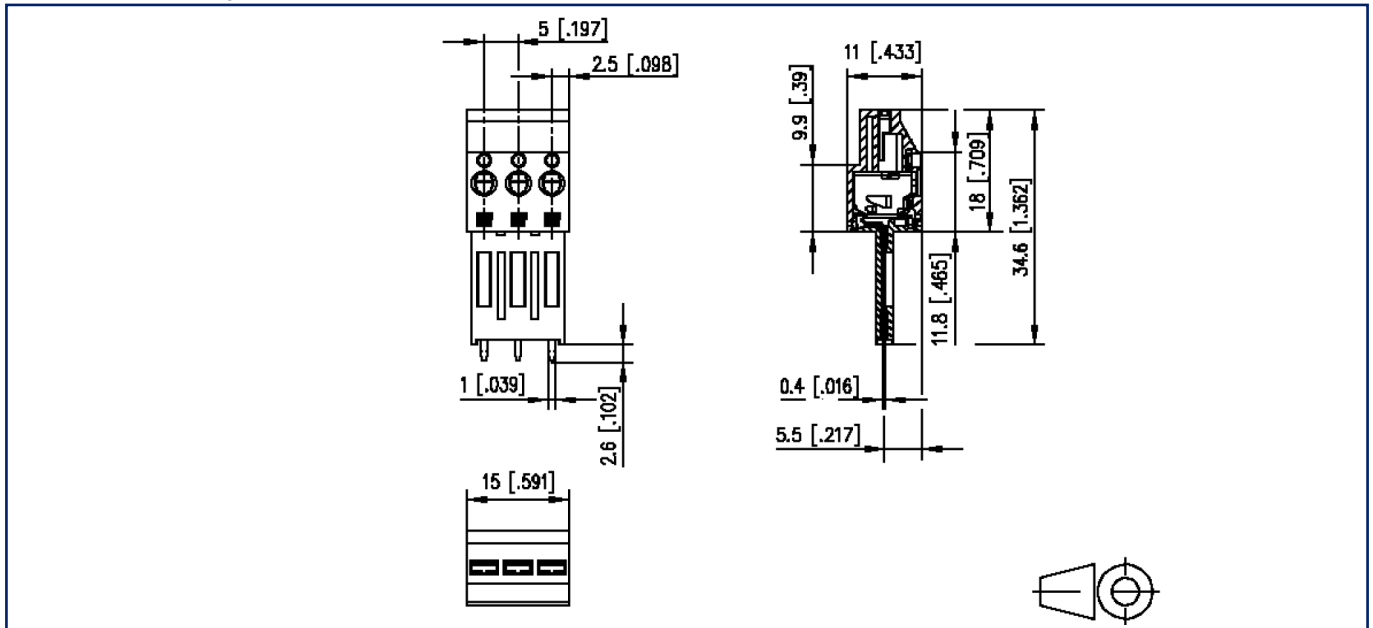
Page 3/4

P/N
ST25503HBNN

2022/04/05
 Version: A

Illustrations

Dimensional drawing



$L = (\text{pole size} - 1) \times \text{centerline} + 5 \text{ mm} [0.197]$

Illustrations

Drill pattern

